

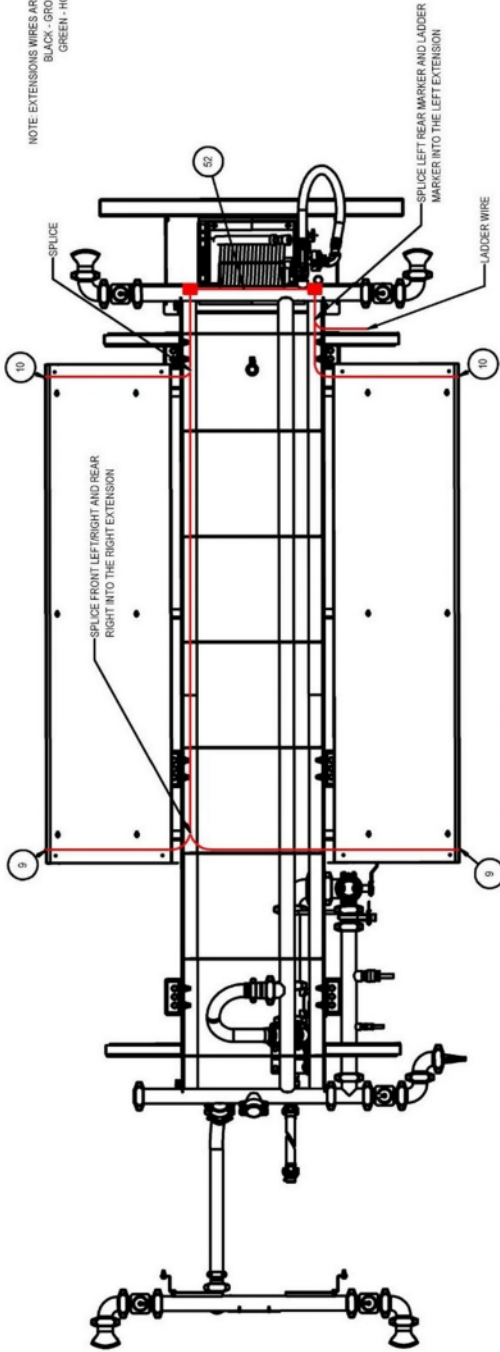
Water Truck On Road PTO Drive Schematics

Water Tank 4k Gal Gen IV – Electric Diagram SCH1-1	Page 2
Water Tank 4k Gal Gen IV – Airline Diagram SCH1-2	Page 3
Air Compressor Wiring/Air Connection SCH2-1	Page 4
Water Truck Harness/Wiring Diagram SCH3-1	Page 5
Water Truck Harness/Wiring Diagram SCH3-2	Page 6
Allison Transmission, PTO Wiring, Water Truck SCH4-1	Page 7
Allison PTO Wiring, Automatic Transmission SCH4-2	Page 8
Mack MD PTO Wiring SCH5-1	Page 9
Mack Water, Stationary Throttle SCH5-2	Page 10
Ford F650 Water Truck Wiring Diagram SCH6-1	Page 11
Ford F650 & F750 Wire Harness Schematic SCH6-2	Page 12
Ford 2 on 2 Compressor Layout SCH7-1	Page 13
Elkhart Nitro Joystick Electric SCH8-1	Page 14
Elkhart Nitro Position Sensor SCH8-2	Page 15
Elkhart Nitro Monitor Harness SCH8-3	Page 16
Elkhart Nitro Connector Pin Diagram SCH8-4	Page 17

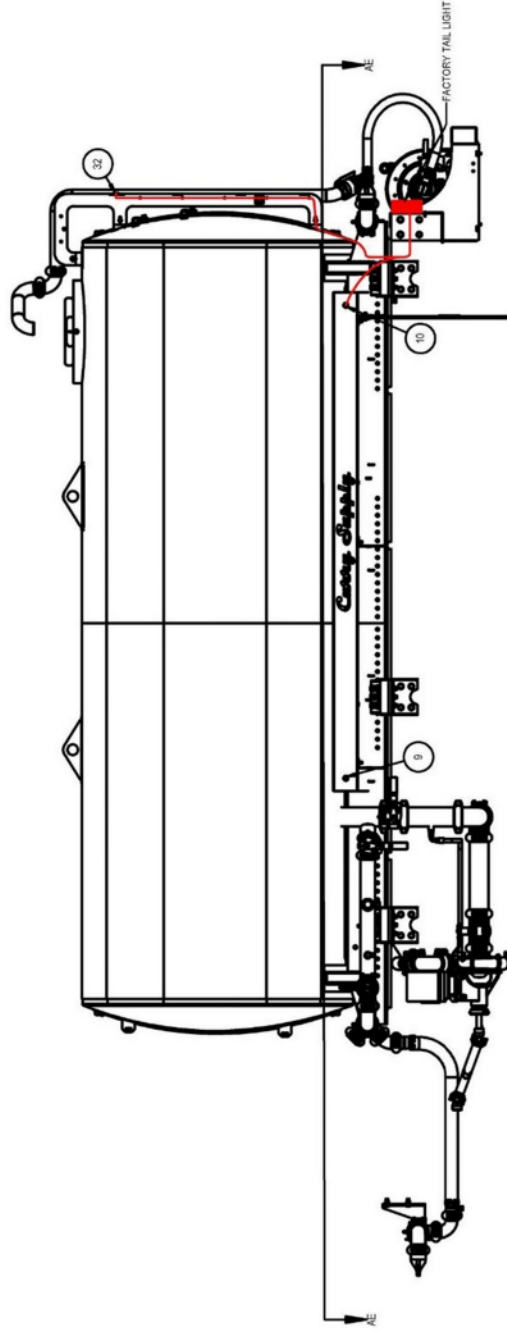
CAUTION

PLEASE CONTACT CURRY SUPPLY COMPANY BEFORE ATTEMPTING ANY CHANGES TO THE ELECTRICAL SYSTEMS. DOING SO MAY CAUSE EQUIPMENT DAMAGE OR VOID WARRANTY.

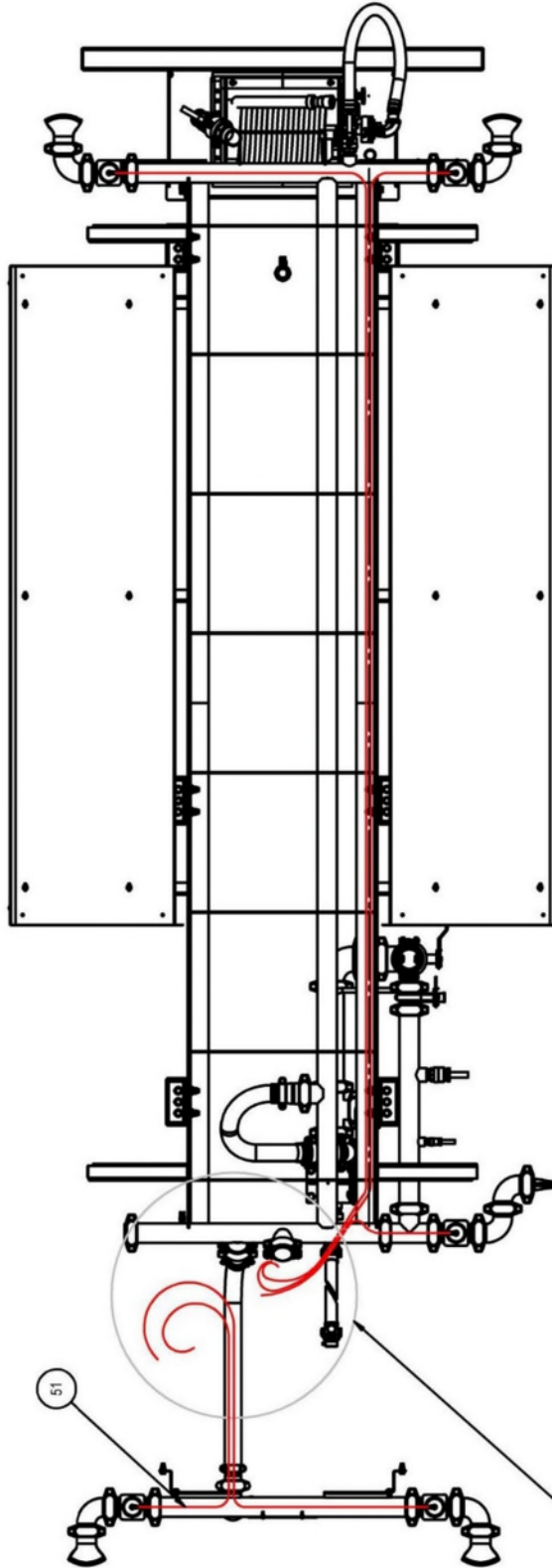
NOTE: EXTENSIONS WIRES ARE BLACK AND GREEN.
BLACK - GROUND
GREEN - HOT



1/4" AIR LINE SCHEMATIC
SECTION A-A-E
SCALE 1:20



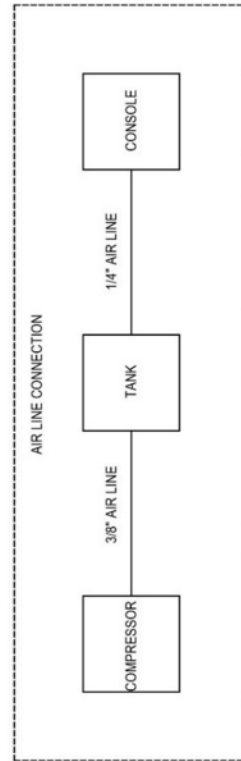
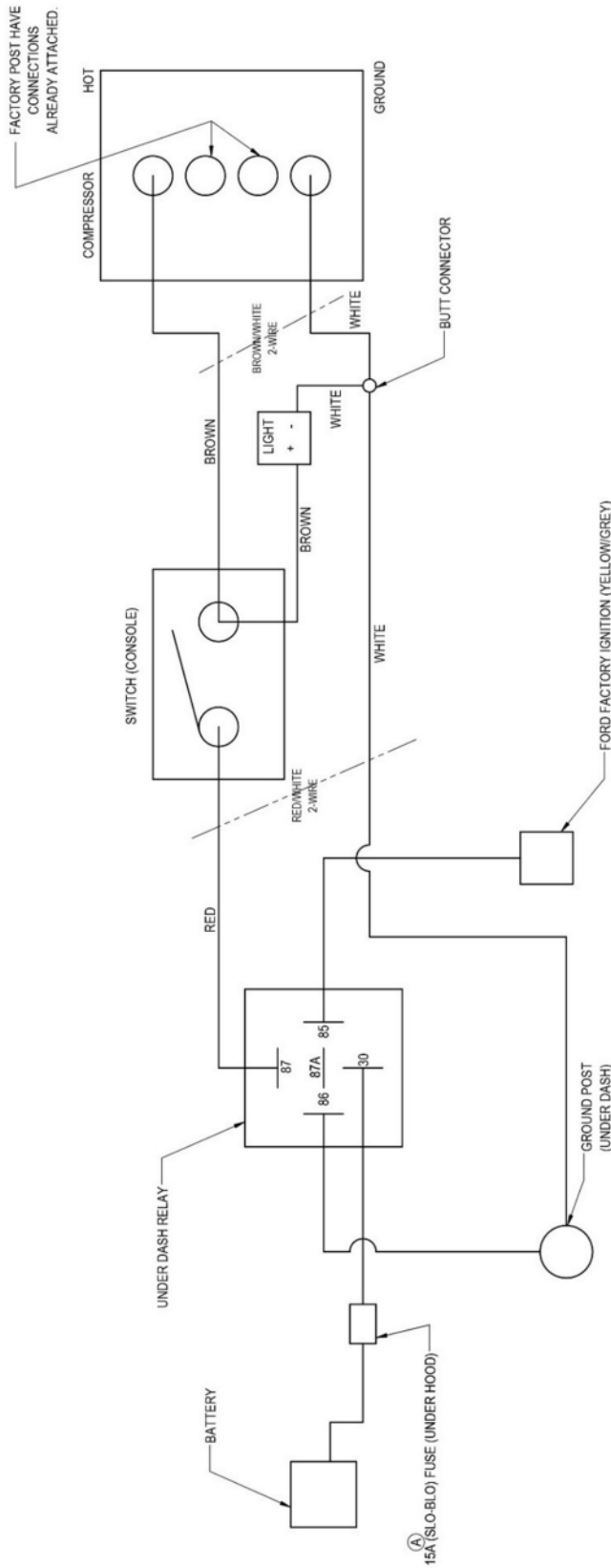
		NAME	DATE
		MLC	09/17/19
MODEL BY:	MLC	DRAWN BY:	MLC
ENG. APPR.		MFG. APPR.	
COMMENTS:		O.A.	
<p>CONTROLLED DOCUMENT</p> <p>PROPRIETARY AND CONFIDENTIAL THE INFORMATION CONTAINED IN THIS DRAWING IS THE SOLE PROPERTY OF CURRY SUPPLY COMPANY. ANY REPRODUCTION IN PART OR AS A WHOLE WITHOUT THE WRITTEN PERMISSION OF CURRY SUPPLY COMPANY IS PROHIBITED.</p>		TITLE: WATER TANK, 4,000 GAL. GEN IV - ELECTRIC DIAGRAM SIZE: PART NO. C 1815-1000 REV 0	
			SHEET 3 OF 5



1/4" AIR LINE DIAGRAM
SECTION L-L
SCALE 1:20

RUN LINES THROUGH THE BOTTOM OF THE CAB INTO THE CONTROL SWITCHES.
NOTE: DIFFERENT CHASSIS MODELS MAY HAVE DIFFERENT SWITCH LOCATIONS.
ENTER THE CAB AT THE BEST LOCATION FOR THE SWITCH LAYOUT THAT DOES NOT REQUIRE ANY SPLICING.

		NAME	DATE
MODEL BY:	MLC	MLC	09/17/19
DRAWN BY:	MLC	MLC	09/17/19
ENG APPR.			
MFG APPR.			
O.A.			
COMMENTS:			
<p>PROPRIETARY AND CONFIDENTIAL THE INFORMATION CONTAINED IN THIS DRAWING IS THE SOLE PROPERTY OF CURRY SUPPLY COMPANY. ANY REPRODUCTION IN PART OR AS A WHOLE WITHOUT THE WRITTEN PERMISSION OF CURRY SUPPLY COMPANY IS PROHIBITED.</p>			
TITLE: WATER TANK, 4,000 GAL. GEN IV - AIR LINE DIAGRAM		SIZE	REV
		B	0
		PART NO.	SHEET 2 OF 5
		1815-1000	



REVISIONS			
ZONE REV.	DESCRIPTION	DATE	APPROVED ECR #
B4	A	UPDATED FUSE SIZE AND TYPE	10/04/19 MLC N/A

Curry Supply Co.

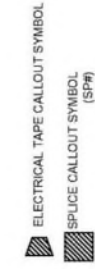
MODEL BY: MLC
 DRAWN BY: MLC 06/08/18
 ENG. APPR.
 MFG APPR.
 Q.A.

TITLE:
ON ROAD WATER AIR COMPRESSOR WIRING/AIR CONNECTION

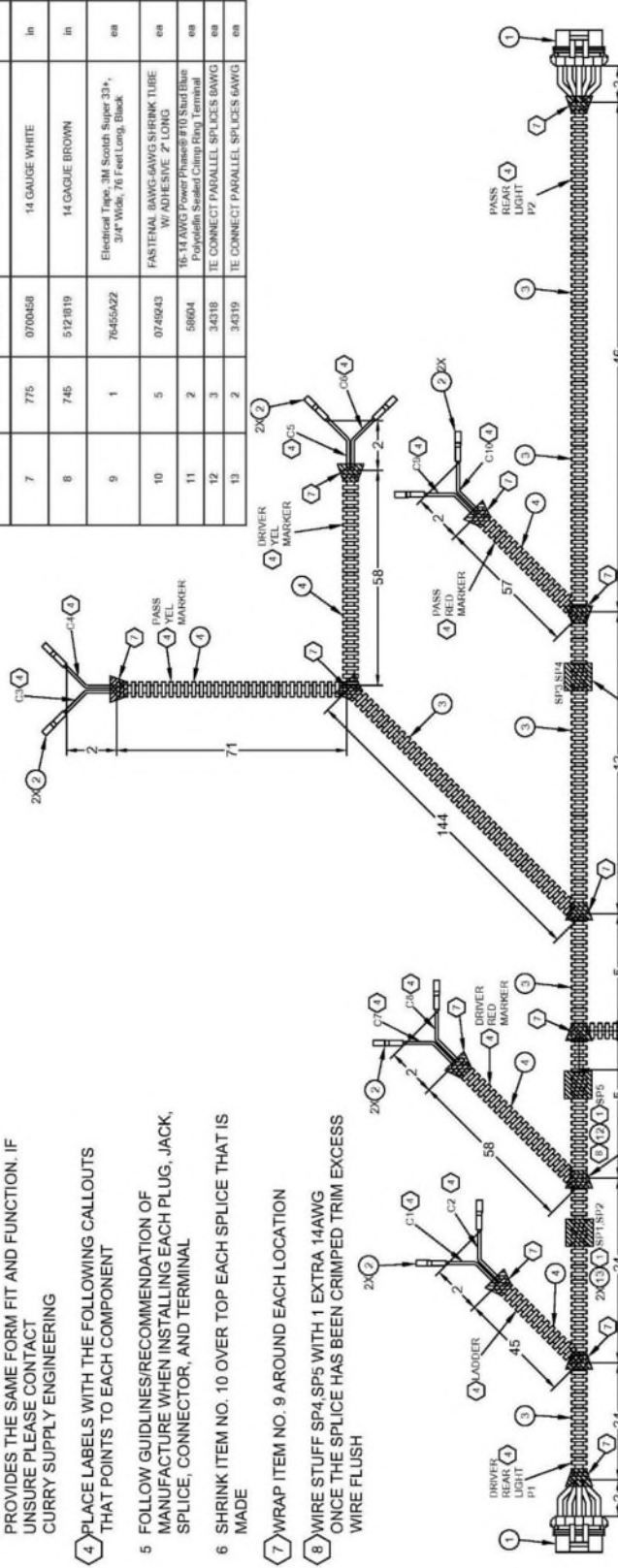
SIZE: **B** PART NO. **1630-1900** REV
 COMMENTS:
PROPRIETARY AND CONFIDENTIAL
 THE INFORMATION CONTAINED IN THIS DRAWING IS THE SOLE PROPERTY OF CURRY SUPPLY COMPANY. ANY REPRODUCTION IN PART OR AS A WHOLE WITHOUT THE WRITTEN PERMISSION OF CURRY SUPPLY COMPANY IS PROHIBITED.

SHEET 1 OF 1

Item No.	QTY.	Part No.	Stock Desc.	Units
1	2	ADD-PT1937	Connector 5-wire, 5 pin for Chevrolet Tall Light GM	ea
2	10	0747509	-157", 16-14 AWG, FEMALE BULLET CONNECTOR	ea
3	265	0708152	3/8" POLYETHYLENE SLIT WIRE LOOM	in
4	310	0708151	1/4" POLYETHYLENE SLIT WIRE LOOM	in
5	140	0700457	14 GAUGE RED	in
6	125	0710096	14 GAUGE GREEN	in
7	775	0700458	14 GAUGE WHITE	in
8	745	5121819	14 GAUGE BROWN	in
9	1	76455A22	Electrical Tape, 3M Scotch Super 33+, 3/4" Wide, 76 Feet Long, Black	ea
10	5	0748243	FASTENAL BAWG-GAWG SHRINK TUBE W/ ADHESIVE 2" LONG	ea
11	2	58604	16-14 AWG PowerPhase® FTQ Stout (Blue Polyolefin Sealed Clamp Ring Terminal	ea
12	3	34318	TE CONNECT PARALLEL SPLICES BAWG	ea
13	2	34319	TE CONNECT PARALLEL SPLICES GAWG	ea

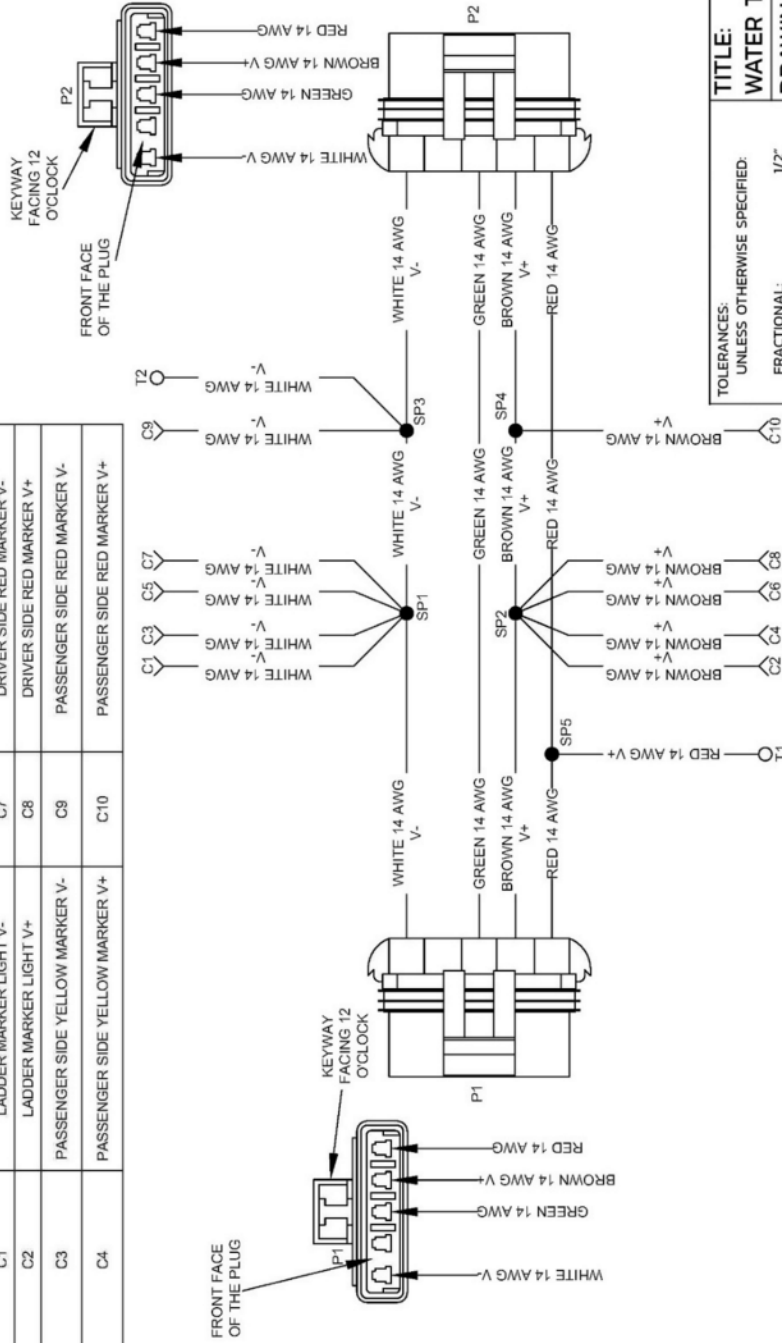


- NOTES:**
 REFERENCE DOCUMENT:
 -BUILD CABLE HARNESS IN ACCORDANCE WITH IPC-620
 1. SPLICING WIRES SHALL BE DONE AN 1-1/2 BEFORE BREAKING OUT THE HARNESS
2. ITEM NO. 5-10,12,13 NOT SHOWN IN ASSEMBLY
3. ALTERNATE PART NO. ARE ALLOWED AS LONG AS THE ALTERNATE PART PROVIDES THE SAME FORM FIT AND FUNCTION. IF UNSURE PLEASE CONTACT CURRY SUPPLY ENGINEERING
4. PLACE LABELS WITH THE FOLLOWING CALLOUTS THAT POINTS TO EACH COMPONENT
5. FOLLOW GUIDELINES/RECOMMENDATION OF MANUFACTURE WHEN INSTALLING EACH PLUG, JACK, SPLICE, CONNECTOR, AND TERMINAL
6. SHRINK ITEM NO. 10 OVER TOP EACH SPLICE THAT IS MADE
7. WRAP ITEM NO. 9 AROUND EACH LOCATION
8. WIRE STUFF SP4,SP5 WITH 1 EXTRA 14AWG ONCE THE SPLICE HAS BEEN CRIMPED TRIM EXCESS WIRE FLUSH



TOLERANCES: UNLESS OTHERWISE SPECIFIED: FRACTIONAL: 1/2" ANGULAR: 1° TWO PLACE DECIMAL: .01" THREE PLACE DECIMAL: .005"		TITLE: WATER TRUCK HARNESS / WD
PROPRIETARY AND CONFIDENTIAL		DRAWING NO: 2187-1004
THE INFORMATION CONTAINED IN THIS DRAWING IS THE PROPERTY OF CURRY SUPPLY CO. ANY REPRODUCTION IN PART OR AS A WHOLE WITHOUT THE WRITTEN PERMISSION OF CURRY SUPPLY CO IS PROHIBITED.		UNITS: INCHES
		SCALE: NTS
		MODEL BY: JS 01/24/23
		DRAWN BY: JS 01/24/23

LABEL	DESCRIPTION	LABEL	DESCRIPTION
P1	DRIVER REAR TAIL LIGHT	C5	DRIVER SIDE YELLOW MARKER V-
P2	HARNESS TIE IN	C6	DRIVER SIDE YELLOW MARKER V+
C1	LADDER MARKER LIGHT V-	C7	DRIVER SIDE RED MARKER V-
C2	LADDER MARKER LIGHT V+	C8	DRIVER SIDE RED MARKER V+
C3	PASSENGER SIDE YELLOW MARKER V-	C9	PASSENGER SIDE RED MARKER V-
C4	PASSENGER SIDE YELLOW MARKER V+	C10	PASSENGER SIDE RED MARKER V+



TITLE:		WATER TRUCK HARNESS/WD	
DRAWING NO.:		2187-1004	
REV.:		O	
UNITS:	INCHES	SCALE:	NTS
MODEL BY:	JS	DATE:	01/24/23
DRAWN BY:	JS	DATE:	01/24/23
TOLERANCES: UNLESS OTHERWISE SPECIFIED: FRACTIONAL: 1/2" ANGULAR: 1° TWO PLACE DECIMAL: .01" THREE PLACE DECIMAL: .005" PROPRIETARY AND CONFIDENTIAL THE INFORMATION CONTAINED IN THIS DRAWING IS THE SOLE PROPERTY OF CURRY SUPPLY CO. ANY REPRODUCTION IN PART OF AS A WHOLE WITHOUT THE WRITTEN PERMISSION OF CURRY SUPPLY CO IS PROHIBITED.			

1000/2000 SERIES (2K)

12 PIN CONNECTOR

INPUT: WIRE 143

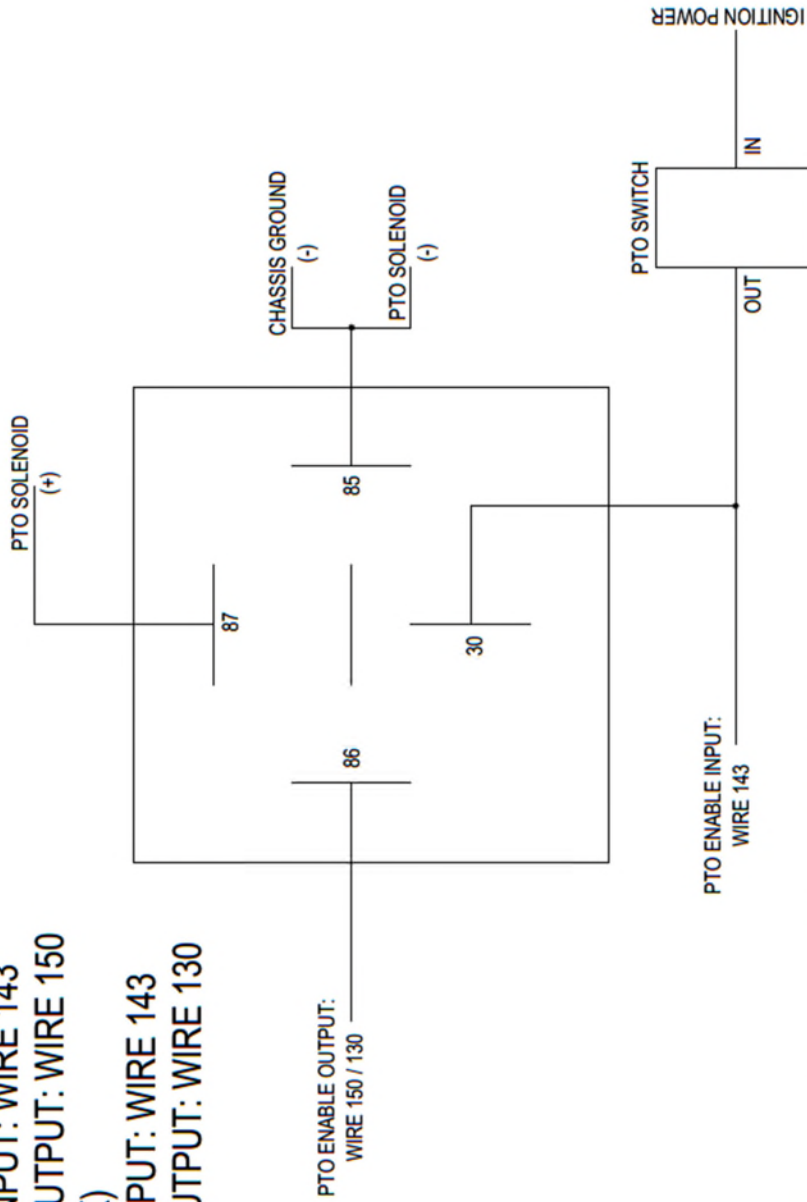
OUTPUT: WIRE 150

3000/4000 SERIES (2K / 4K)

12 PIN CONNECTOR

INPUT: WIRE 143

OUTPUT: WIRE 130



NOTE: RELAY IS MOUNTED UNDER THE HOOD ON THE FIREWALL.

JOB NUMBER		UNLESS OTHERWISE SPECIFIED:		NAME	DATE
PART NO.		DIMENSIONS ARE IN INCHES		MODEL BY:	
QUANTITY		TOLERANCES: FRACTIONAL: 1/8"		DRAWN BY:	02/19/20
CUSTOMER		ANGULAR: MACH: BEND ± 1°		ENG APPR.	
DESIGN STATUS		THREE PLACE DECIMAL ± .01		MFG APPR.	
THICKNESS		ALL TOLERANCES ARE ± 1/8" UNLESS NOTED.		Q.A.	
UNITS		MATERIAL		COMMENTS:	
APPLICATION		Process		TITLE: PTO WIRING, ALLISON TRANSMISSION, WATER TRUCK	
DO NOT SCALE DRAWING		DO NOT SCALE DRAWING		SIZE	REV
5		4		A	1630-2900
3		2		SHEET 1 OF 2	
1		1			

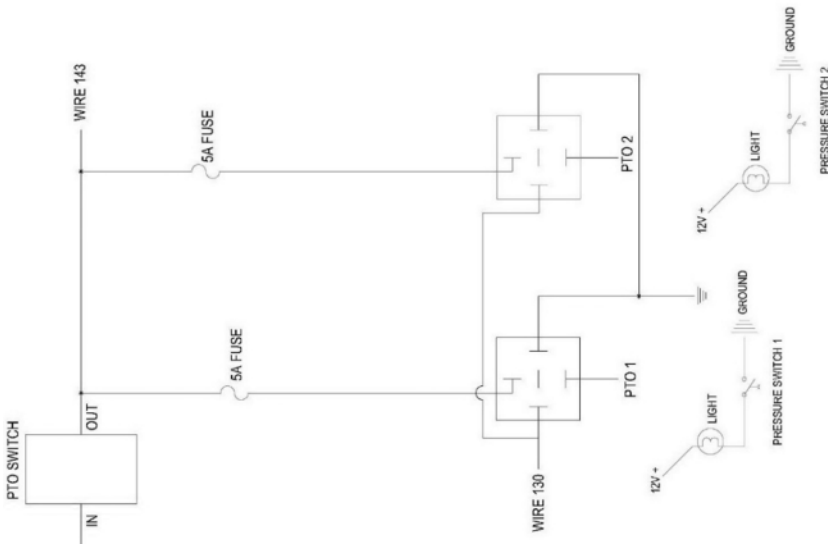


CONTROLLED DOCUMENT

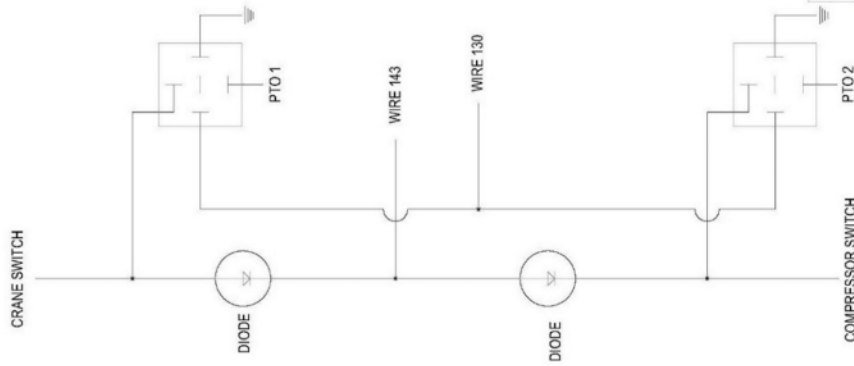
ENGINEER:
DATE:

PROPRIETARY AND CONFIDENTIAL
THE INFORMATION CONTAINED IN THIS DRAWING IS THE SOLE PROPERTY OF CURRY SUPPLY COMPANY. ANY REPRODUCTION IN PART OR AS A WHOLE WITHOUT THE WRITTEN PERMISSION OF CURRY SUPPLY COMPANY IS PROHIBITED.

DUEL PTO
ALLISON AUTO
1-SWITCH



DUEL PTO
ALLISON AUTO
2-SWITCH



DIODE ASSEMBLY
21698

FEMALE BLADE



EYELET

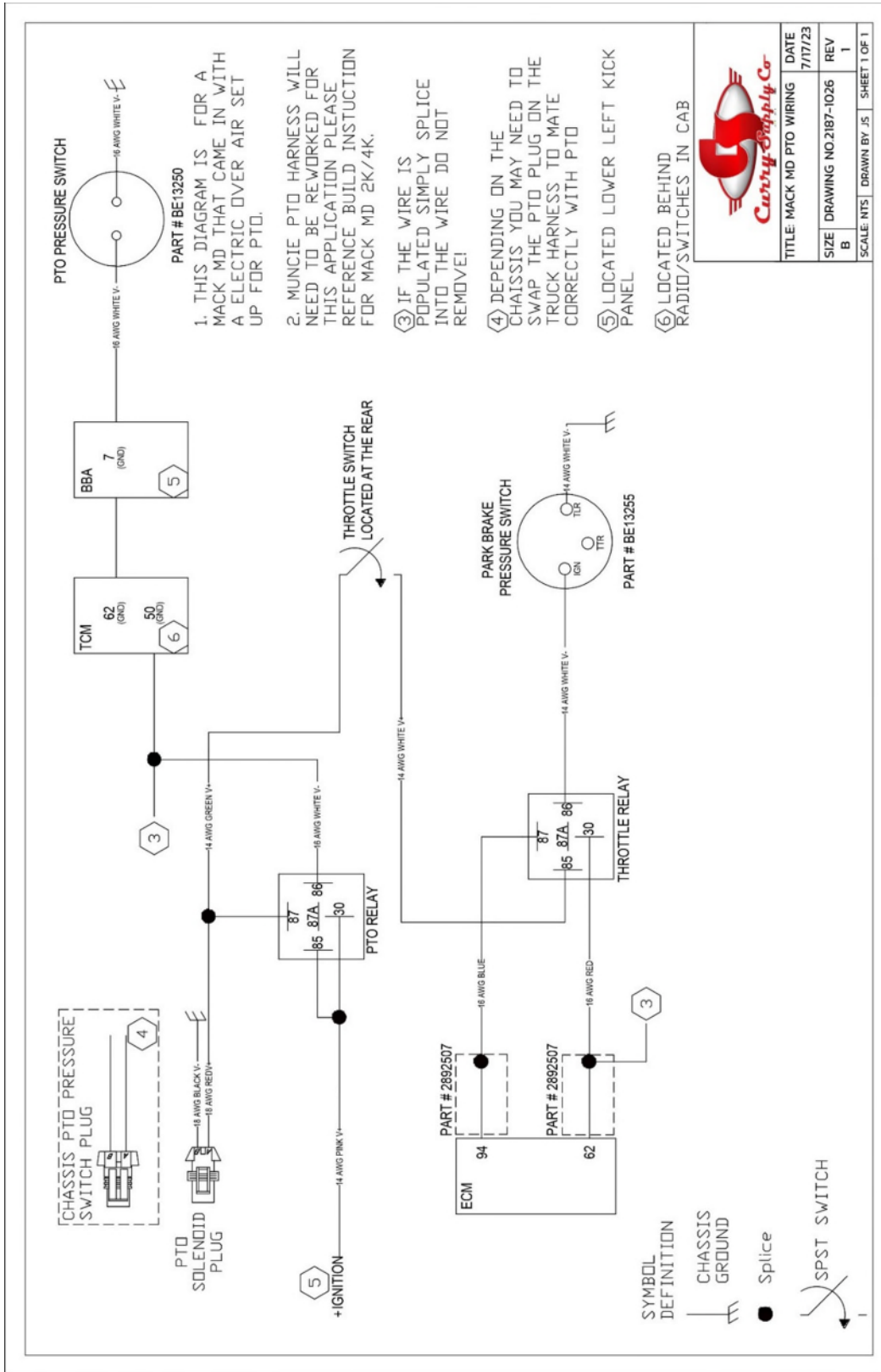
Curry Supply Co

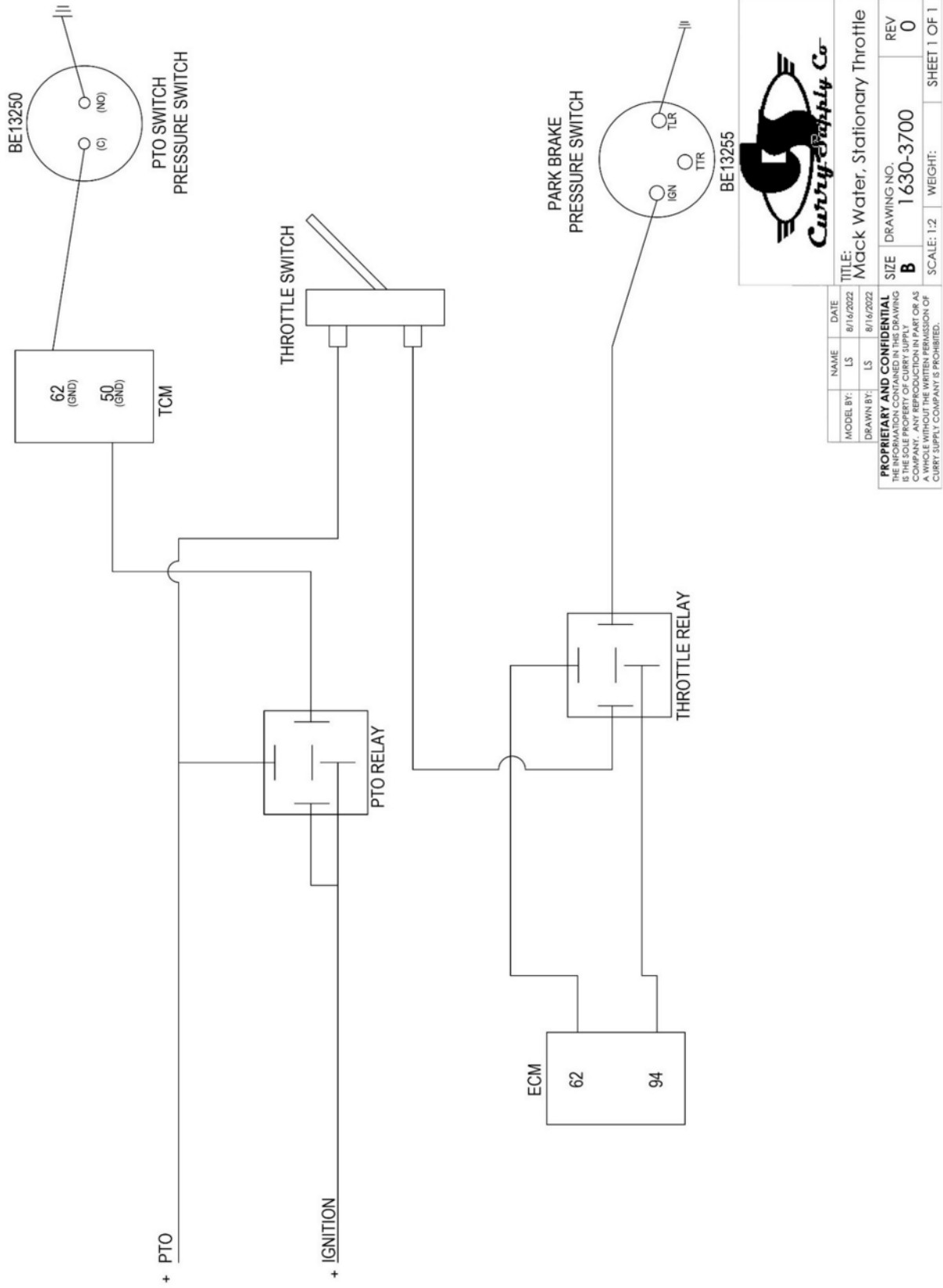
TITLE:	ALLISON PTO WIRING
SIZE:	AUTOMATIC TRANSMISSION
REV:	1630-2900
DRAWN BY:	MLC 2/21/20

CONTROLLED DOCUMENT

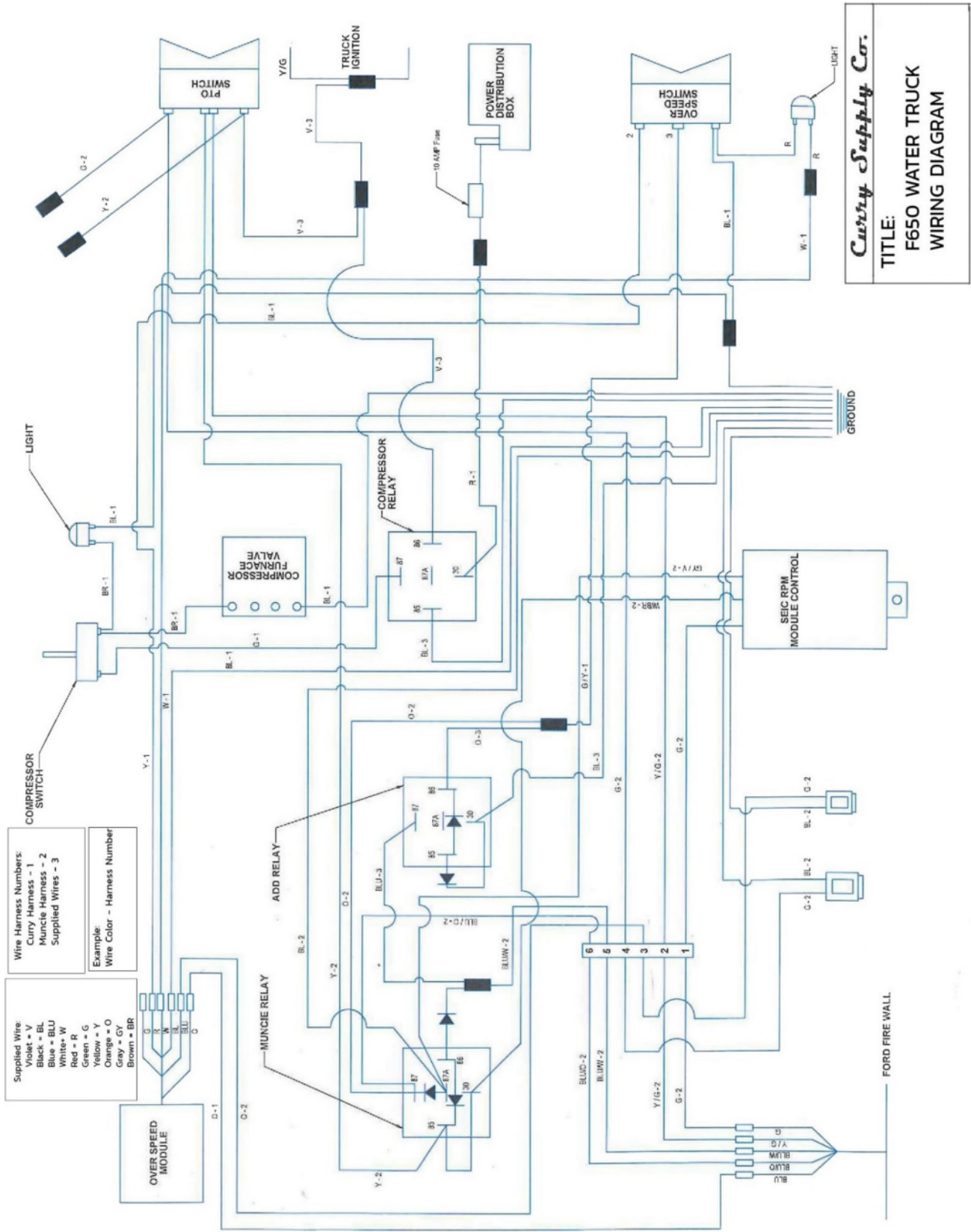
PROPRIETARY AND CONFIDENTIAL

THE INFORMATION CONTAINED IN THIS DRAWING IS THE SOLE PROPERTY OF CURRY SUPPLY COMPANY. ANY REPRODUCTION IN PART OR AS A WHOLE WITHOUT THE WRITTEN PERMISSION OF CURRY SUPPLY COMPANY IS PROHIBITED.



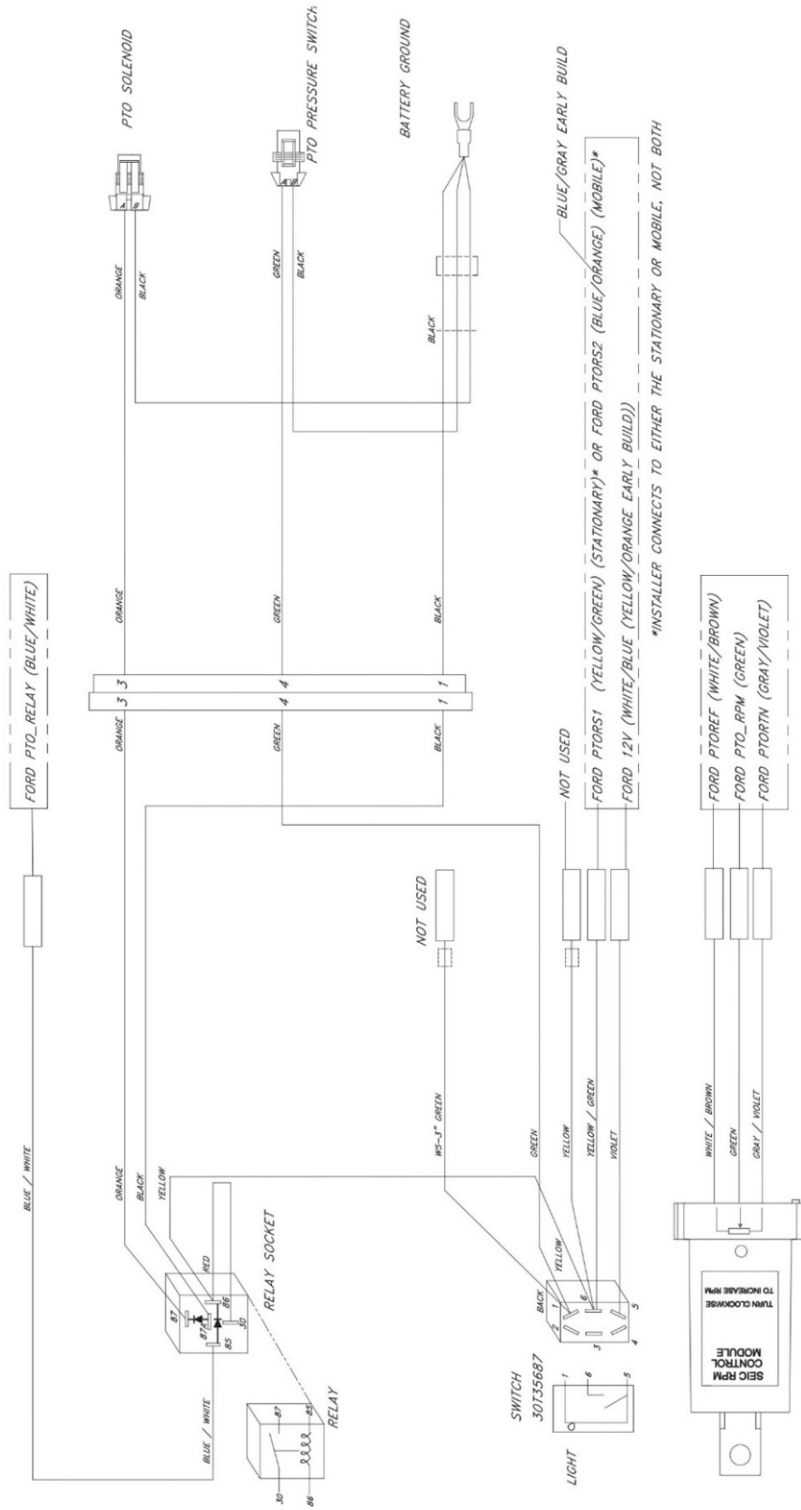


MODEL BY:	LS	DATE	8/16/2022
DRAWN BY:	LS	DATE	8/16/2022
PROPRIETARY AND CONFIDENTIAL			
<small>THE INFORMATION CONTAINED IN THIS DRAWING IS THE SOLE PROPERTY OF CURRY SUPPLY COMPANY. ANY REPRODUCTION IN PART OR AS A WHOLE WITHOUT THE WRITTEN PERMISSION OF CURRY SUPPLY COMPANY IS PROHIBITED.</small>			
Curry Supply Co		TITLE: Mack Water, Stationary Throttle	
SIZE	DRAWING NO.	REV	
B	1630-3700	0	
SCALE: 1:2	WEIGHT:	SHEET 1 OF 1	



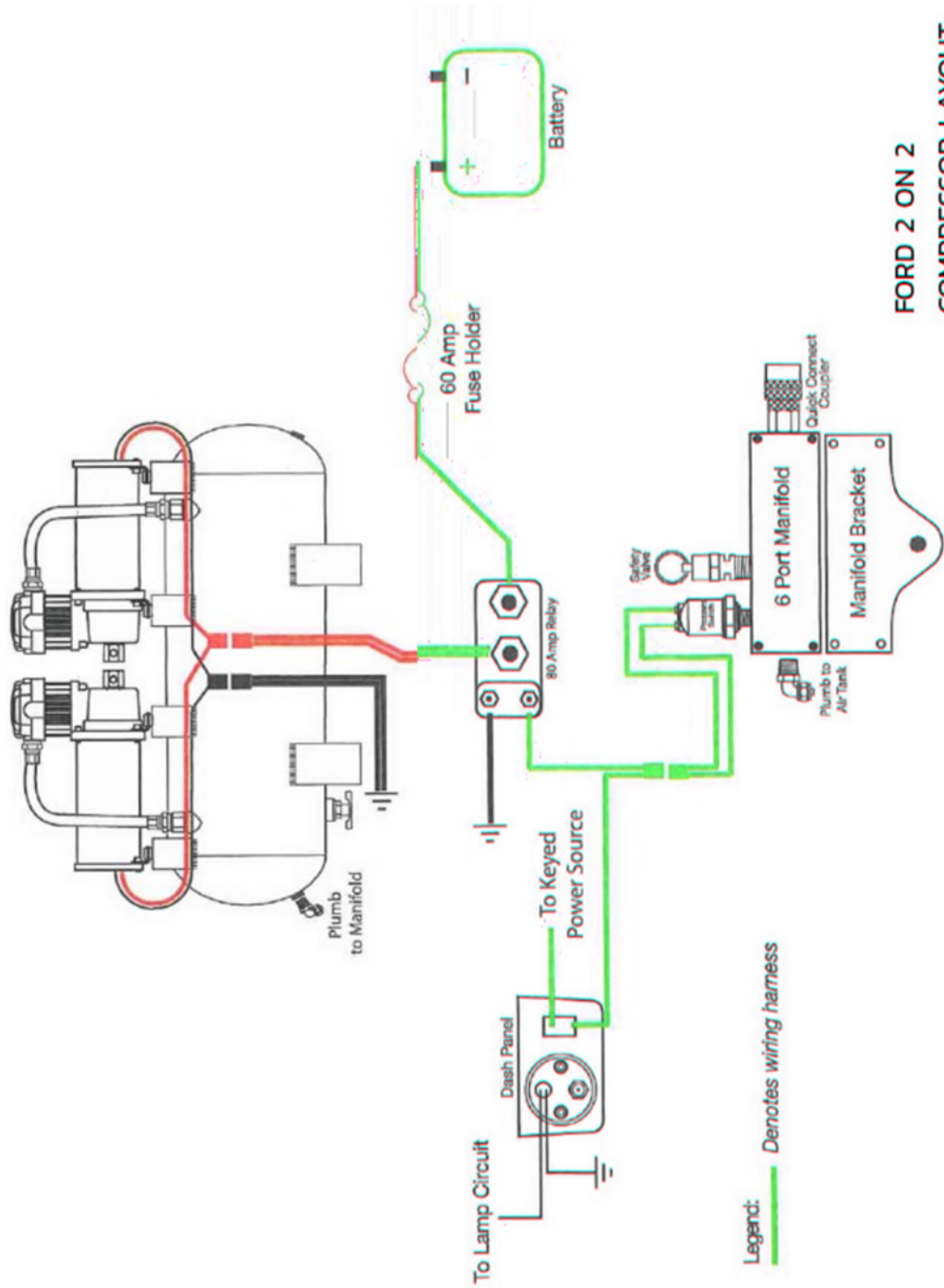
Curry Supply Co.
TITLE:
F650 WATER TRUCK
WIRING DIAGRAM

FR6Q-F1209-D3*X Wire Harness Schematic - (34T41671) 2016 & Earlier F-250-F-550 Super Duty Diesel Stationary F-650/750 (2012-2015 with SEIC Controls) OR Mobile Mode Application

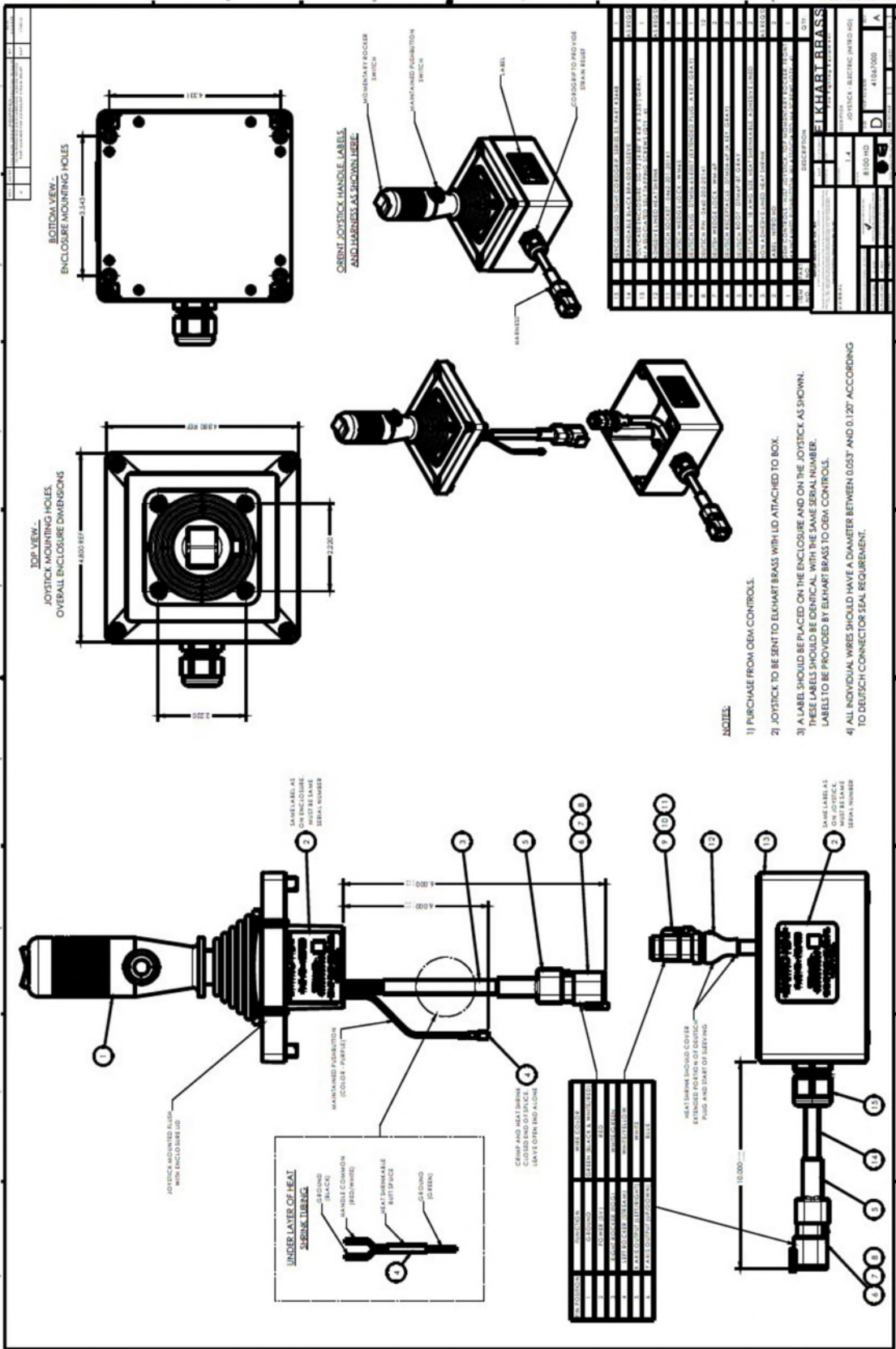


FR6Q1209D3*X WIRE HARNESS #34T41671 Wire Color, Pin#, Circuit # Reference (Mobile OR Stationary Mode)

Harness Wire Color	Circuit Intent	Ford Wire Tag	PCM Pin	Circuit No.	Ford Wire Color	
					Stationary Mode	Mobile Mode
Blue/White	Output	PTO_RELAY	C-11	CE326	Blue/White	Blue/White
Yellow/Green	Input (VPWR)	PTORS1/ PTORS2	C-06	CE912	Yellow/Green	Blue/Orange (Blue/Gray-Early Build)
White/Brown	Reference Voltage	PTOREF	C-55	LE434	White/Brown	White/Brown
Green	Input (Resistor)	PTO_RPM	C-08	CE914	Green	Green
Gray/Violet	PCM Ground	PTORTN	C-22	RE327	Gray/Violet	Gray/Violet
Violet	12Vdc Power				White/Blue (Yellow/Orange-Early Build)	White/Blue (Yellow/Orange-Early Build)



FORD 2 ON 2
COMPRESSOR LAYOUT



ELKHART BRASS

FIRE FIGHTING EQUIPMENT A SAFE FLEET BRAND

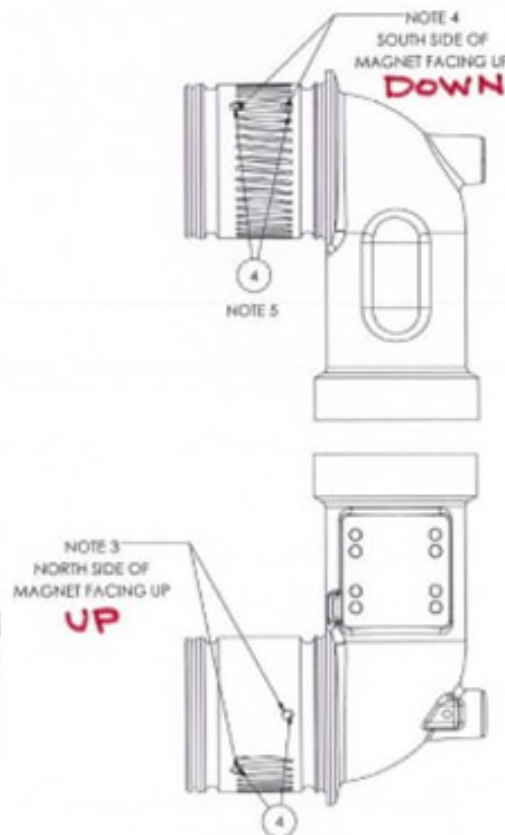
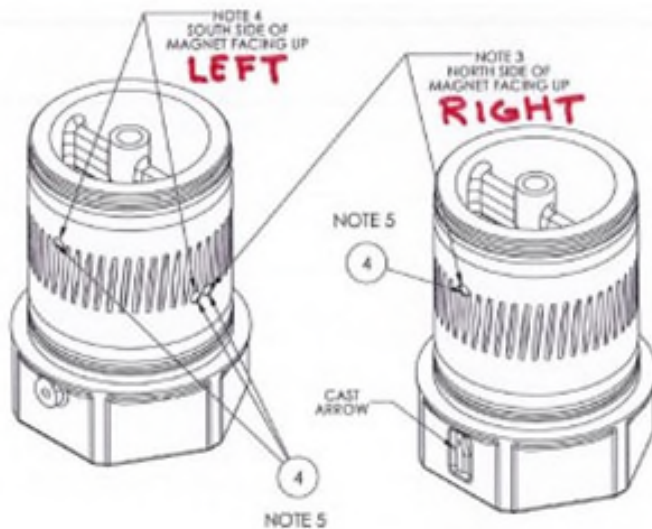
8100HD (Nitro HD) position sensor testing information

The position sensor used for controlling Vertical and Horizontal travel on the 8100HD (Nitro HD) is p/n 67566000.

- The sensors RED wire should have +5 volts on it.
- The sensors BLACK wire should be GROUND.
- The sensors GREEN wire should have;
 - Around +2.5v when no magnet is detected.
 - It should drop below +2.5 volts (around +1.5v) when detecting the North Pole of a magnet (RIGHT or UP).
 - It should go above +2.5 volts (around +3.5v) when detecting the South Pole of a magnet (LEFT or DOWN).

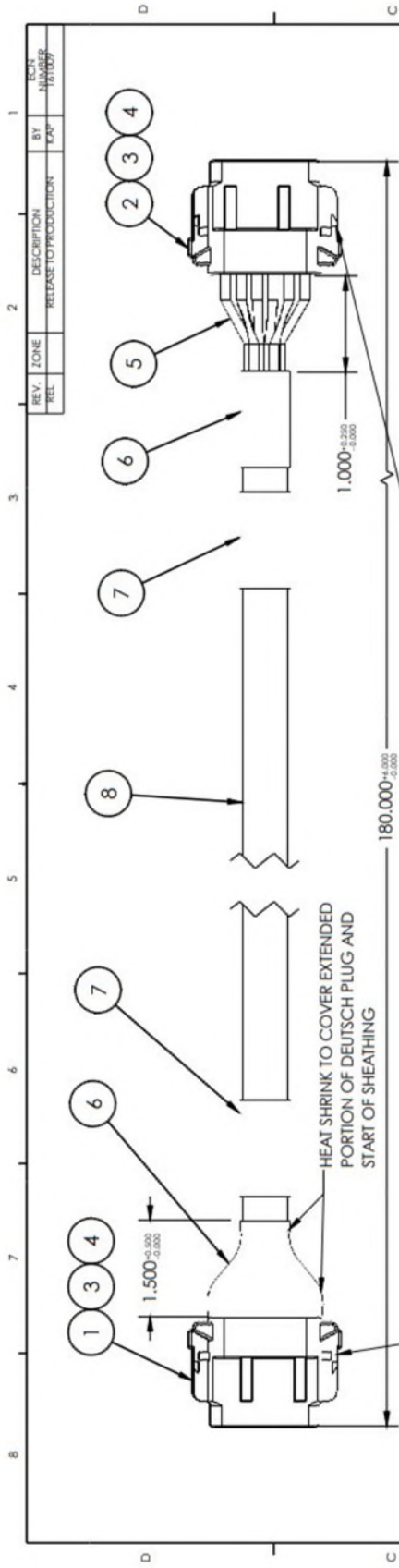
The magnets used on the 8100HD (Nitro HD) are p/n 46057000 and are positioned as follows.

- North Pole facing out for RIGHT and UP limits.
- South Pole facing out for LEFT and DOWN limits.



Last Revised 01/23/23

Elkhart Brass Mfg. Co., Inc. 1302 W. Beardsley Avenue • Elkhart, Indiana 46514 • 1-574-295-8330 • 1-800-346-0250
www.elkhartbrass.com



POSITION	WIRE COLOR	WIRE SIZE
1	RED	18 AWG
2	BLACK	18 AWG
3	BLUE	18 AWG
4	WHITE	18 AWG
5	ORANGE	18 AWG
6	GREEN	18 AWG
7	YELLOW	18 AWG
8	PURPLE	18 AWG
9	BROWN	18 AWG
10	RED/WHITE	18 AWG
11	BLACK/WHITE	18 AWG
12	BLUE/WHITE	18 AWG

POSITION	WIRE COLOR	WIRE SIZE
1	RED	18 AWG
2	BLACK	18 AWG
3	BLUE	18 AWG
4	WHITE	18 AWG
5	ORANGE	18 AWG
6	GREEN	18 AWG
7	YELLOW	18 AWG
8	PURPLE	18 AWG
9	BROWN	18 AWG
10	RED/WHITE	18 AWG
11	BLACK/WHITE	18 AWG
12	BLUE/WHITE	18 AWG

- NOTES:
- 1) HARNESS IS TO ACT AS AN EXTENSION OR JUMPER WIRE. DEUTSCH PLUGS SHOULD BE WIRED 1 TO 1, 2 TO 2, ETC.
 - 2) HARNESS TO BE APPROXIMATELY 15 FT IN LENGTH.
 - 3) WIRE/INSULATION DIAMETER TO BE BETWEEN 0.053" AND 0.120".
 - 4) HARNESS MANUFACTURER TO ENSURE THERE ARE NO OPENS, CROSSES, OR SHORTS FOR EACH CIRCUIT. A VERIFYING INSPECTION SHEET TO BE PROVIDED FOR EACH SHIPMENT. ALL CRIMPS SHALL COMPLY WITH TERMINAL MANUFACTURER'S GUIDELINES.

8	SLEEVING - EXPANDABLE, BLACK BRAIDED	AS REQ'D
7	IDENTIFICATION LABEL - MANUFACTURER, MFG DATE, P/N, REV	2
6	ADHESIVE LINED HEAT SHRINK, UV STABLE, RATED -40F TO +185F	AS REQ'D
5	SXL WIRE CU, 18-AWG HIGH TEMP 125 °C, VARIOUS COLORS	AS REQ'D
4	DEUTSCH LOCK, WM-125	2
3	SOLID CRIMP SOCKET CONTACT, DEUTSCH #0462-201-20141	24
2	DEUTSCH DTM06-12SC (DEUTSCH PLUG, C KEY, GREEN)	1
1	DEUTSCH DTM06-12SB-E007 (EXTENDED DEUTSCH PLUG, B KEY, BLACK)	1
ITEM NO.	P/N	QTY.
	DESCRIPTION	

ELKHART BRASS Fire Fighting Equipment	
DATE: 11/21/2016 DRAWN BY: CAP CHECKED BY:	REVISION: 0.03 PART NUMBER: B SIZE: 8100 HD CAD NO.: 8100 HD MED. AND/OR PROJECTION:
DESCRIPTION: HARNESS - MODULE / MONITOR (15FT)	
MATERIAL: SEE NOTES FOR MATERIAL	
TOLERANCE UNLESS OTHERWISE SPECIFIED:	
3 PLACE DEC. ± 0.010"	4 PLACE DEC. ± 0.005"
ANGLES: ± 0.50 0°	
CAD MODEL: 37522000	

REV. ZONE	DESCRIPTION	BY	DATE
	RELEASE TO PRODUCTION	LOP	18/10/07

REV. ZONE	DESCRIPTION	BY	DATE
	RELEASE TO PRODUCTION	LOP	18/10/07

REV. ZONE	DESCRIPTION	BY	DATE
	RELEASE TO PRODUCTION	LOP	18/10/07

REV. ZONE	DESCRIPTION	BY	DATE
	RELEASE TO PRODUCTION	LOP	18/10/07

REV. ZONE	DESCRIPTION	BY	DATE
	RELEASE TO PRODUCTION	LOP	18/10/07

