

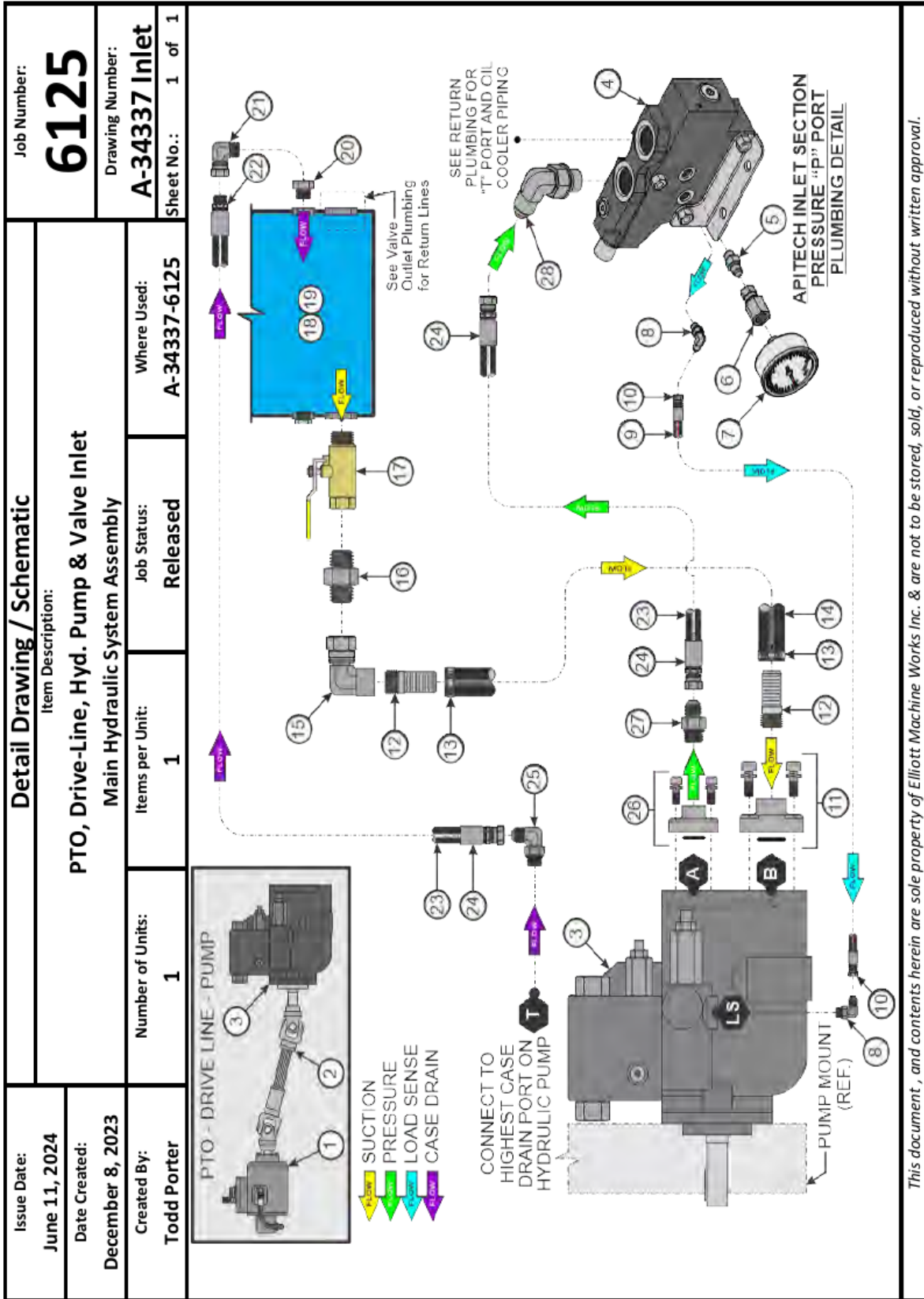
14-Jan-25

Lube Truck PM Service Hydraulic Drive Schematics

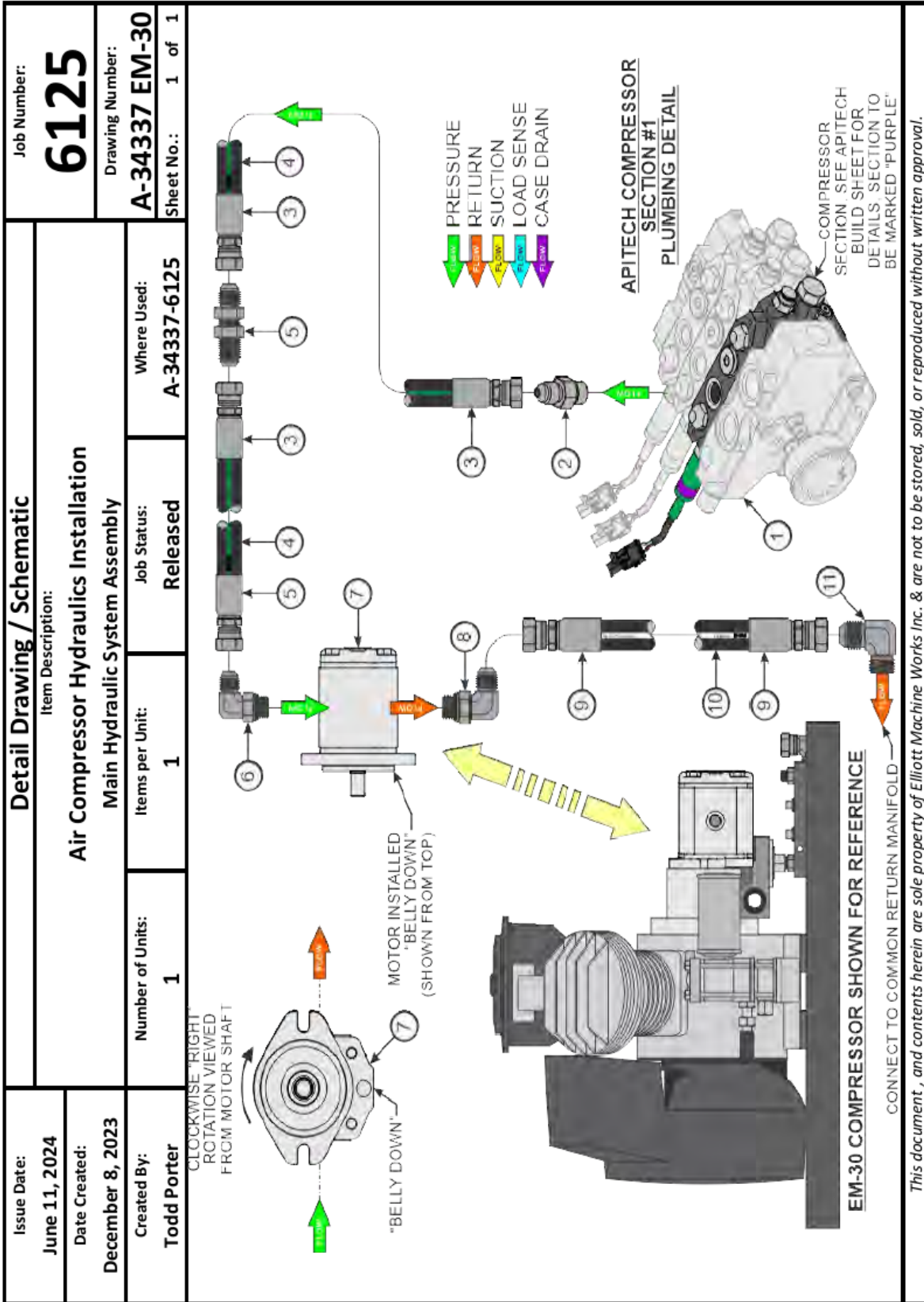
PTO, Driveline, Hydraulic Pump & Valve Inlet SCH1-1	Page 2
Air Compressor Hydraulics SCH2-1	Page 3
Oil System Hydraulics SCH3-1	Page 4
Hydraulic Return, Filter & Oil Cooler SCH4-1	Page 5
Apitech Valve Wiring SCH5-1	Page 6
Oil Cooler Wiring SCH6-1	Page 7
Air Supply System SCH7-1	Page 8
Air Regulator Stack SCH8-1	Page 9
Diaphragm Pump Assembly SCH9-1	Page 10
Interior Lighting SCH10-1	Page 11
Fuse & Relay Box SCH11-1	Page 12
DOT, Interior, Flood & Strobe Lights SCH12-1	Page 13
Heating System Truck Coolant SCH13-1	Page 14
Heating System Shore Power SCH14-1	Page 15

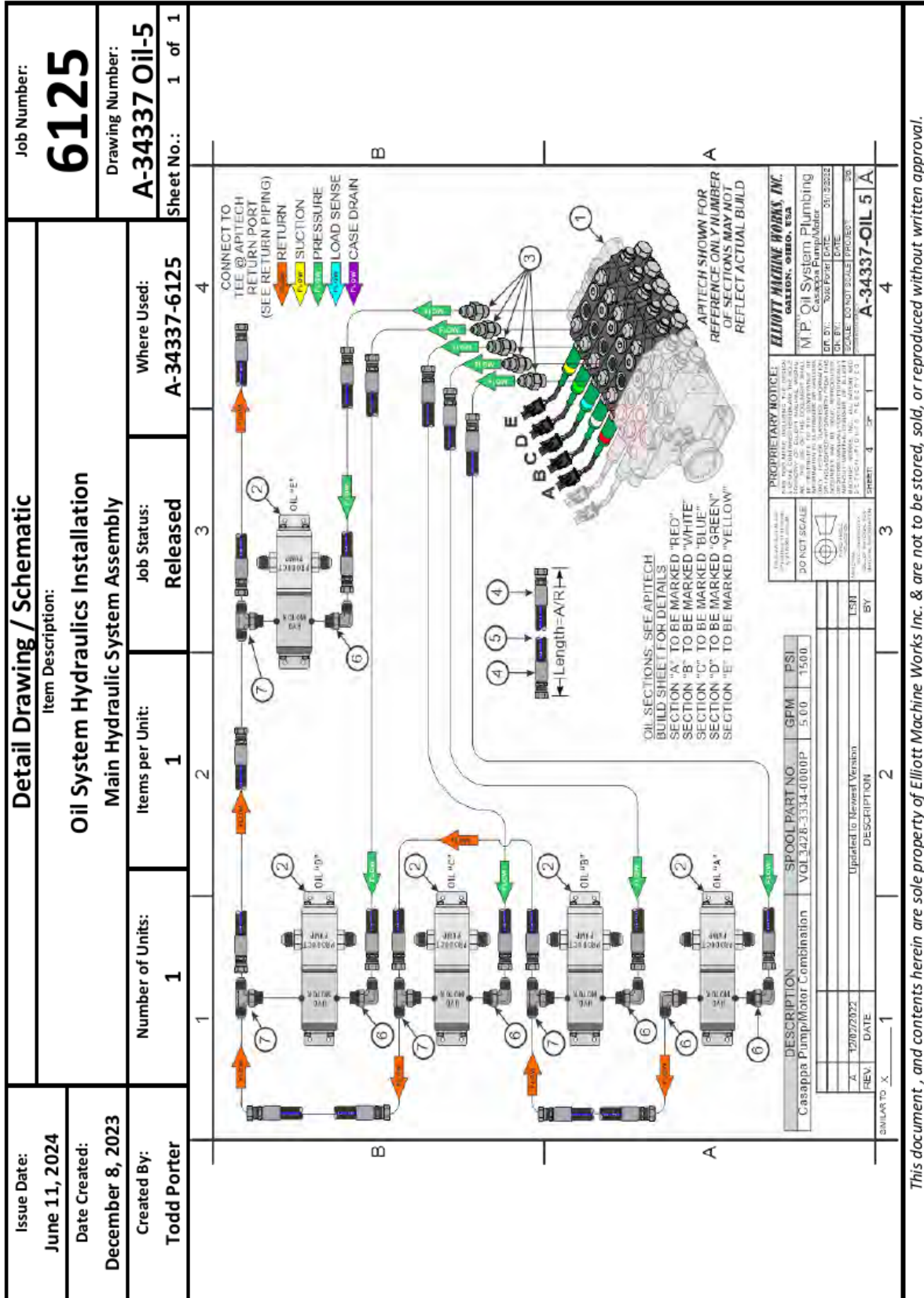
CAUTION

PLEASE CONTACT CURRY SUPPLY COMPANY BEFORE ATTEMPTING ANY CHANGES TO THE ELECTRICAL SYSTEMS. DOING SO MAY CAUSE EQUIPMENT DAMAGE OR VOID WARRANTY.

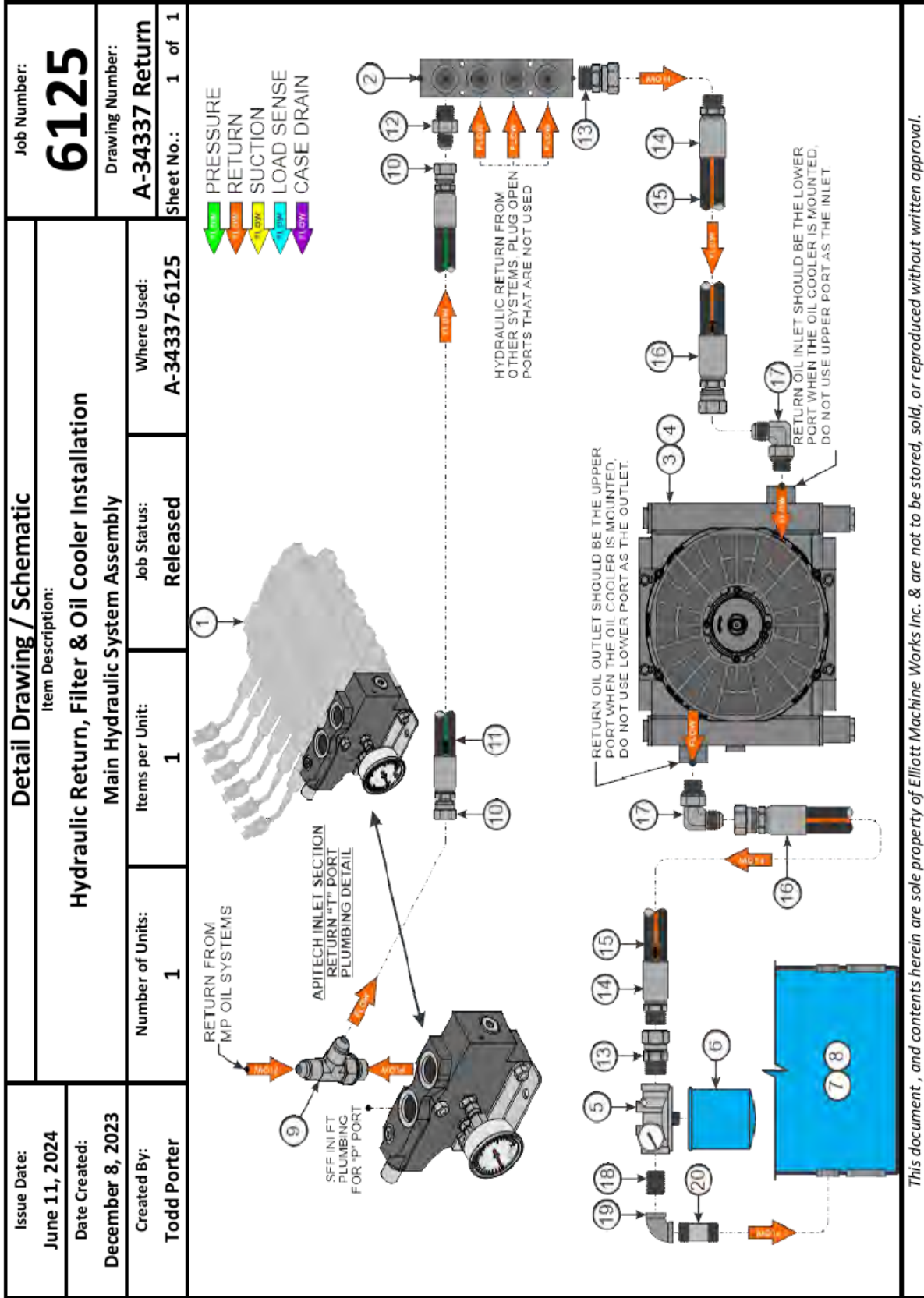


This document, and contents herein are sole property of Elliott Machine Works Inc. & are not to be stored, sold, or reproduced without written approval.





This document, and contents herein are sole property of Elliott Machine Works Inc. & are not to be stored, sold, or reproduced without written approval.



This document, and contents herein are sole property of Elliott Machine Works Inc. & are not to be stored, sold, or reproduced without written approval.

Issue Date:
June 11, 2024

Date Created:
December 8, 2023

Created By:
Todd Porter

Job Number:
6125

Drawing Number:
B-38843-PM

Sheet No.: 1 of 1

Item Description:
Apitech Valve Wiring Schematic
Main Hydraulic System Assembly

Where Used:
A-34337-6125

Job Status:
Released

Items per Unit: 1

Number of Units: 1

Detail Drawing / Schematic

Item Description:
Apitech Valve Wiring Schematic
Main Hydraulic System Assembly

APITECH VALVE WIRING CONNECTOR LIST

PN#	WIRE COLOR (AWG)	FUNCTION DESCRIPTION
A	AP3	RED 14 "A" OIL TO PRESSURE SWITCH & APITECH VALVE
B	AP4	WHIT 14 "B" OIL TO PRESSURE SWITCH & APITECH VALVE
C	AP5	BLU 14 "C" OIL TO PRESSURE SWITCH & APITECH VALVE
D	AP6	GRN 14 "D" OIL TO PRESSURE SWITCH & APITECH VALVE
E	AP7	VEL 14 "E" OIL TO PRESSURE SWITCH & APITECH VALVE
F		NOT USED
G	FS1	PUR 14 COMPRESSOR SWITCH OUT TO FURNAS SWITCH
H	FS2	BLU 14 COMPRESSOR RETURN FROM FURNAS SWITCH
I	AP1	PUR 14 COMPRESSOR RETURN FROM FURNAS SWITCH
J		NOT USED
K		NOT USED
L	BLK/WHIT	INDICATOR LIGHT IN CAB
M	RED	12VDC IN FROM FUSE / RELAY BOX
N	BLK	CHASSIS GROUND (SWITCH LIGHTS)
P	BLK	SWITCH OUT TO INTERIOR LIGHTS
R		NOT USED
S		NOT USED

FUSE PANEL WIRING CONNECTOR LIST

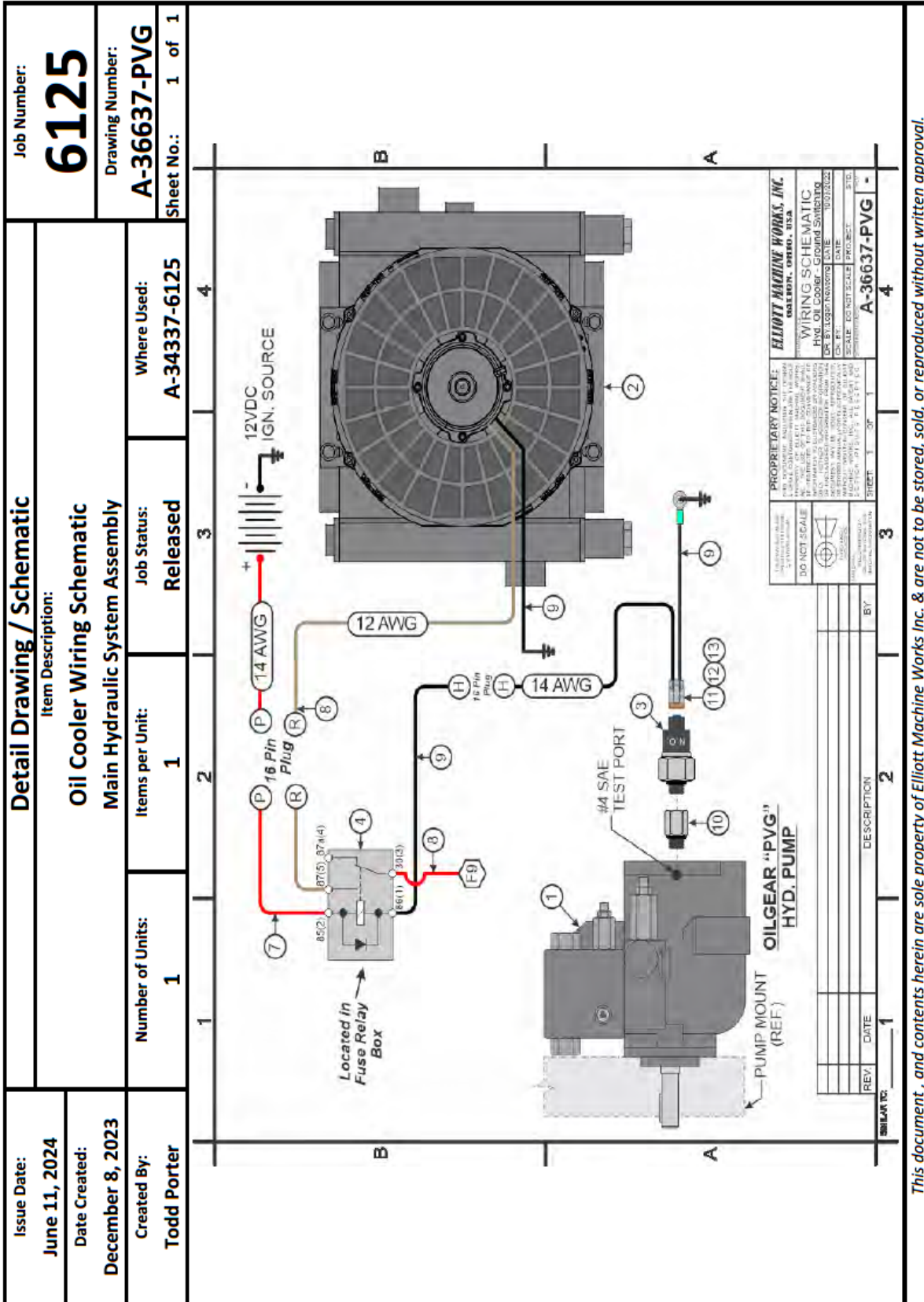
PN#	WIRE COLOR (AWG)	FUNCTION DESCRIPTION
F1	A4	PUR 14 FUSED POWER TO COMPRESSOR SWITCH (10A)
F2	L4	BLK 14 FUSED POWER TO INTERIOR LIGHT SWITCH (20A)
F3		NOT USED
F4	L	BLK 14 FUSED POWER TO INDICATOR LIGHT IN CAB (5A)
F5		NOT USED
F6		NOT USED
F7	A	RED 14 FUSED POWER TO "A" OIL PRESSURE SWITCH
F8	B	WHIT 14 FUSED POWER TO "B" OIL PRESSURE SWITCH
F9	C	BLU 14 FUSED POWER TO "C" OIL PRESSURE SWITCH
F10	D	GRN 14 FUSED POWER TO "D" OIL PRESSURE SWITCH
F11	E	VEL 14 FUSED POWER TO "E" OIL PRESSURE SWITCH
F12		NOT USED

MISC. WIRING CONNECTOR LIST

PN#	WIRE COLOR (AWG)	FUNCTION DESCRIPTION
M4	M3	RED 10 MAIN POWER JUMPER (A2)
M5	M5	RED 12 SWITCHED 12VDC POWER TO USE PANEL MAIN
X1	TN	BLK/WHIT 14 CHASSIS GROUND FOR SWITCH LIGHTS
X1	X1	BLK/WHIT 14 CHASSIS GROUND JUMPER (SWITCH LIGHTS) (A5)
M4	X2	RED 14 JUMPER WIRE FOR SWITCH LIGHT (MAIN)
A3	X2	PUR 14 JUMPER WIRE FOR SWITCH LIGHT (COMPRESSOR)
L3	X2	BLK 14 JUMPER WIRE FOR SWITCH LIGHT (INT. LIGHTS)

B-38843-PM

This document, and contents herein are sole property of Elliott Machine Works Inc. & are not to be stored, sold, or reproduced without written approval.



This document, and contents herein are sole property of Elliott Machine Works Inc. & are not to be stored, sold, or reproduced without written approval.

Issue Date: June 11, 2024	Detail Drawing / Schematic			Job Number: 6125
Date Created: December 8, 2023	Item Description: Air Regulator Stack Assembly			Drawing Number: A-33076-3
Created By: Todd Porter	Number of Units: 1	Items per Unit: 3	Job Status: Released	Where Used: AS-1
Issue Date: 07/11/2022		Sheet No.: 1 of 1		
Revision:		Drawing Number: A-33076-REG-3		
		Sheet No.: 1 of 1		

Schematic Details

Air Regulator Assembly w/ Gauge and Hose Nipple

Note: O-Ring Cavity must Face the same direction on all End Caps & Sections

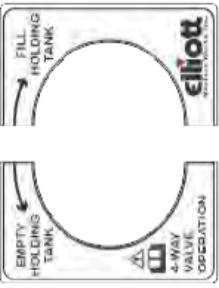
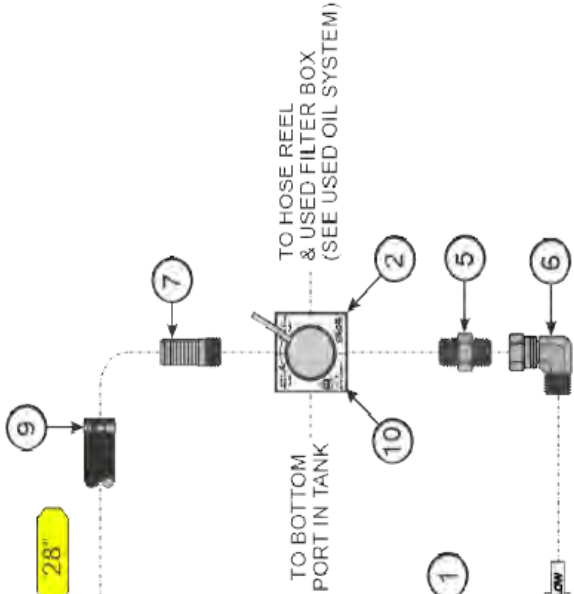
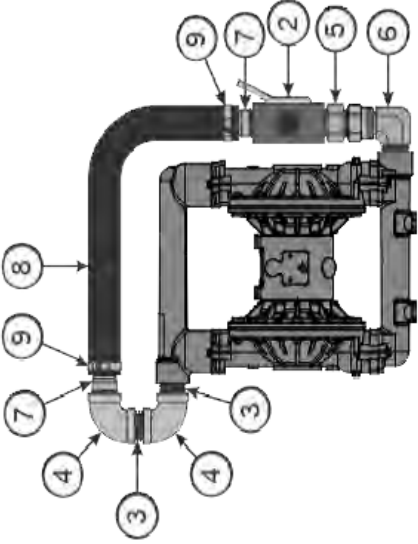
REF.

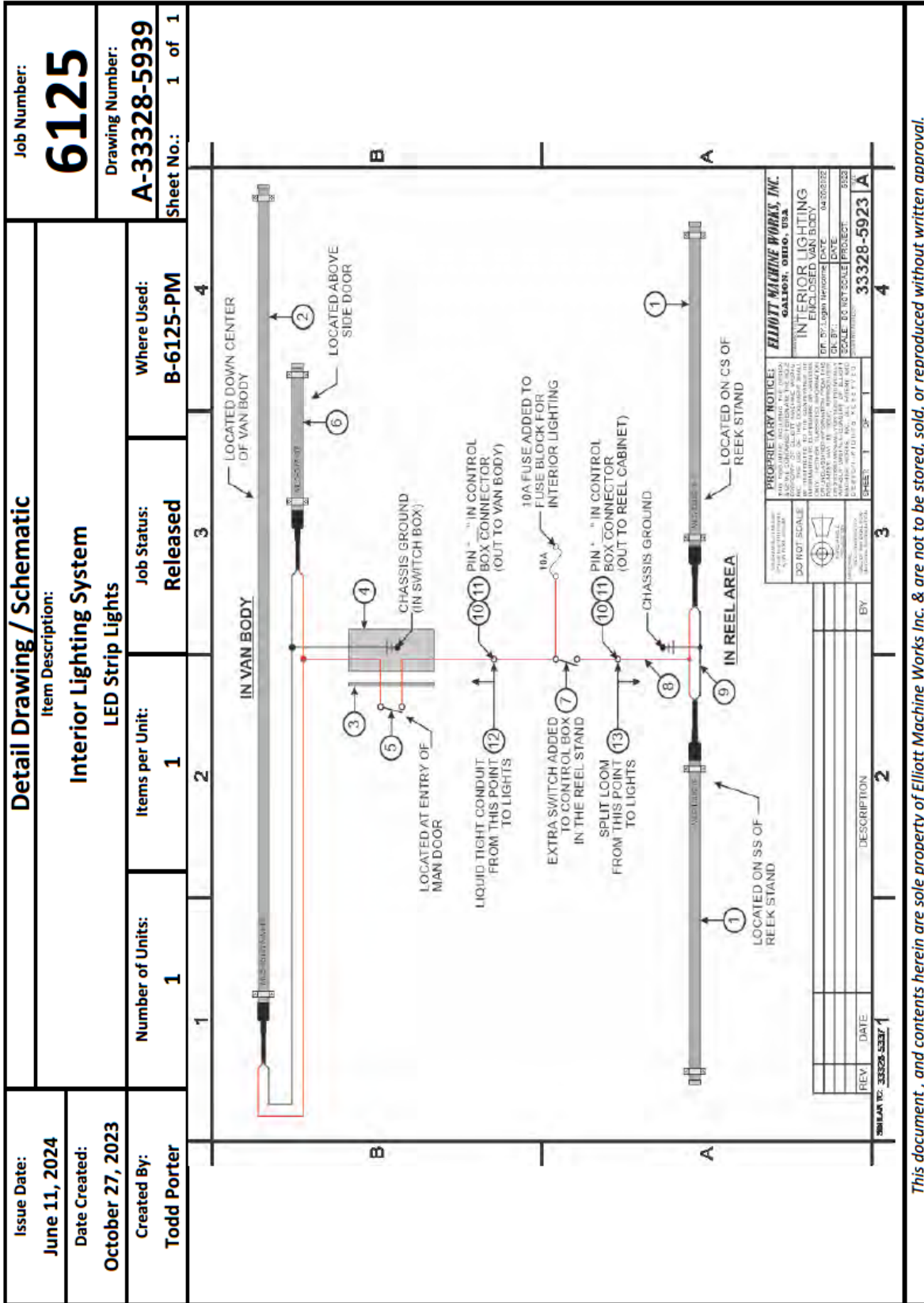
REGULATED PRESSURE FOR OUTLET PORT

NON-REGULATED PRESSURE FOR AIR SYSTEM

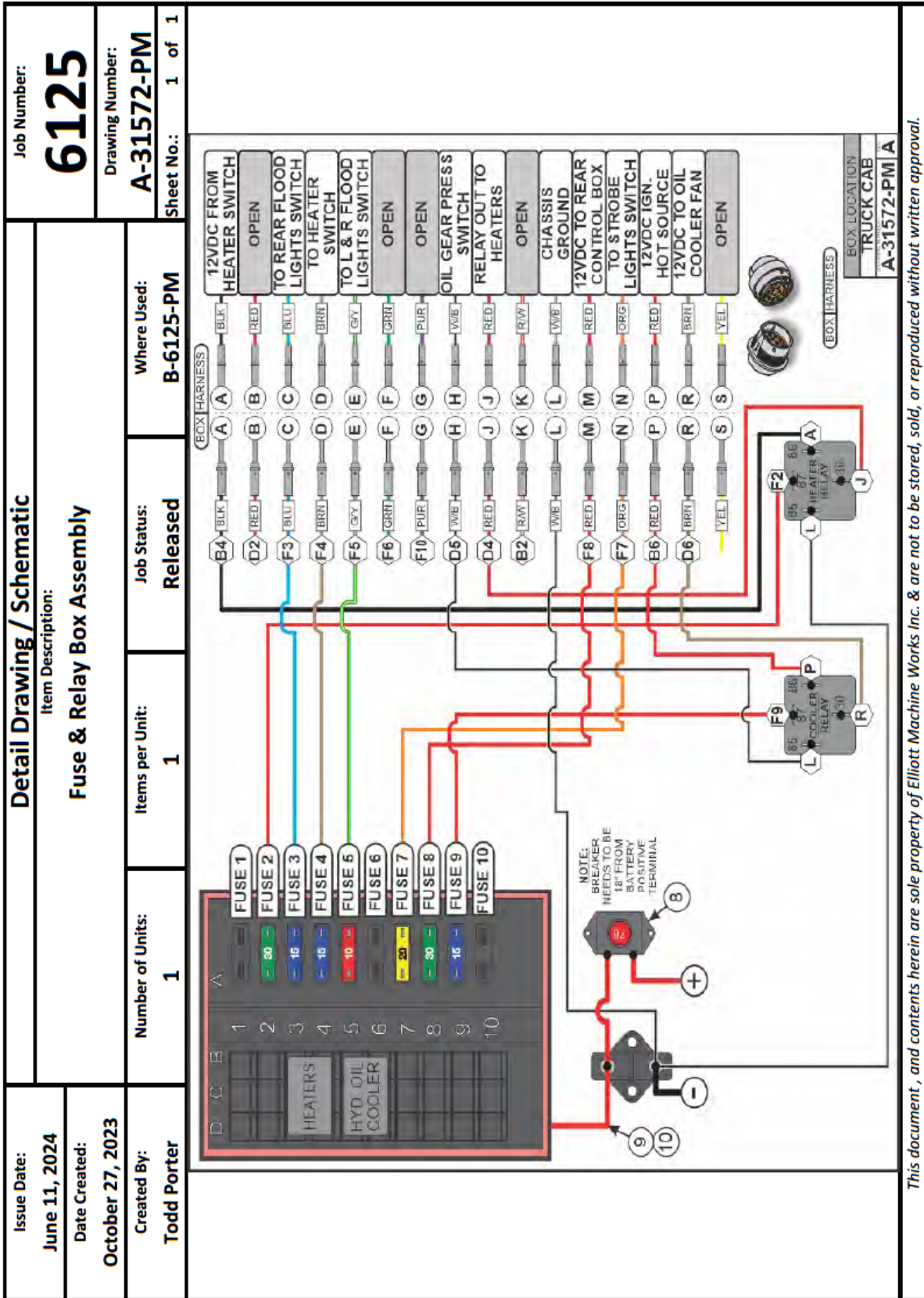
REV.	DATE	DESCRIPTION	BY

This document, and contents herein are sole property of Elliott Machine Works Inc. & are not to be stored, sold, or reproduced without written approval.

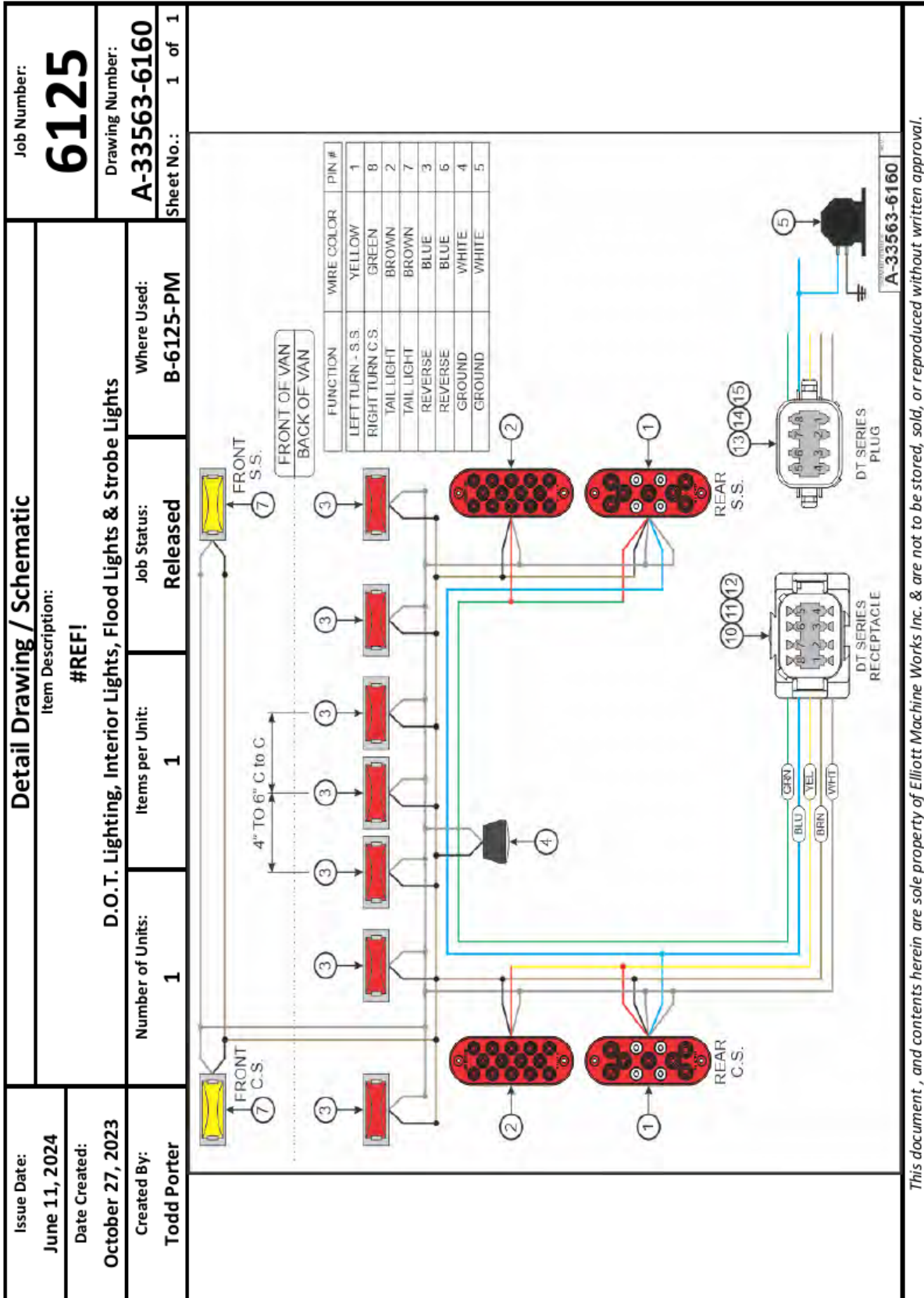
<p>Issue Date: June 11, 2024</p> <p>Date Created: October 27, 2023</p> <p>Created By: Todd Porter</p>		<p>Detail Drawing / Schematic</p> <p>Item Description: Diaphragm Pump Assembly Air Operated 1.50" Diaphragm Pump w/ 4 Way Valve</p>		<p>Job Number: 6125</p> <p>Drawing Number: UOP-1</p> <p>Sheet No.: 1 of 1</p>	
<p>Number of Units: 1</p>		<p>Items per Unit: 1</p>		<p>Job Status: Released</p>	
<p>Where Used: UOS-1</p>		<p>Released</p>			
 <p>2 PART DECAL FOR 4-WAY VALVE OPERATION (EMW3960A)</p>		 <p>TO HOSE REEL & USED FILTER BOX (SEE USED OIL SYSTEM)</p> <p>TO BOTTOM PORT IN TANK</p> <p>SCHEMATIC VIEW</p>			
 <p>ASSEMBLED VIEW</p>		<p>This document, and contents herein are sole property of Elliott Machine Works Inc. & are not to be stored, sold, or reproduced without written approval.</p>			



This document, and contents herein are sole property of Elliott Machine Works Inc. & are not to be stored, sold, or reproduced without written approval.



This document, and contents herein are sole property of Elliott Machine Works Inc. & are not to be stored, sold, or reproduced without written approval.



This document, and contents herein are sole property of Elliott Machine Works Inc. & are not to be stored, sold, or reproduced without written approval.

Detail Drawing / Schematic		Job Number: 6125	
Item Description: Heating System		Drawing Number: A-32011	
120VAC Shore Power		Sheet No.: 1 of 1	
Issue Date: June 11, 2024	Number of Units: 1	Job Status: Released	Where Used: B-6125-PM
Date Created: October 27, 2023	Items per Unit: 2		
Created By: Todd Porter			

120VAC
1500 / 750 Watts
12.5 / 6.3 Amps

HEATING ELEMENTS
THERMAL FUSE

COMMON (120V)
NEUTRAL

GROUND

2, 3, 4, 5, 6, 7, 8

REV	DATE	DESCRIPTION	BY

SIMILAR TO: A-33841	1	2	3	4
---------------------	---	---	---	---

PROPRIETARY NOTICE ALL RIGHTS RESERVED. THIS DOCUMENT IS THE PROPERTY OF ELLIOTT MACHINE WORKS, INC. AND IS NOT TO BE REPRODUCED OR TRANSMITTED IN ANY FORM OR BY ANY MEANS, ELECTRONIC OR MECHANICAL, INCLUDING PHOTOCOPYING, RECORDING, OR BY ANY INFORMATION STORAGE AND RETRIEVAL SYSTEM.		ELLIOTT MACHINE WORKS, INC. GALLON, OHIO, USA	
DO NOT SCALE THIS DRAWING IS FOR INFORMATIONAL PURPOSES ONLY. IT IS NOT TO BE USED FOR CONSTRUCTION.		120VAC Heater Wiring Shore Power Heater Installation	
DR BY:	DATE:	SCALE:	PROJECT:
SHEET 1 OF 1		A-32011	

This document, and contents herein are sole property of Elliott Machine Works Inc. & are not to be stored, sold, or reproduced without written approval.