

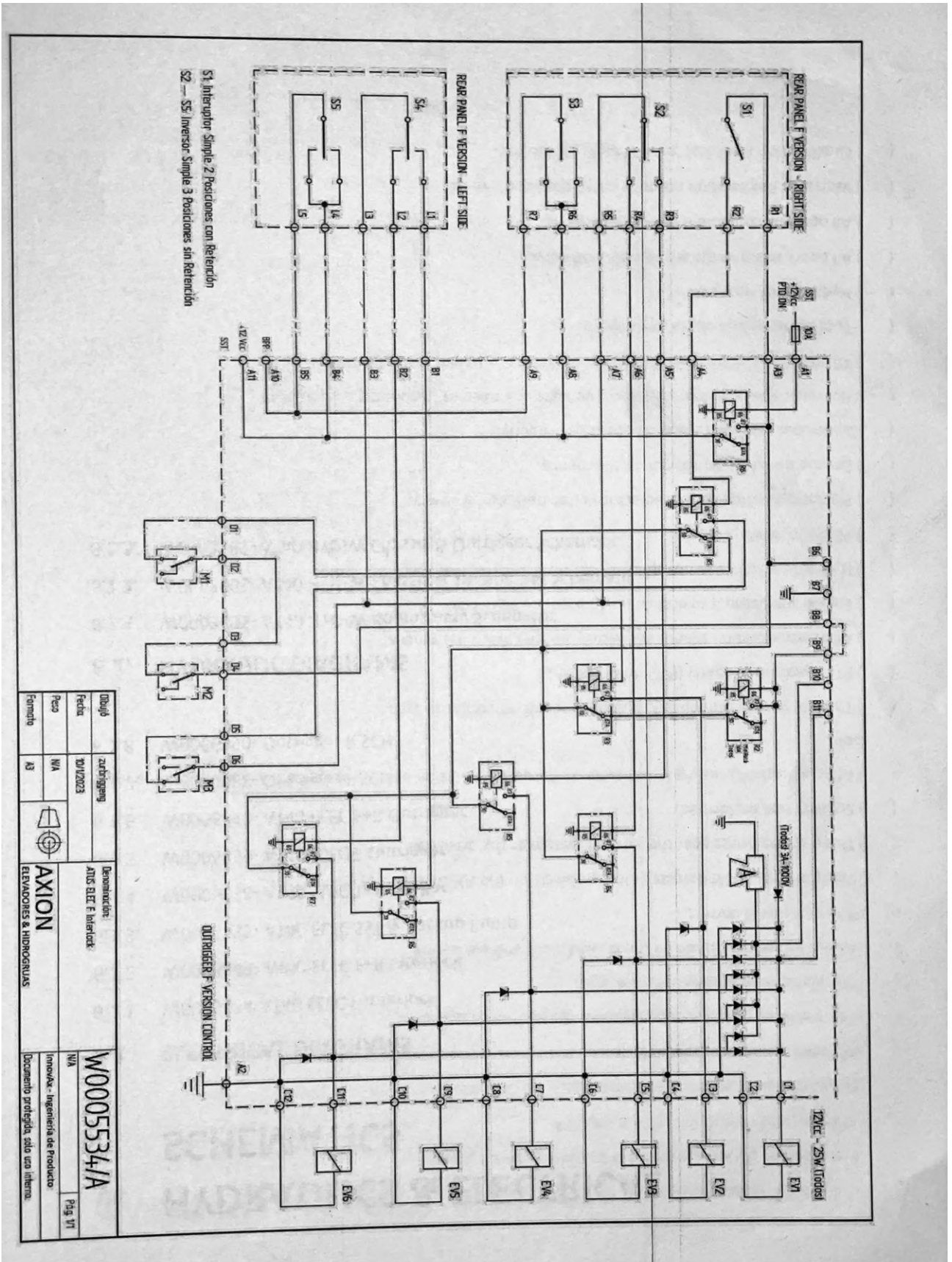
Aerial Lift Truck

Schematics

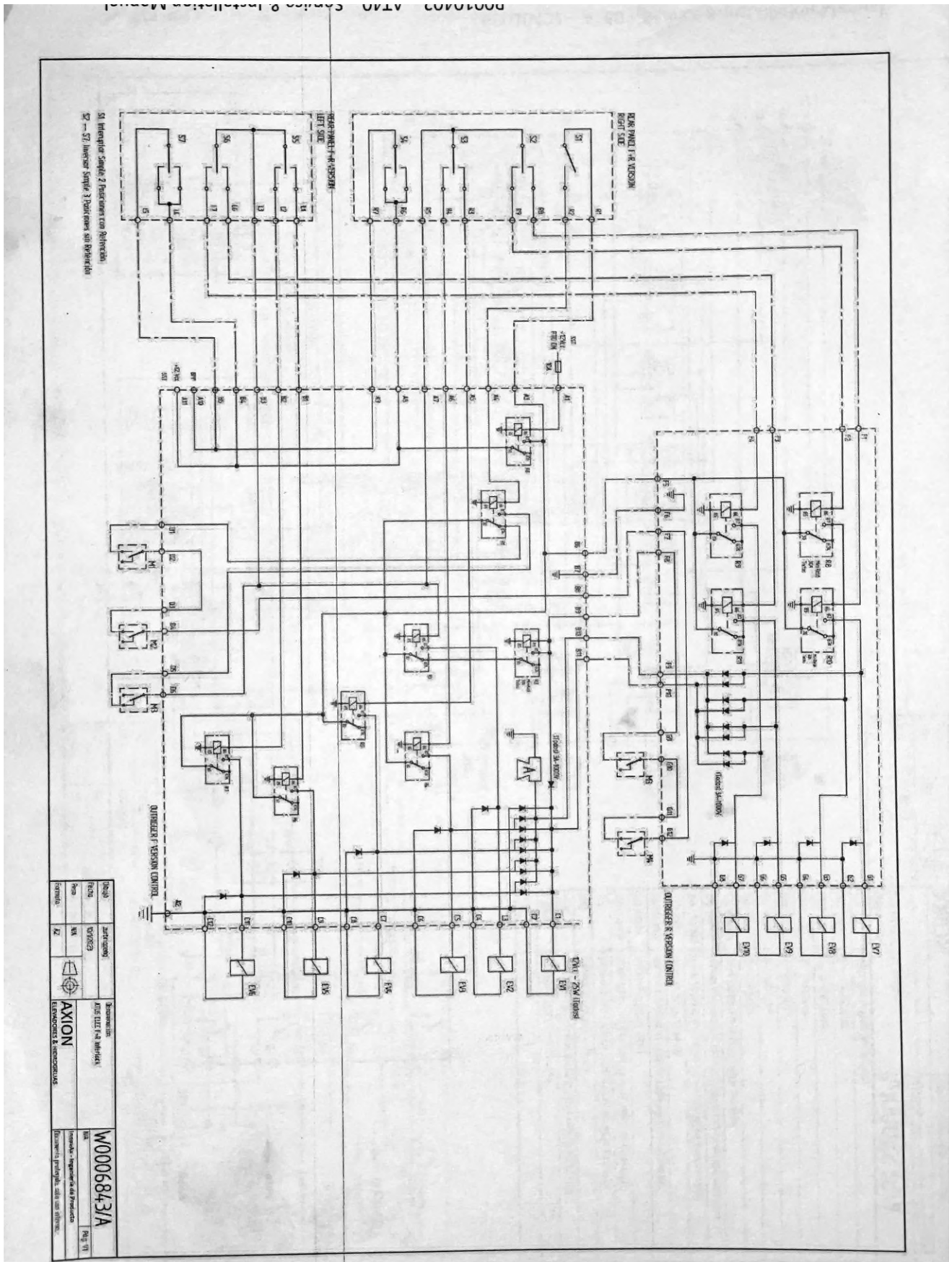
| | |
|---|-------------------------|
| W0005534 AT40 Elec Interlock SCH1-1 | Page 2 |
| W0006843 AT40 Elec F R Interlock SCH2-1 | Page 3 |
| W0005535 AT40 Elec SST and Back Up Pump SCH3-1 | Page 4 |
| W0006838 AT40 Elec Torsion Bar SCH4-1 | Page 5 |
| W0006839 AT40 Elec F Outrigger SCH5-1 | Page 6 |
| W0006840 AT40 Elec F R Outrigger SCH6-1 | Page 7 |
| W0006988 AT40 Elec Outrigger F SCH7-1 | Page 8 |
| W0006990 AT40 Elec Outrigger R SCH8-1 | Page 9 |
| 2187-1053 AT40 Elec Ford 2023+ SCH9-1 | Page 10 |
| W0003605 AT40 Hyd-W Booms Assy SCH10-1 | Page 11 |
| W0003606 AT40 Hyd-W Chassis and Torsion Bar SCH11-1 | Page 12 |
| W0003187 AT40 Hyd-W Chassis and Outrigger SCH12-1 | Page 13 |

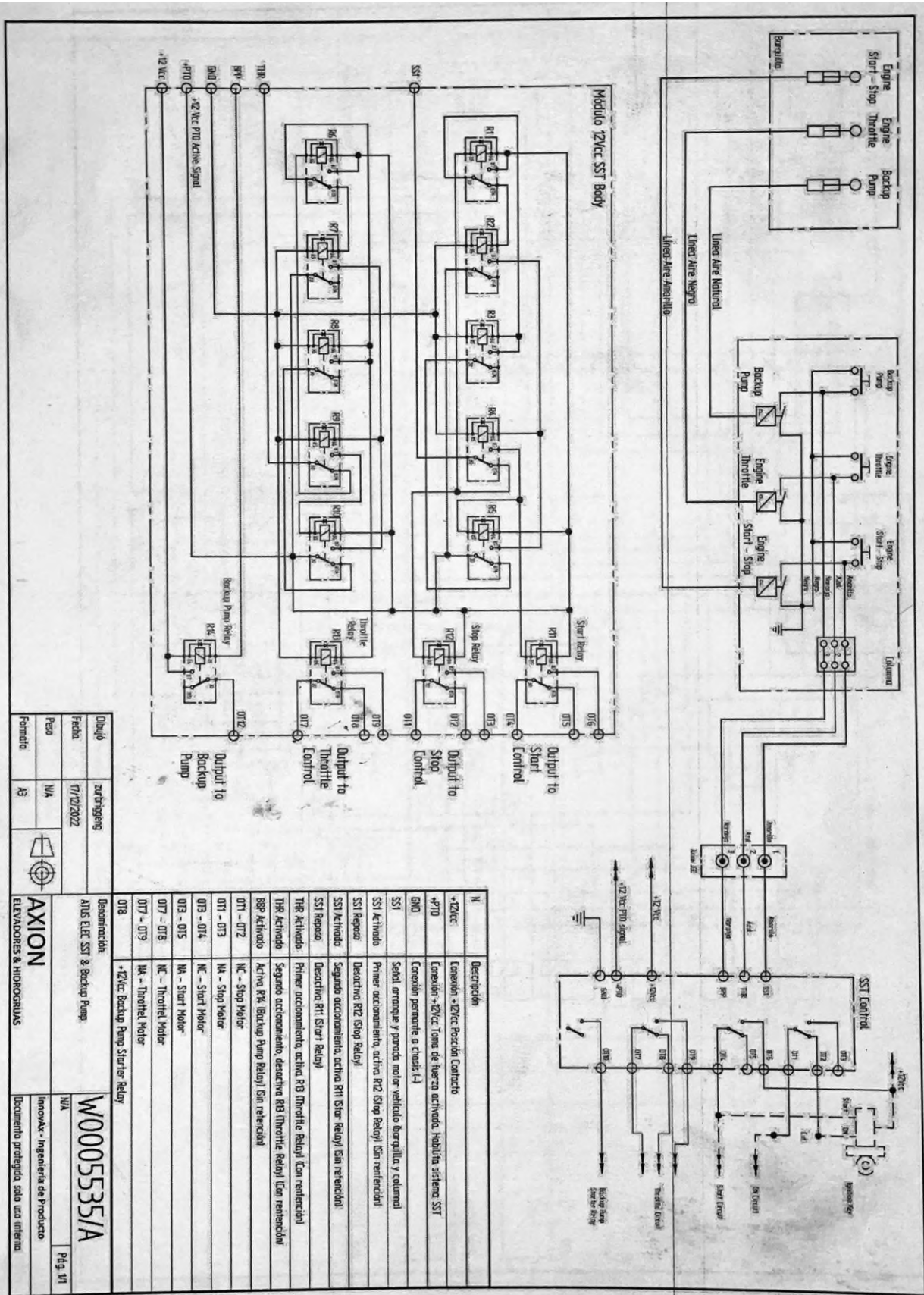
CAUTION

PLEASE CONTACT CURRY SUPPLY COMPANY BEFORE ATTEMPTING ANY CHANGES TO THE ELECTRICAL SYSTEMS. DOING SO MAY CAUSE EQUIPMENT DAMAGE OR VOID WARRANTY.



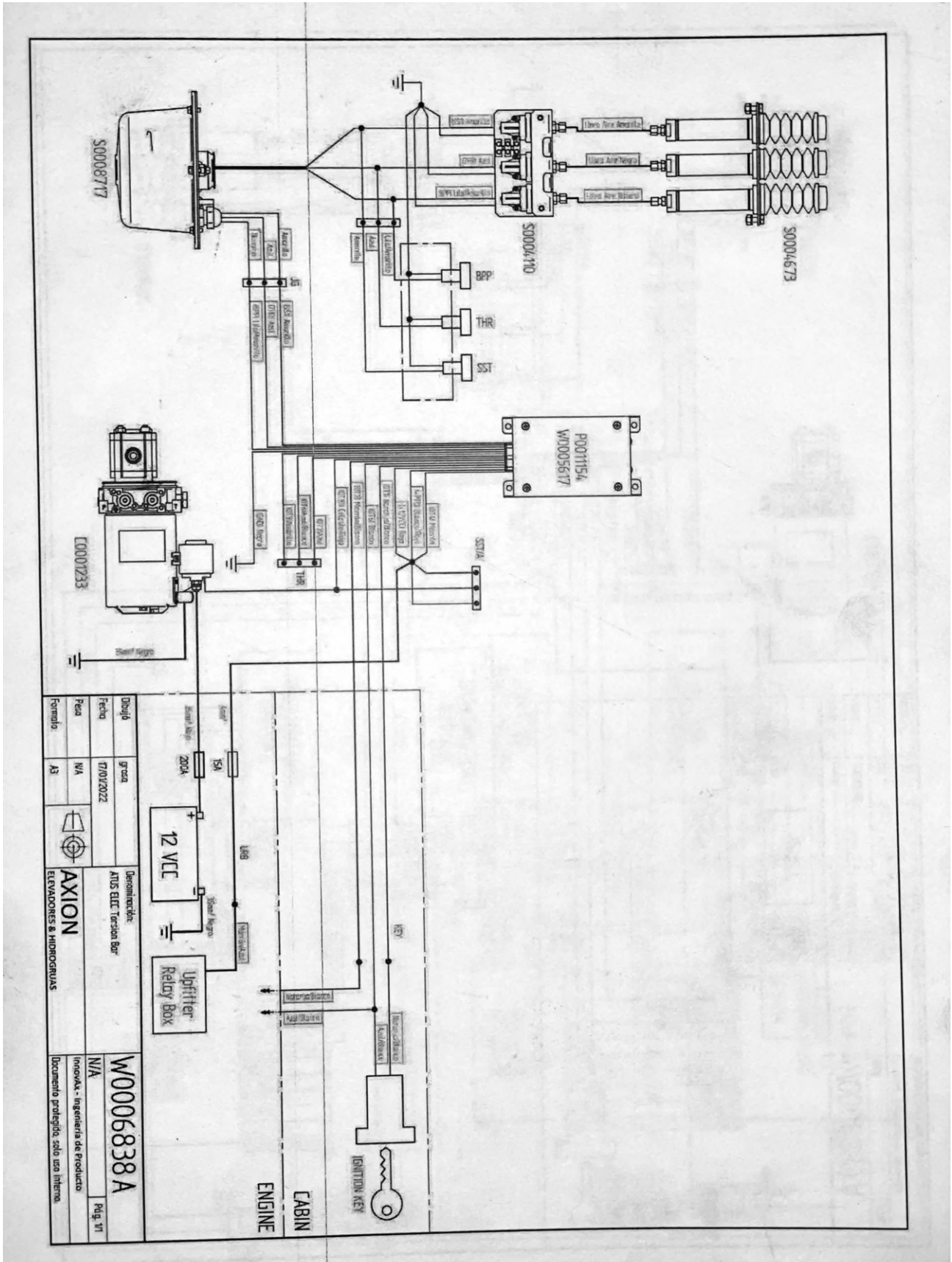
| | | | | |
|---------|-----------|-------------------------|-----------------------|--------------------------------------|
| Objeto | zachigimg | Denominación: | ATIS ELET E Interlock | W0005534/A |
| Fecha | 10/1/2023 | | | N/A |
| Peço | N/A | | | Pág. 1/1 |
| Formato | A3 | | | Documento protegido sólo con librama |
| | | | | |
| | | ELEVADORES & HIDROGRUAS | | |

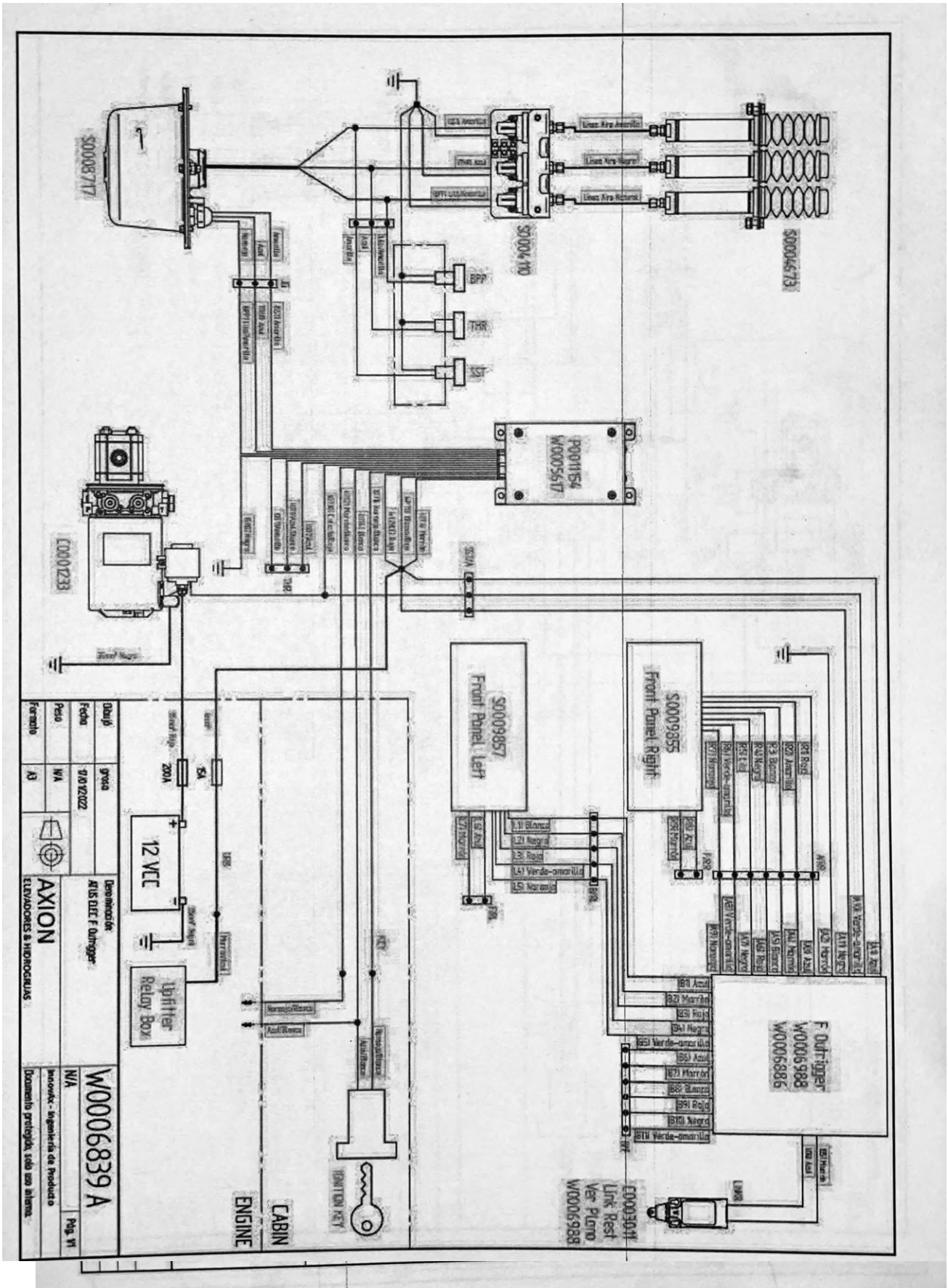


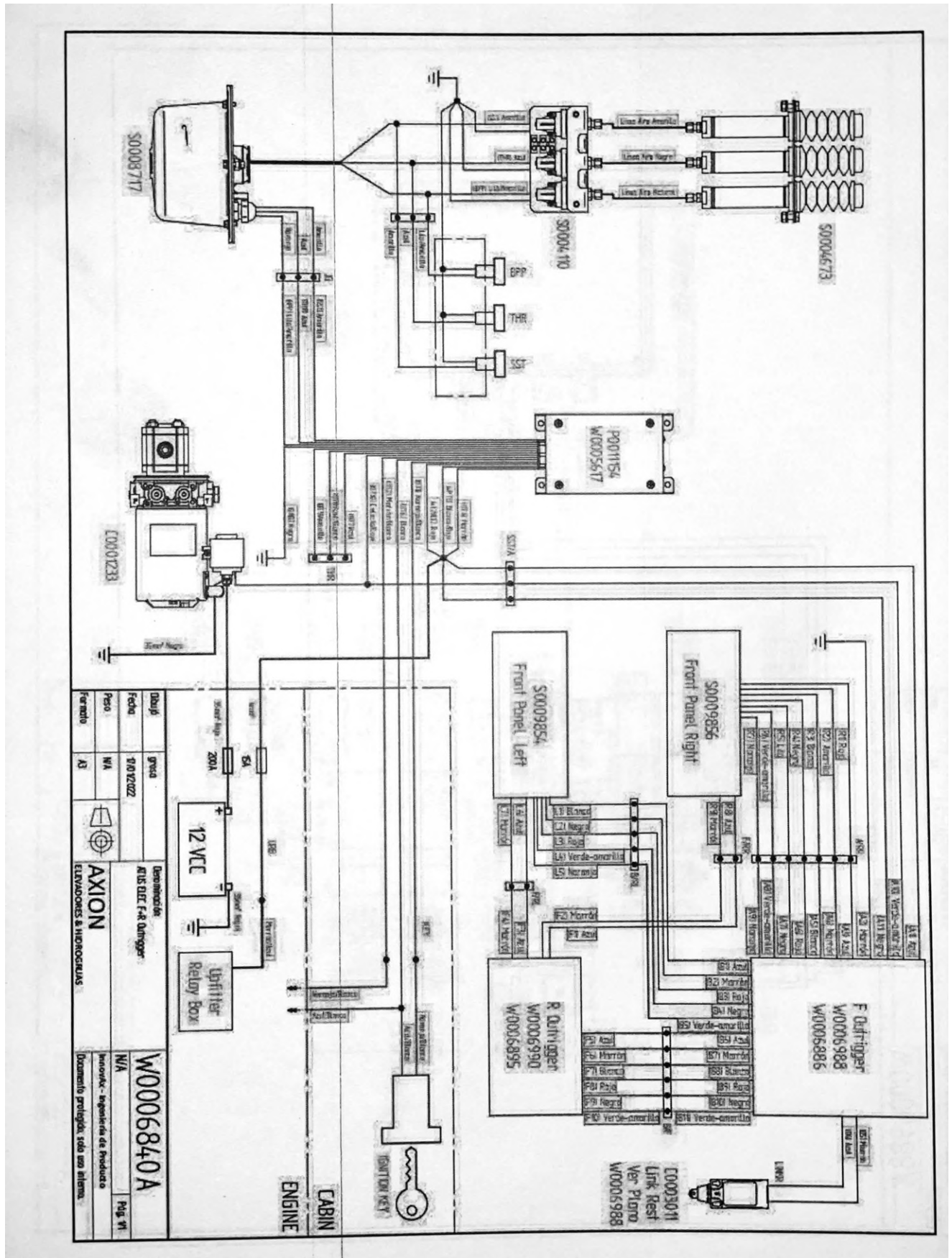


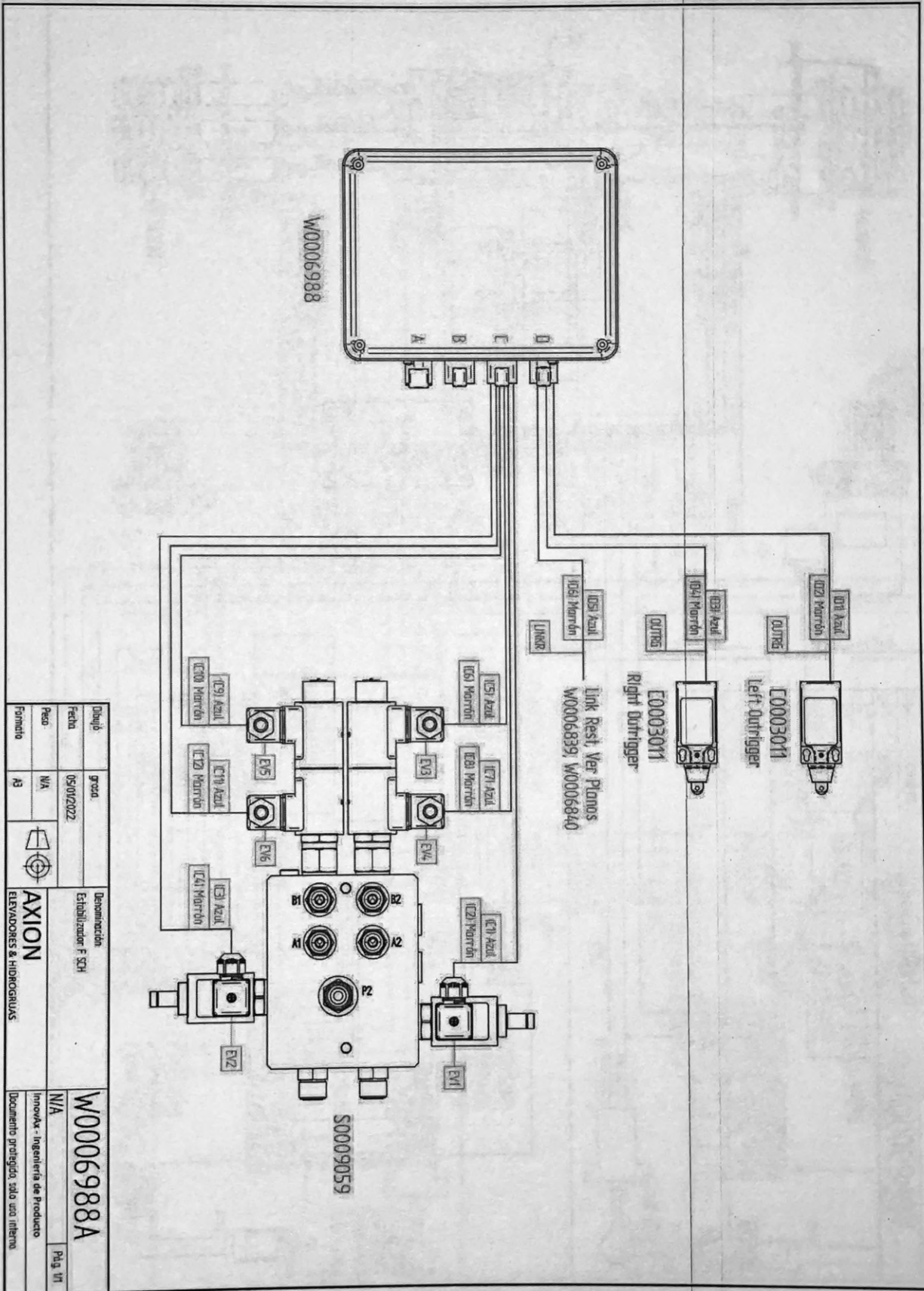
| | |
|---------|------------|
| Dibujó | zart@ingem |
| Fecha | 17/10/2022 |
| Peso | N/A |
| Formato | A3 |

| | |
|---------------------------------------|------------|
| Denominación | W0005535/A |
| ATIS ELEC SST & Backup Pump | |
| AXION | |
| ELEVADORES & HIDROSISTEMAS | |
| Innovate - Ingeniería de Producto | |
| Documento protegido, solo uso interno | |
| PLG 11 | |

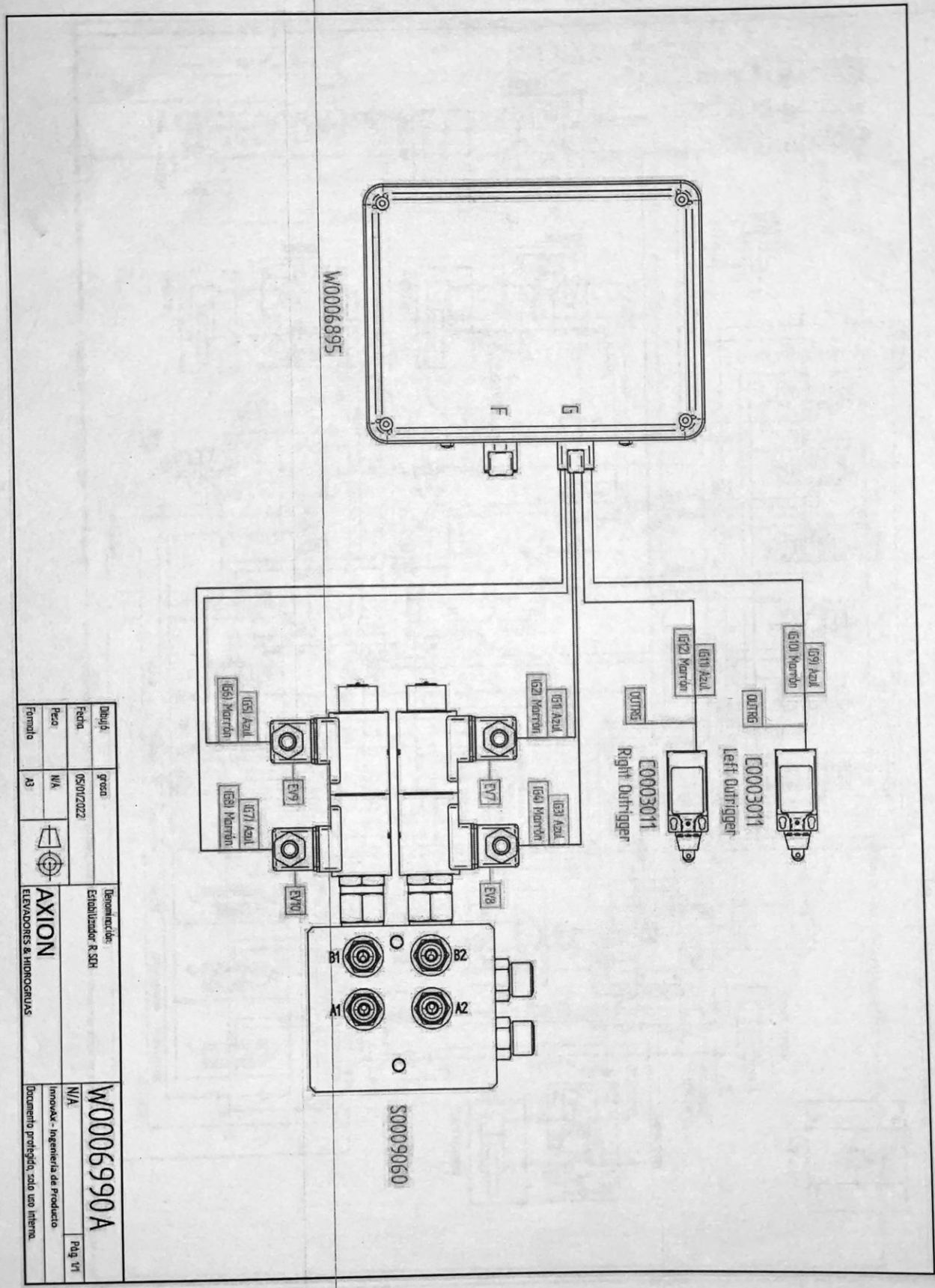


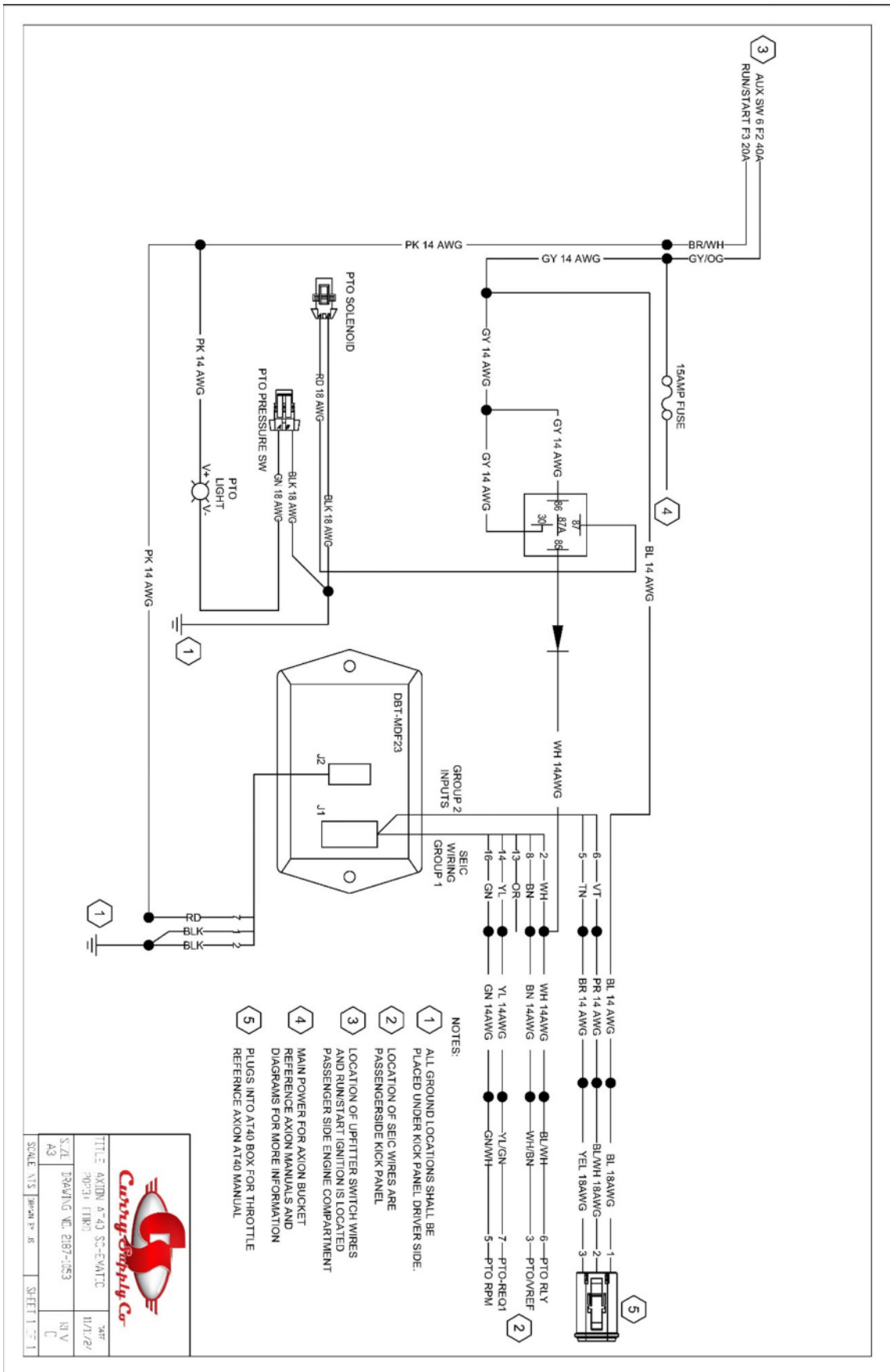






| | | | |
|---------------------------------------|------------|---|-----------|
| Objeto | grua | Denominación | W0006988A |
| Fecha | 05/01/2022 | Elaborador F. SCH | |
| Peso | N/A | | |
| Familia | A3 | | |
| | | AXION ELEVADORES & HIDROGRUAS | |
| Innovex - Ingeniería de Producto | | | Pág. 1/1 |
| Documento protegido, sólo uso interno | | | |



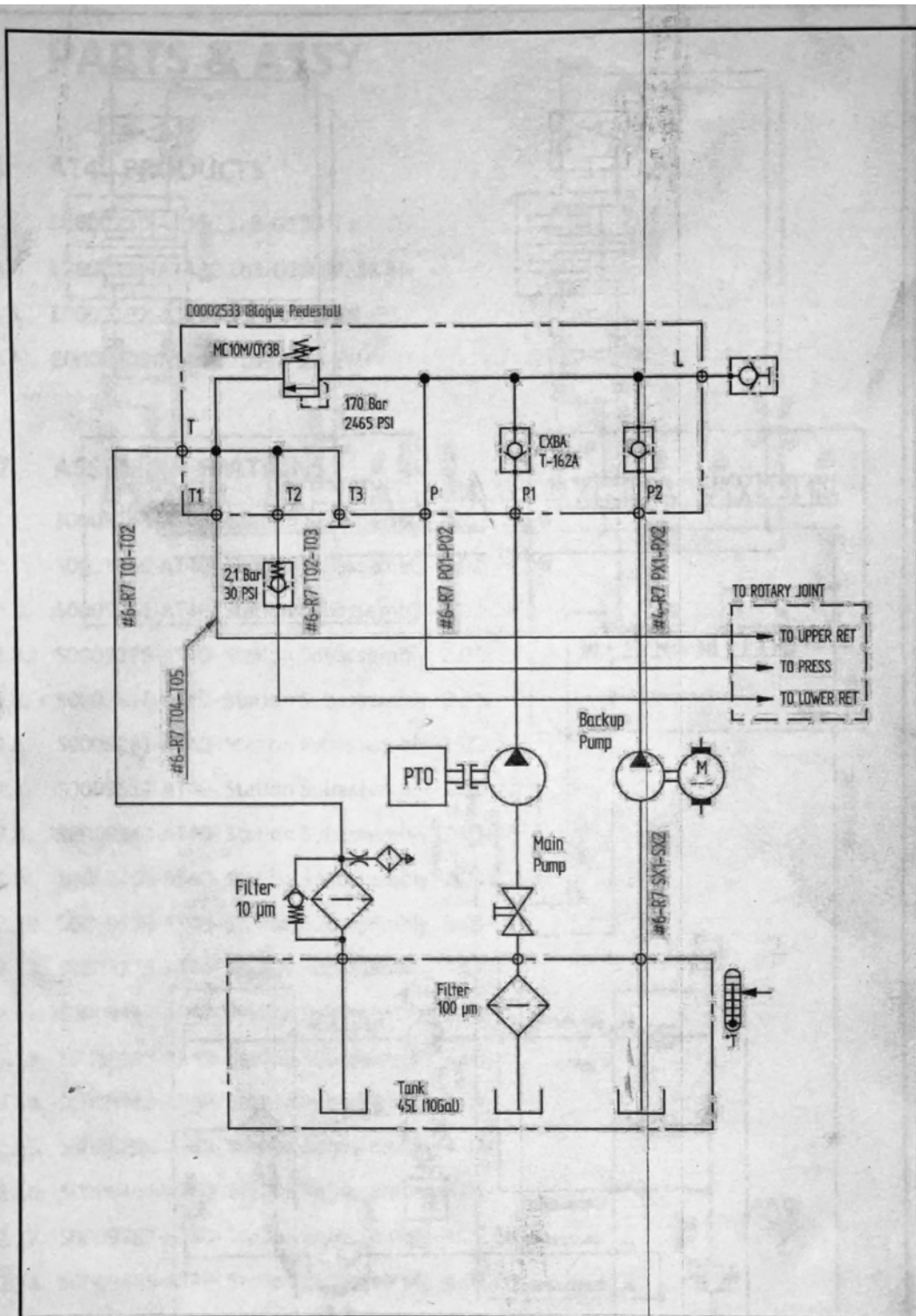



Curtis Supply Co.

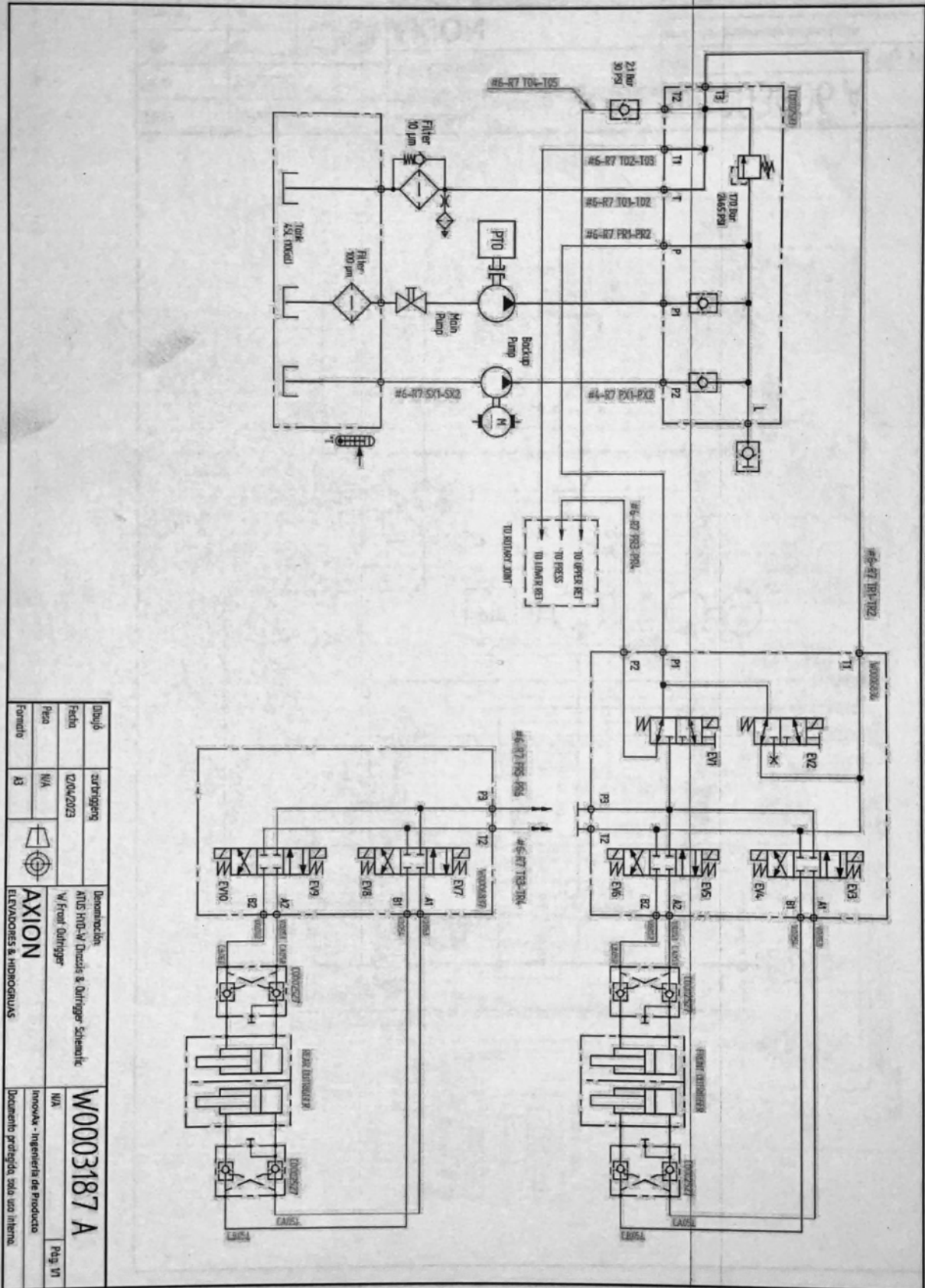
TITLE: AXION 5" x 40" S-E-VANTC
REV: 09/21/18
S.Z/E: DRAWING NO. 2197-1053
A3

DATE: 11/17/21
BY: V
CHK: C

SCALE: NTS
SHEET 1 OF 1



| | | | | |
|---------|-------------|--|--|----------|
| Dibujó | zurbriggeng | Denominación | W0003606 A | |
| Fecha | 27/03/2023 | ATUS HYD-W Chassis & Torsion Bar Schematic w F&R Outrigger | N/A | Pág. 1/1 |
| Peso | N/A |  AXION ELEVADORES & HIDROGRUAS | InnovAx - Ingeniería de Producto | |
| Formato | A4 | | Documento protegida, solo uso interno. | |



| | | | |
|---------|------------|--|--------------------------------------|
| Objeto | zdravjenje | Denominacija | W0003187 A |
| Faida | ZD04/2023 | ATIS HD-A Drazila & Odiriger Schematic | Inovaka - Inženieria de Producia |
| Plan | N/A | V. Front Odiriger | Plan 11 |
| Formato | A3 | AXION ELEVADORES & HIDROGRAVUS | Documento protegido solo uso interno |