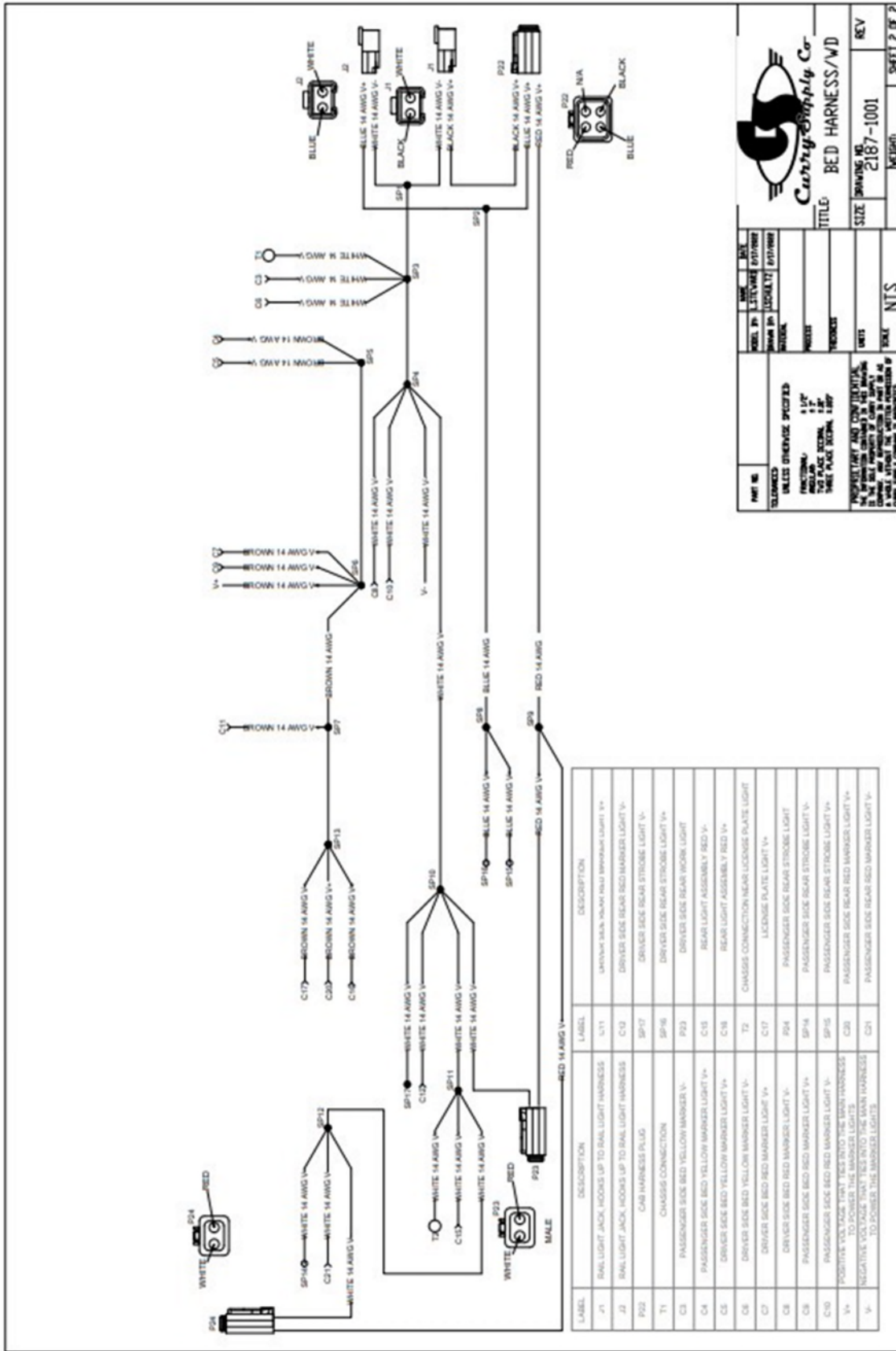


Flatbed Trucks

Schematics

PODS Flatbed Bed Harness WD 2187-1001 SCH1-1	Page 2
PODS Flatbed Bed Harness WD 2187-1001 SCH1-2	Page 3
PODS Flatbed Bed Harness WD 2187-1001 SCH1-3	Page 4
PODS Flatbed Bed Harness WD 2187-1001 SCH1-4	Page 5
PODS Cab Harness 2187-1003 SCH2-1	Page 6
PODS Cab Harness 2187-1003 SCH2-2	Page 7
PODS Rail Light Harness WD 2187-1002 SCH 3-1	Page 8
PODS Rail Light Harness WD 2187-1002 SCH 3-2	Page 9
PODS Rail Light Harness WD 2187-1002 SCH 3-3	Page 10
AWP Flatbed Chassis Harness 2187-1015 SCH4-1	Page 11
AWP Flatbed Chassis Harness 2187-1015 SCH4-2	Page 12
AWP Flatbed Chassis Harness 2187-1015 SCH4-3	Page 13
AWP Flatbed Cab Harness 2187-1012 SCH5-1	Page 14
AWP Flatbed Cab Harness 2187-1012 SCH5-2	Page 15
AWP Flatbed Rail Harness Driver Side 2187-1013 SCH6-1	Page 16
AWP Flatbed Rail Harness Driver Side 2187-1013 SCH6-2	Page 17
AWP Flatbed Rail Harness Passenger Side 2187-1013 SCH7-1	Page 18
AWP Flatbed Rail Harness Passenger Side 2187-1013 SCH7-2	Page 19
AWP Flatbed 2FT Extension Marker 2187-1016 SCH8-1	Page 20
AWP Flatbed 2FT Extension Marker 2187-1016 SCH8-2	Page 21



Curry Supply Co.

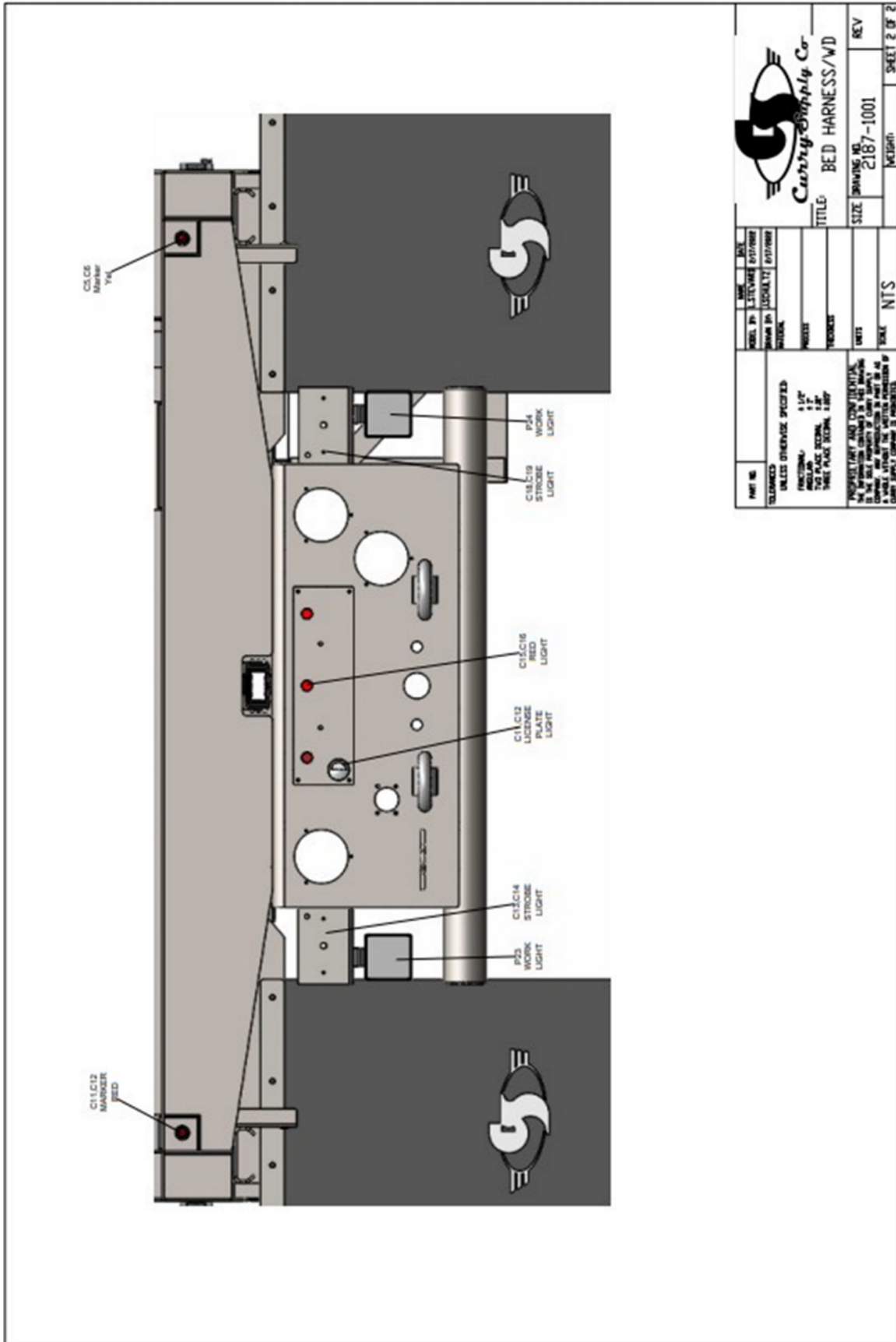
TITLE: **RED HARNESS/WD**

SIZE: **2187-1001**

REV: **REV**

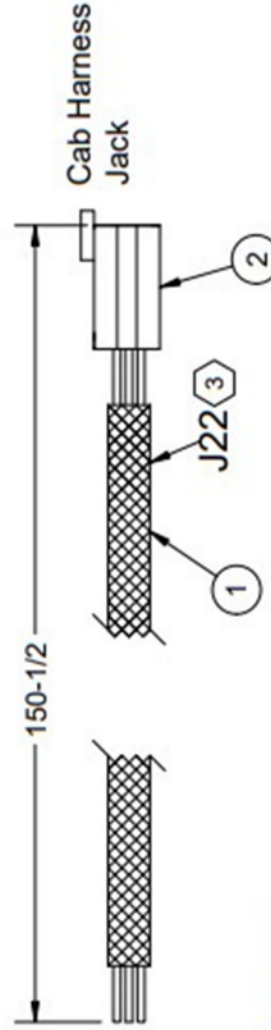
SCALE: **NTS**

SHEET **2** OF **2**



PART NO.	REVISED OTHERWISE SPECIFIED	DATE	BY
	FUNCTIONS: 1. 1" P 2. 1" P 3. 1" P 4. 1" P 5. 1" P 6. 1" P 7. 1" P 8. 1" P 9. 1" P 10. 1" P 11. 1" P 12. 1" P 13. 1" P 14. 1" P 15. 1" P 16. 1" P 17. 1" P 18. 1" P 19. 1" P 20. 1" P 21. 1" P 22. 1" P 23. 1" P 24. 1" P 25. 1" P 26. 1" P 27. 1" P 28. 1" P 29. 1" P 30. 1" P 31. 1" P 32. 1" P 33. 1" P 34. 1" P 35. 1" P 36. 1" P 37. 1" P 38. 1" P 39. 1" P 40. 1" P 41. 1" P 42. 1" P 43. 1" P 44. 1" P 45. 1" P 46. 1" P 47. 1" P 48. 1" P 49. 1" P 50. 1" P 51. 1" P 52. 1" P 53. 1" P 54. 1" P 55. 1" P 56. 1" P 57. 1" P 58. 1" P 59. 1" P 60. 1" P 61. 1" P 62. 1" P 63. 1" P 64. 1" P 65. 1" P 66. 1" P 67. 1" P 68. 1" P 69. 1" P 70. 1" P 71. 1" P 72. 1" P 73. 1" P 74. 1" P 75. 1" P 76. 1" P 77. 1" P 78. 1" P 79. 1" P 80. 1" P 81. 1" P 82. 1" P 83. 1" P 84. 1" P 85. 1" P 86. 1" P 87. 1" P 88. 1" P 89. 1" P 90. 1" P 91. 1" P 92. 1" P 93. 1" P 94. 1" P 95. 1" P 96. 1" P 97. 1" P 98. 1" P 99. 1" P 100. 1" P		
DESIGNED BY	3. SIVANE SIVANE	DATE	BY
DRAWN BY	LOUATI	DATE	BY
CHECKED BY		DATE	BY
APPROVED BY		DATE	BY
SCALE	NTS	WEIGHT	SHEET 2 OF 2
TITLE	BED HARNESS/W/D	SIZE	DRAWING NO. 2187-1001
REV		REV	

Item No.	QTY.	Part No.	Stock Desc.	Units
1	150	9284K613	Expando-3/8 Expandable Sleeving	ea
2	1	DT04-4P	DEUTSCH CONNECTOR, FEMALE, 4 PIN	ea
3	152	0762646	14 GAUGE RED WIRE	in
4	152	5121816	14 GAUGE BLUE WIRE	in
5	152	0702131	14 GAUGE BLACK WIRE	in




NOTES:
 REFERENCE DOCUMENT:
 -CABLE ROUTE PROCEDURE
 -BUILD CABLE HARNESS IN ACCORDANCE WITH
 IPC-620


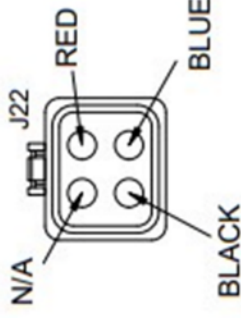
1. ITEM NO. 3,4,5 NOT SHOWN IN ASSEMBLY
2. ALTERNATE PART NO. ARE ALLOWED AS LONG AS THE ALTERNATE PART PROVIDES THE SAME FORM FIT AND FUNCTION. IF UNSURE PLEASE CONTACT CURRY SUPPLY ENGINEERING


3 PLACE LABELS WITH THE FOLLOWING CALLOUTS THAT POINTS TO EACH COMPONENT

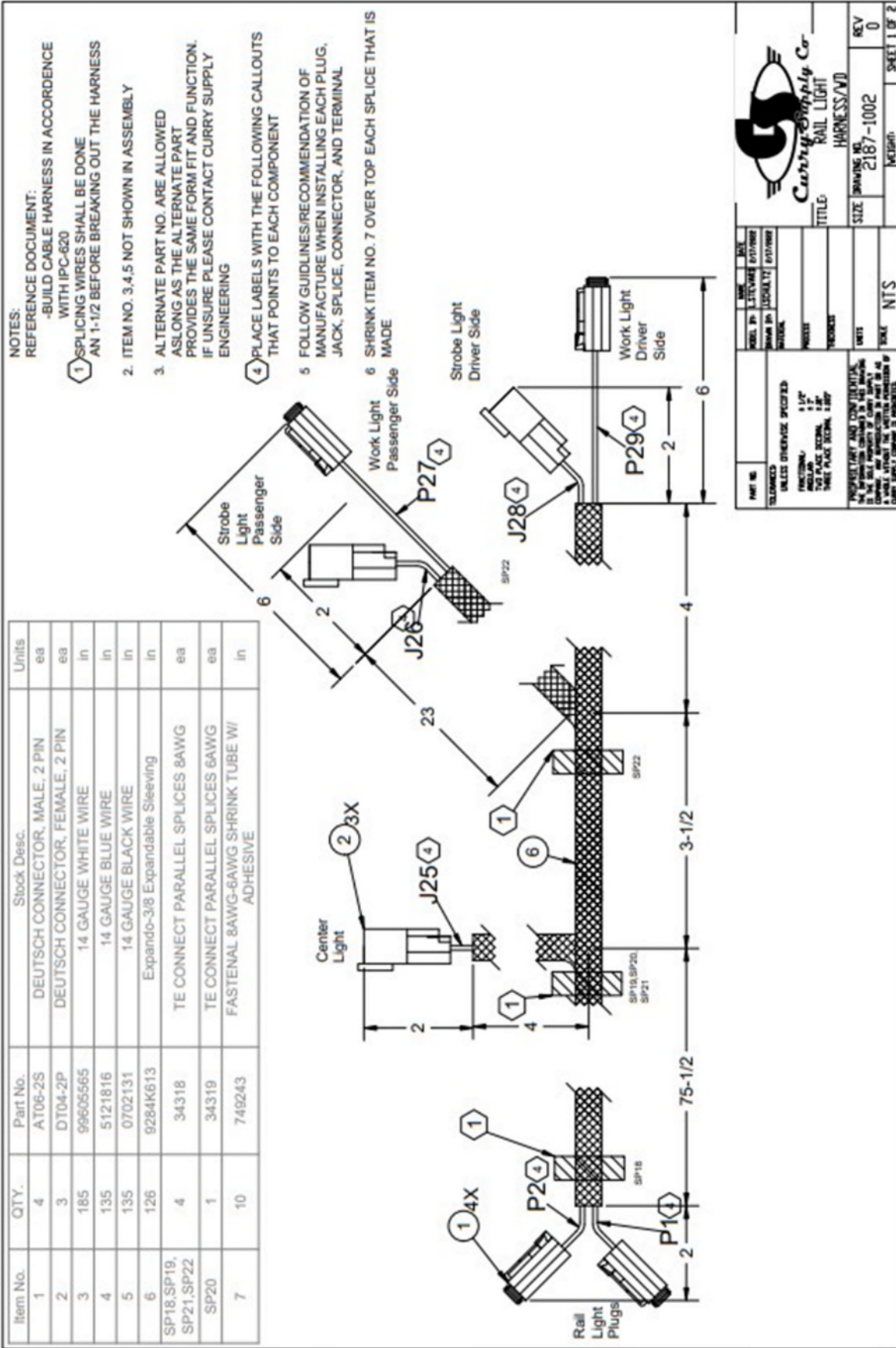
4 FOLLOW GUIDELINES/RECOMMENDATION OF MANUFACTURE WHEN INSTALLING EACH PLUG, JACK, SPLICE, CONNECTOR, AND TERMINAL

PART NO.	RELEASED	DATE	BY
	DESIGNED	DATE	BY
TITLE	DESIGNED BY	DATE	BY
	CHECKED BY	DATE	BY
DRAWING NO.	DESIGNED BY	DATE	BY
	CHECKED BY	DATE	BY
SIZE	DESIGNED BY	DATE	BY
	CHECKED BY	DATE	BY
WEIGHT	DESIGNED BY	DATE	BY
	CHECKED BY	DATE	BY


 TITLE: CAB HARNESS
 SIZE: 2187-1003
 WEIGHT: 0
 SHEET 1 OF 9

<p>— BLACK 14 AWG V+ —</p> <p>— BLUE 14 AWG V+ —</p> <p>— RED 14 AWG V+ —</p>	 <p style="text-align: center;">J22</p>					
<table border="1" style="margin: auto;"> <thead> <tr> <th style="width: 50%;">LABEL</th> <th style="width: 50%;">DESCRIPTION</th> </tr> </thead> <tbody> <tr> <td style="text-align: center;">J22</td> <td style="text-align: center;">CAB HARNESS JACK</td> </tr> </tbody> </table>		LABEL	DESCRIPTION	J22	CAB HARNESS JACK	
LABEL	DESCRIPTION					
J22	CAB HARNESS JACK					

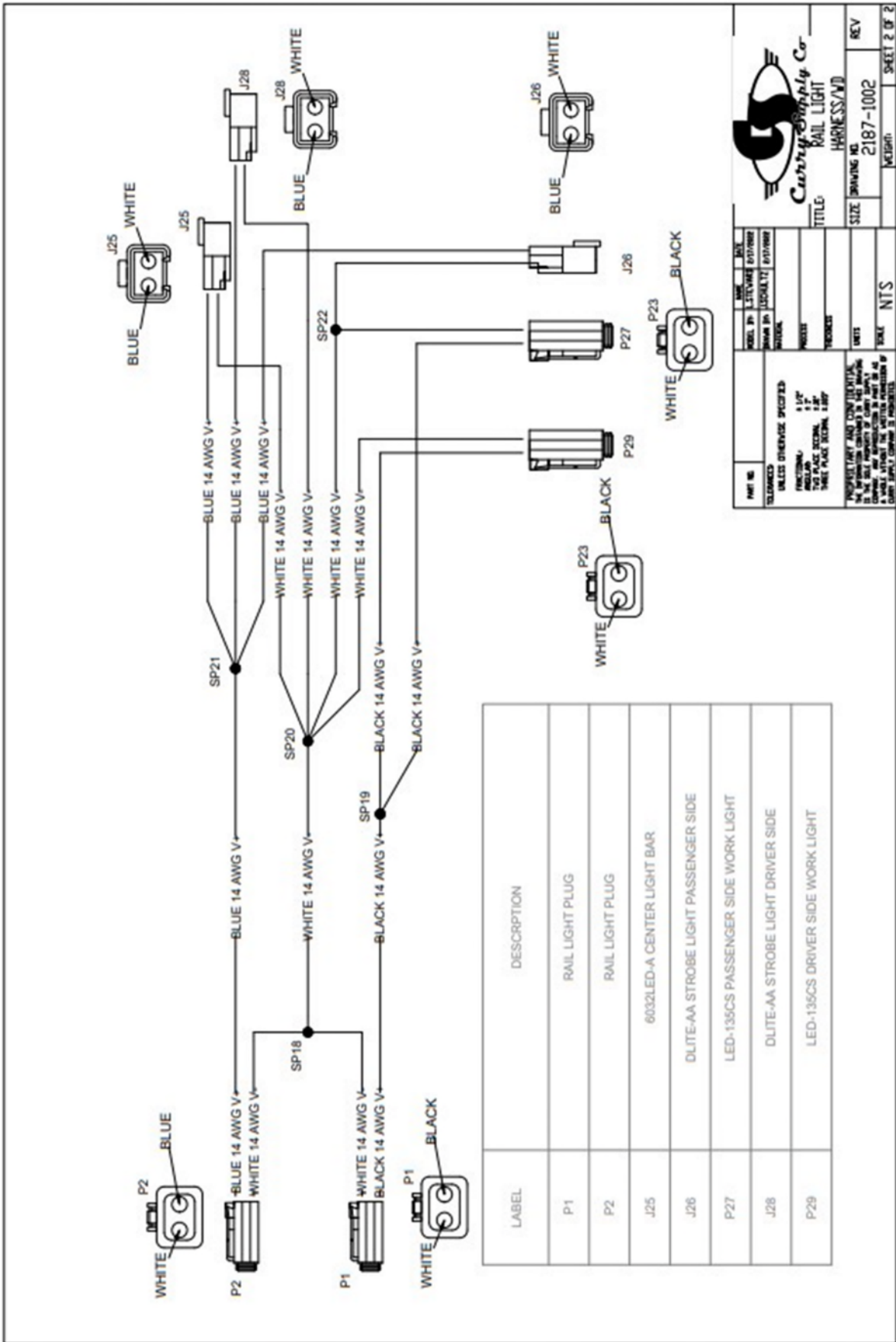
PART NO	REV	DATE	BY	CHK
<small>UNLESS OTHERWISE SPECIFIED: FINISHES: 1 1/2" DIMENSIONS: 1/8" TOLERANCES: 1/8" TYPICAL: 1/8" TABLE PLACE: 1/8" TABLE PLACE: 1/8" TABLE PLACE: 1/8"</small>				
<small>PROPRIETARY AND CONFIDENTIAL ALL INFORMATION CONTAINED HEREIN IS UNCLASSIFIED EXCEPT WHERE SHOWN OTHERWISE AND IS TO BE KEPT CONFIDENTIAL A WAIVER ATTACHED TO THE VENDOR AGREEMENT TO BUY SHALL APPLY UNLESS OTHERWISE SPECIFIED</small>				
MODEL BY: SITAVANCE (BY/FORM) DRAWN BY: LIQUIDITY (BY/FORM) CHECKED: _____ REVISIONS: _____ UNITS: _____ SCALE: NTS			 Carney Supply Co. TITLE: CAB HARNESS	
SIZE: 2187-1003			WEIGHT: _____ REV: _____ SHEET 1 OF 9	



Curry Supply Co.
 RAIL LIGHT HARNESS/MD
 SIZE 2187-1002
 REV 0
 SHEET 1 OF 2

TECHNICAL SPECIFICATIONS:
 WIRE GAUGE: 14 AWG
 WIRE COLOR: BLUE, BLACK, WHITE
 WIRE TYPE: STRANDED
 WIRE LENGTH: 75'-1/2"
 WIRE WEIGHT: 1.85 LB

PROBABILITY AND CONFIDENTIALITY:
 THIS DRAWING IS THE PROPERTY OF CURRY SUPPLY COMPANY. IT IS TO BE KEPT CONFIDENTIAL AND NOT TO BE REPRODUCED OR TRANSMITTED IN ANY FORM OR BY ANY MEANS, ELECTRONIC OR MECHANICAL, INCLUDING PHOTOCOPYING, RECORDING, OR BY ANY INFORMATION STORAGE AND RETRIEVAL SYSTEM, WITHOUT THE WRITTEN PERMISSION OF CURRY SUPPLY COMPANY. © 2018



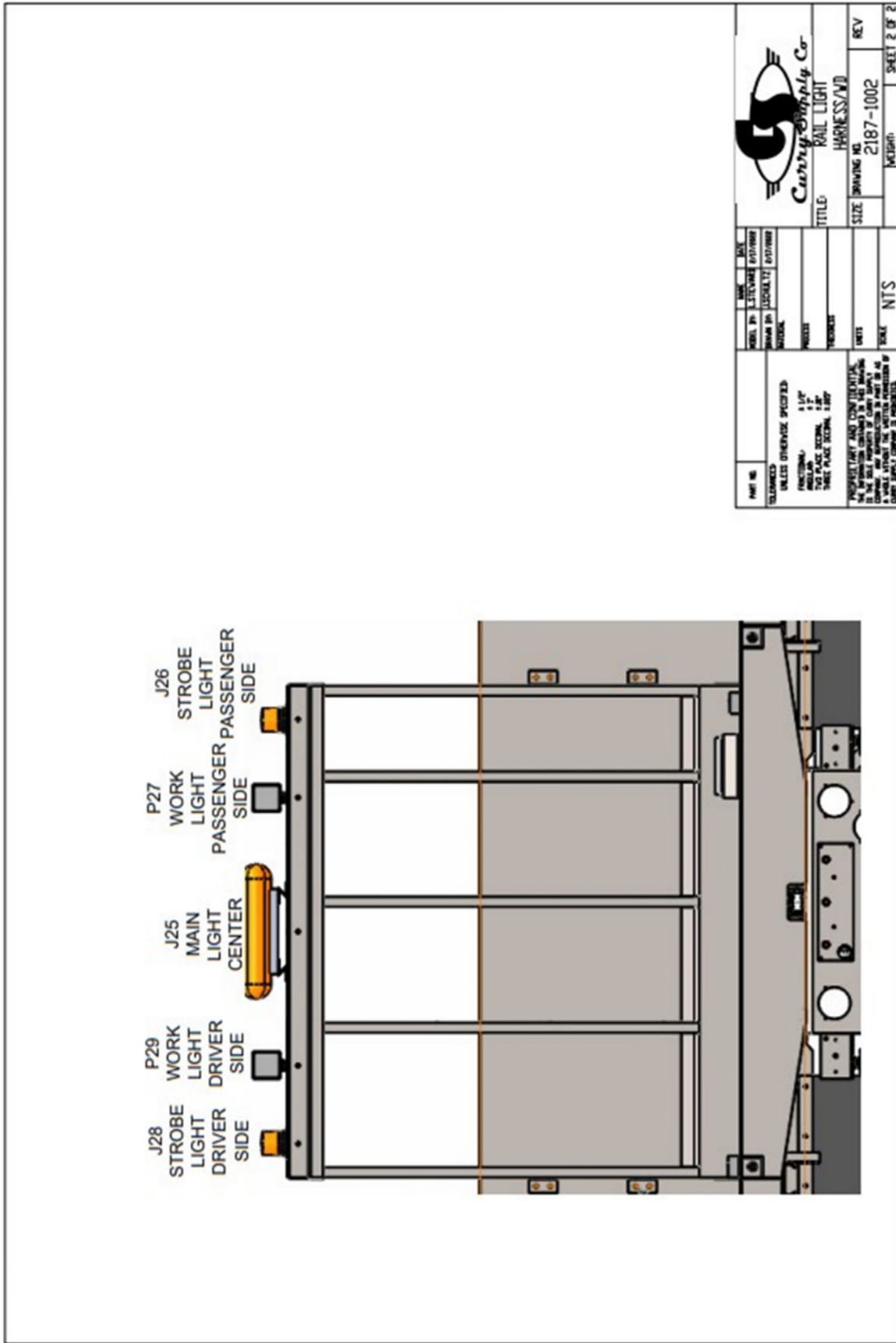
LABEL	DESCRIPTION
P1	RAIL LIGHT PLUG
P2	RAIL LIGHT PLUG
J25	6032LED-A CENTER LIGHT BAR
J26	DLITE-AA STROBE LIGHT PASSENGER SIDE
P27	LED-135CS PASSENGER SIDE WORK LIGHT
J28	DLITE-AA STROBE LIGHT DRIVER SIDE
P29	LED-135CS DRIVER SIDE WORK LIGHT

Cashway Supply Co.
RAIL LIGHT HARNESS/MD

UNLESS OTHERWISE SPECIFIED:
 FUNCTIONAL: 8 1/2"
 MOUNTING: 8"
 MOUNTING: 8"
 MOUNTING: 8"
 MOUNTING: 8"

PROHIBIT (COPY AND CONFIDENTIAL)
 ALL INFORMATION CONTAINED IN THIS DRAWING IS THE SOLE PROPERTY OF CASHWAY SUPPLY CO. NO PART OF THIS DRAWING IS TO BE REPRODUCED OR TRANSMITTED IN ANY FORM OR BY ANY MEANS, WITHOUT THE WRITTEN PERMISSION OF CASHWAY SUPPLY COMPANY © 2024

MODEL NO. DATE
 QUANTITY
 PART NO.
 TITLE
 SIZE DRAWING NO. 2187-1002
 REV
 SHEET 2 OF 2



PART NO.	ISSUED	DATE
	REVISED	DATE
DRAWN BY	DESIGNED BY	DATE
	CHECKED BY	DATE
MATERIAL		
PROCESS		
FINISHES		
WEIGHT		
SCALE		
TITLE		
HARNES/A/D		
SIZE		
DRAWING NO.		
REV		
SHEET 2 OF 2		



REVISION TABLE


ZONE	REV	DESCRIPTION	DATE	APPROVED
	1	SEE NOTE 6	02/19/2024	
	2	SEE NOTE 7	05/22/2024	
	3	SEE NOTE 8	06/24/2024	JS

NOTES:
REFERENCE DOCUMENT:
 -BUILD CABLE HARNESS IN ACCORDANCE WITH
 IPC-620 OR EQUIVALENT

- ALTERNATE PART NO. ARE ALLOWED AS LONG AS THE ALTERNATE PART PROVIDES THE SAME FORM FIT AND FUNCTION. IF UNSURE PLEASE CONTACT CURRY SUPPLY ENGINEERING
- WRAP ELECTRICAL TAPE AT EACH JOINT ON THE HARNESS
- GOI BRAND WIRE SHALL BE USED
- ALL SW IN WIRING DIAGRAM SHALL BE DONE APPROXIMATELY 4" AWAY BEFORE BRAKE OUT OF HARNESS
- HARNESS IS TO BE LOOSED AND EACH JOINT IS TO BE TAPPED
- MARKER LIGHTS HAVE BEEN ADDED TO HARNESS ALONG WITH CONNECTORS AND BOM CHANGES
- DIMENSIONS CHANGED AS WELL AS PLUG ADDED ON BALLOON 13. NEED WIRE FOR MARKER LIGHTS. LIGHTS PLATE LIGHT ADDED BULLET CONNECTORS AS WELL AS TERMINAL
- ADDED DIMENSIONS TO STROBE PASS, 3 LIGHT MARKER, TAIL LIGHT MARKER, MARKER/GROUND TO FRAME LICENSE PLATE LIGHT, AND STROBE DRIVER REAR

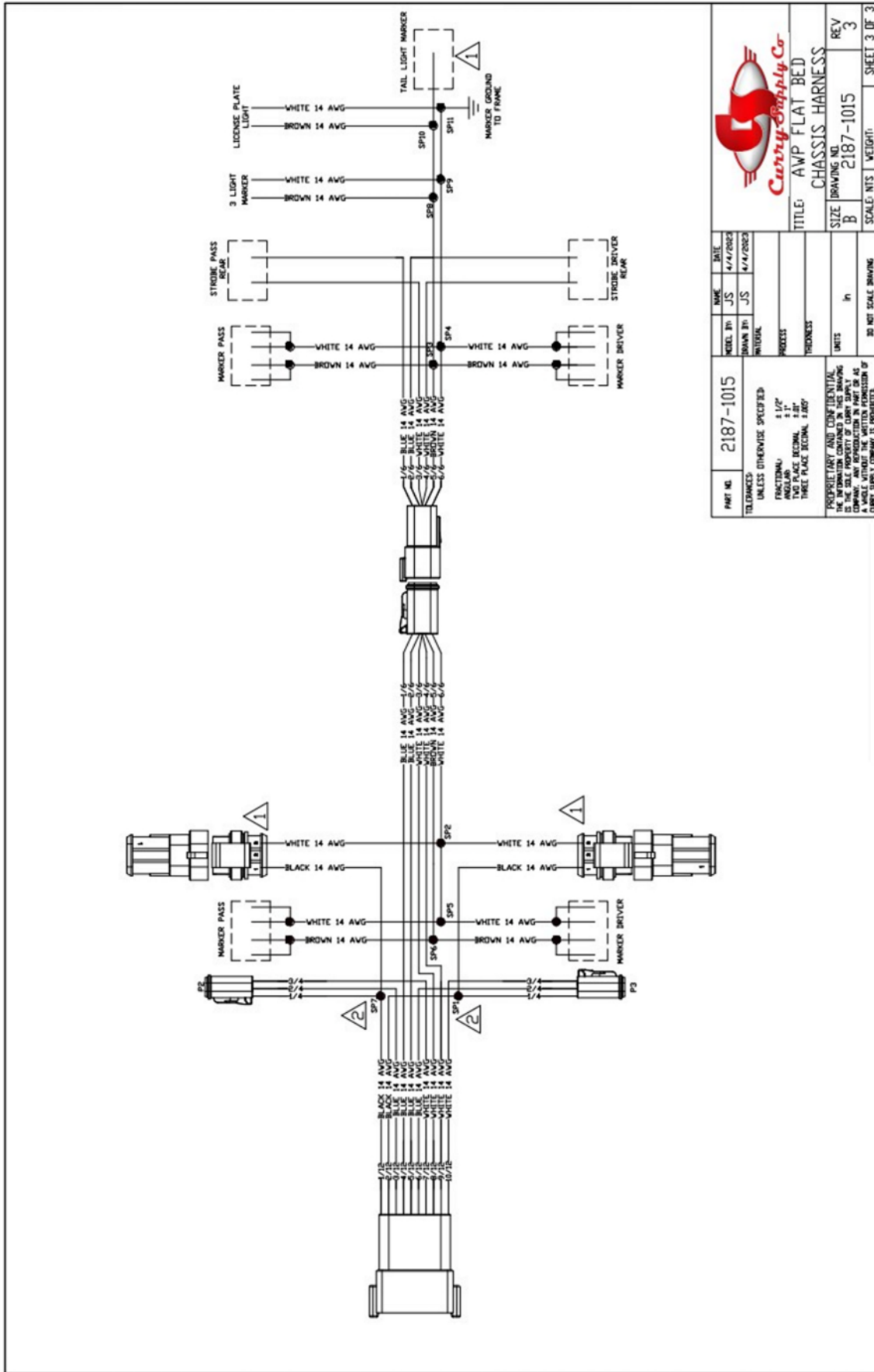
Item No.	QTY.	Part No.	Stock Desc.	Units
1	1	B104-109A	Housing for Male Terminals, Wire-to-Wire, 12 Position	ea
2	2	B106-45	PLUG BT 4 WAY	ea
3	2	W45	VEELOCK BT 4 WAY	ea
4	10	0462-209-10141	CON SOCKET SZ 16 14AVG	ea
5	4	9403-207-9405	Automotive Seals & Gully Plug, PBT	ea
6	1	V12P	Automotive Connector, Locks & Position Assurance, Secondary Lock, Green, PBT, 12 Position	ea
7	16	0460-215-10141	Automotive Terminals, Pin, Pin Diameter: 159 mm L693 10, 14 AVG Wire	ea
8	2		16-14 to 22-18 splice reducer	ea
9	1	B104-4P	Housing for Male Terminals, Wire-to-Wire, 4 Position	ea
10	1	V4P	Automotive Connector, Locks & Position Assurance, Secondary Lock,	ea
11	1	B106-45	PLUG BT 4WAY	ea
12	1	W45	Automotive Connector, Locks & Position Assurance, Secondary Lock,	ea
13	2	280087-1	AMP SUPERSEAL 15 SERIES 3P PL	ea
14	4	280466-1	MINI MIC HOPT CONTACT 31.5- single wire seal	ea
15	6	280934-4	AMP SUPERSEAL 15 SERIES 3P CA	ea
16	2	280209-1	RUBBER PLUG	ea
17	6	280201-1	16-14 AVG Power Plug, 187V Blue Female Sealed Crimp Bullet Receptacle	ea
18	20	0747209	16-14 AVG Power Plug - 1/4" Stud Blue Polyolefin Sealed Crimp Ring Terminal	ea
19	1	58605		ea



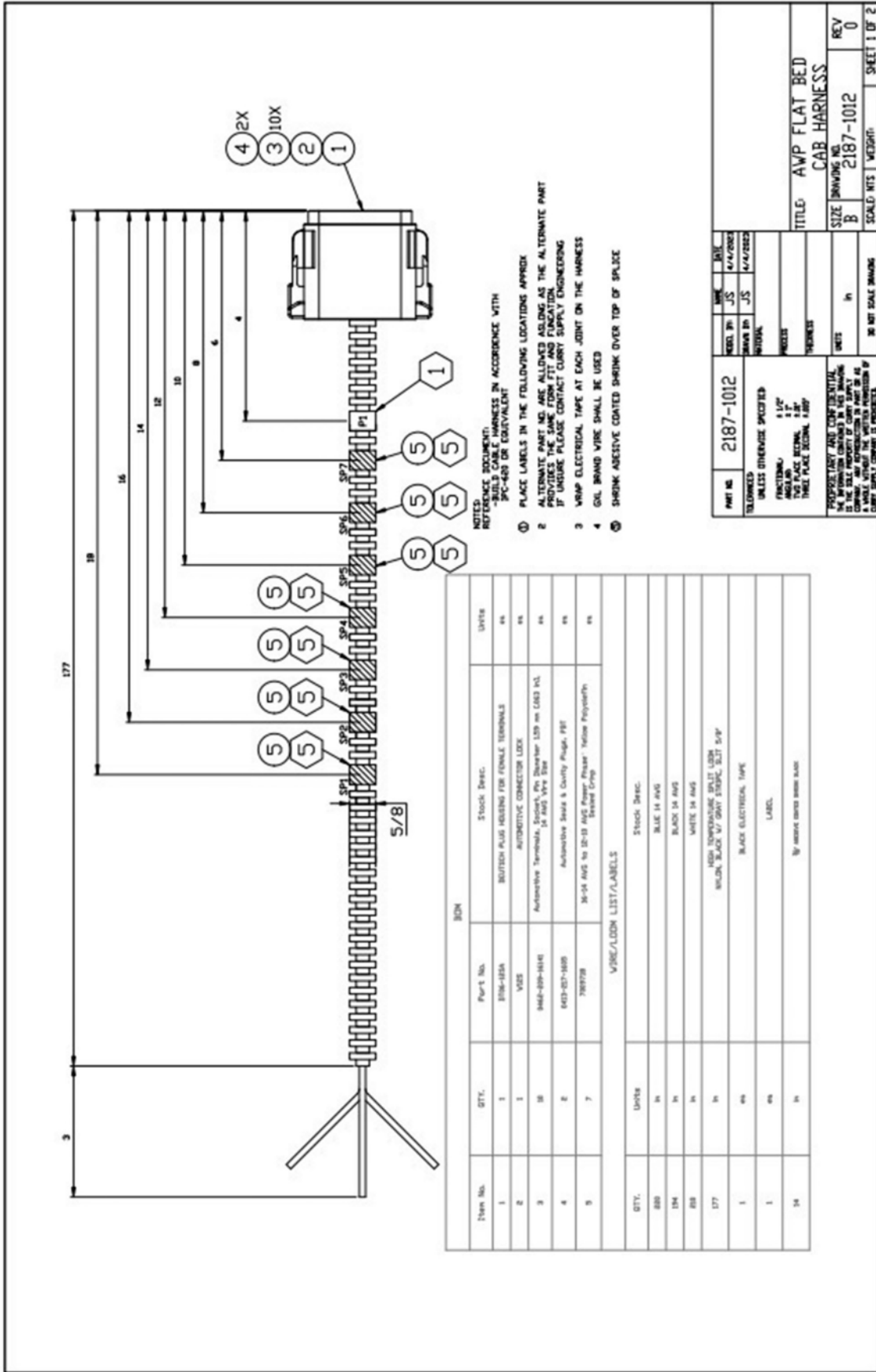


Curry Supply Co.
 AMP FLAT BED
 CHASSIS HARNESS

PART NO.	2187-1015	DATE	4/4/2023
TOLERANCES	UNLESS OTHERWISE SPECIFIED	DESIGN BY	JS
FUNCTION:	4 WIRE	PROCESS	WIRING
TAG PLACE DECIMAL:	0.1"	THICKNESS	
THREE PLACE DECIMAL:	0.01"	UNITS	In
THREE PLACE DECIMAL:	0.001"	SCALE:	AS NOTED DRAWING
PROBABILITY / NOT IDENTIFIED:		SIZE	2187-1015
THE MATERIALS LISTED IN THIS DRAWING		B	REV 3
IS THE SOLE PROPERTY OF CURRY SUPPLY		SCALE: NTS WEIGHT:	SHEET 1 OF 3
IT IS TO BE USED ONLY FOR THE PARTS LISTED			
IT IS NOT TO BE REPRODUCED OR COPIED			
WITHOUT THE WRITTEN PERMISSION OF			
CURRY SUPPLY COMPANY, INC. PROPERTIES			



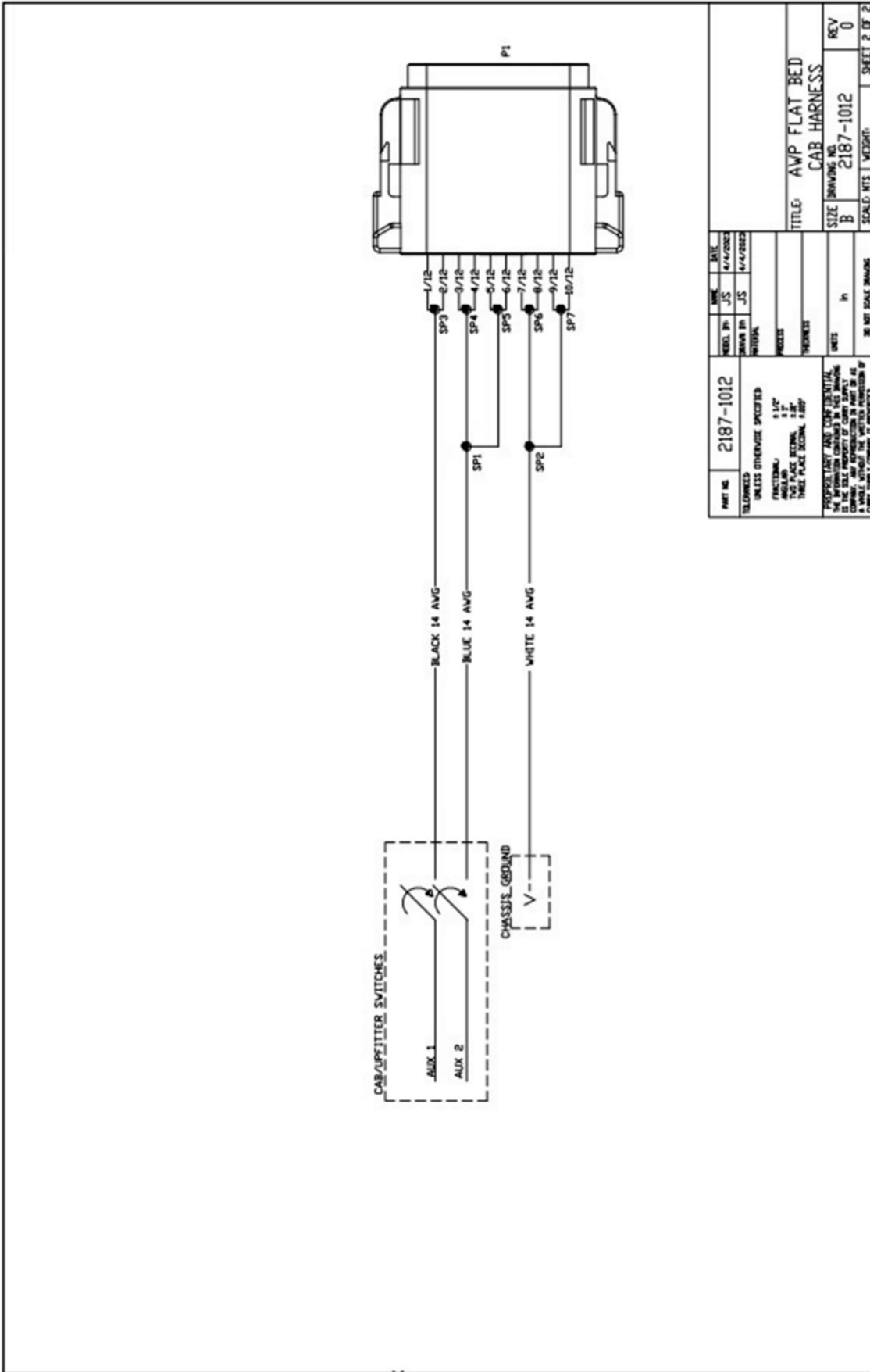
PART NO. 2187-1015		DATE 4/4/2008
DESIGNED BY JS	DRAWN BY JS	DATE 4/4/2008
MATERIAL PROCESS FINISHES		
UNLESS OTHERWISE SPECIFIED:		
FRACTIONAL 1/2"		
DECIMAL TWO PLACE DECIMAL 1.25"		
THREE PLACE DECIMAL 1.250"		
PROPRIETARY AND CONFIDENTIAL IT IS THE POLICY OF CURRY SUPPLY CO. TO PROTECT THE RIGHTS OF INVENTION AND TO ENFORCE PATENT RIGHTS. ANY REPRODUCTION IN PART OR AS A WHOLE WITHOUT THE WRITTEN PERMISSION OF CURRY SUPPLY COMPANY IS PROHIBITED.		
TITLE: AWP FLAT BED CHASSIS HARNESS		REV 3
SIZE B	DRAWING NO. 2187-1015	WEIGHT
SCALE: NTS	IN	SHEET 3 OF 3
DO NOT SCALE DRAWING		



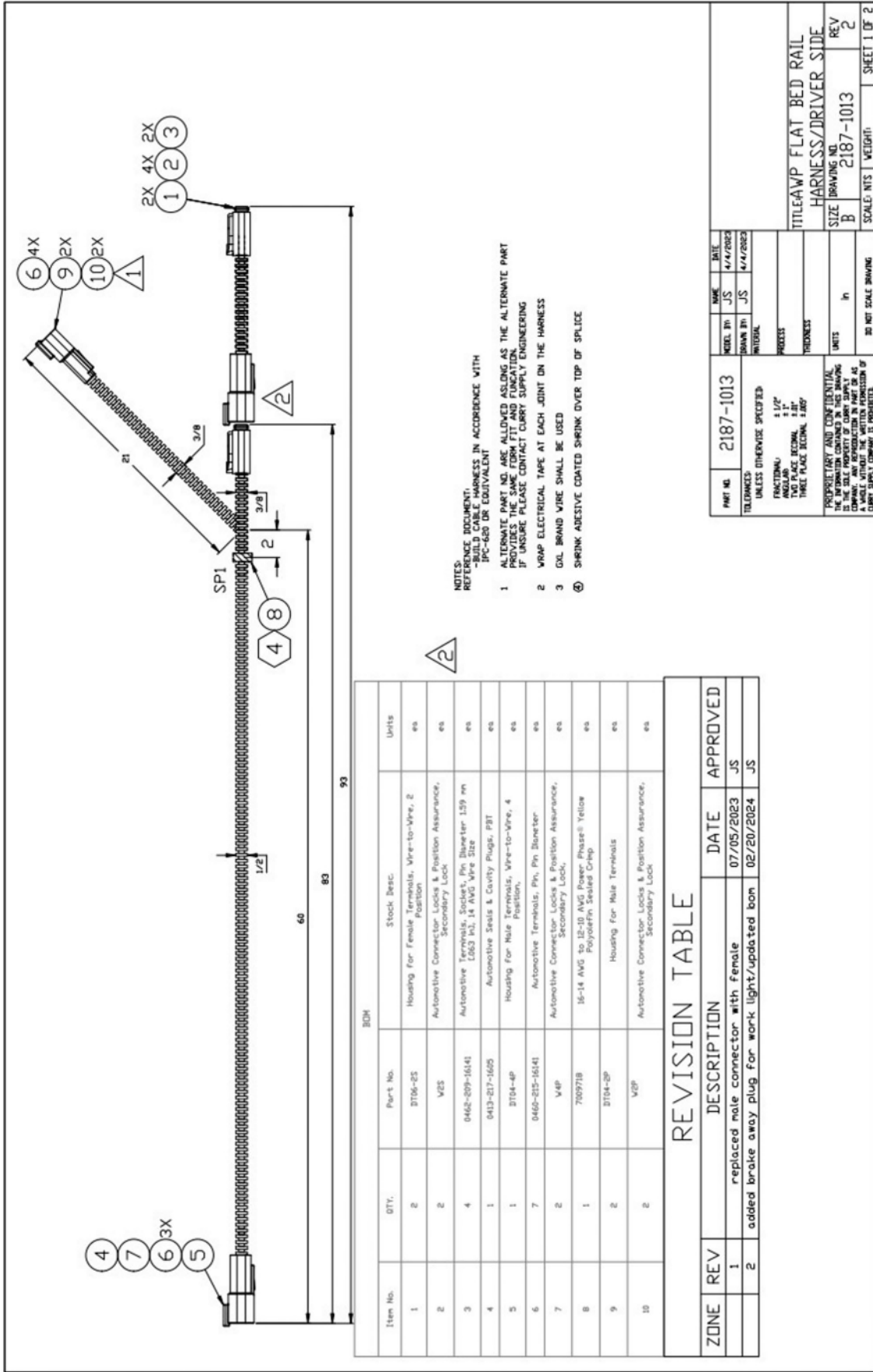
- NOTES:
 REFERENCE DOCUMENT:
 -BUILT CABLE HARNESS IN ACCORDANCE WITH
 3PC-403 OR EQUIVALENT
- 1 PLACE LABELS IN THE FOLLOWING LOCATIONS APPROX
 - 2 ALTERNATE PARTS ARE ALLOWED AS LONG AS THE ALTERNATE PART PROVIDES THE SAME FIT AND FUNCTION. IF UNSURE PLEASE CONTACT CLARY SUPPLY ENGINEERING
 - 3 WAMP ELECTRICAL TAPE AT EACH JOINT ON THE HARNESS
 - 4 GIL BRAND WIRE SHALL BE USED
 - 5 SHRINK ADHESIVE COATED SHRINK OVER TOP OF SPLICE

Item No.	QTY.	Part No.	Stock Desc.	UNITS
1	1	896-102A	BUITON PLUS HOUSING FOR FEMALE TERMINALS	EA
2	1	VOID	AUTOMOTIVE CONNECTOR LOCK	EA
3	10	1462-209-1014	Automotive Terminal, Socket, Pin Diameter 1.25 mm CR3 10. 14 AWG Wire Size	EA
4	2	603-207-1009	Automotive Seal & Dusty Plug, PBT	EA
5	7	798778	36-14 AWG to 12-18 AWG Power Prester Yellow Polyester/Ph Braided Core	EA
VHRC/LDGN LIST/LABELS				
QTY.	UNITS	Stock Desc.		
88	IN	BLUE 14 AWG		
194	IN	BLACK 14 AWG		
208	IN	WHITE 14 AWG		
177	IN	HIGH TEMPERATURE SPLIT LOCK BROWN BLACK W/ GRAY STRIP, SPLIT 5/8"		
1	EA	BLACK ELECTRICAL TAPE		
1	EA	LABEL		
14	IN	1/2" WHITE COTTON WEAVER		

PART NO.	2187-1012	DATE	REV.
DESIGNED BY	JS	DATE	6/14/2022
CHECKED BY	JS	DATE	6/14/2022
APPROVED BY	JS	DATE	6/14/2022
TOLERANCES UNLESS OTHERWISE SPECIFIED			
FRACTIONAL	1/16"		
DECIMAL	0.005"		
ANGLE	15°		
THREADS PER INCH	11.5"		
WELD SYMBOLS	SEE PLACE SECOND, 1.00P		
PROPERTIES			
FINISHES			
TEXT			
SIZE	IN		
SCALE	AS SHOWN		
TITLE	AWP FLAT BED CAB HARNESS		
SIZE	B		
REV	0		
SCALE	NITS		
WEIGHT	SHEET 1 OF 2		



PART NO.	2187-1012	DATE	6/4/2002
DESIGNED BY	JS	DATE	6/4/2002
DESIGNED BY	JS	DATE	6/4/2002
UNLESS OTHERWISE SPECIFIED			
FINISHING: 1.1"			
MATERIAL: 1.1"			
TAG PLACE SECOND: 1.1"			
THICK PLACE SECOND: 1.1"			
PROPERTY AND CONFIDENTIALITY NOTICE: THIS DRAWING IS THE PROPERTY OF CARTER AVIATION COMPANY. ALL INFORMATION IS UNCLASSIFIED UNLESS INDICATED OTHERWISE IN THE DRAWING.			
TITLE: AWP FLAT BED CAB HARNESS		SCALE: NTS	
SIZE: B		WEIGHT: 0	
DRAWING NO: 2187-1012		REV: 0	
SHEET: 2 OF 2		SHEET: 2 OF 2	

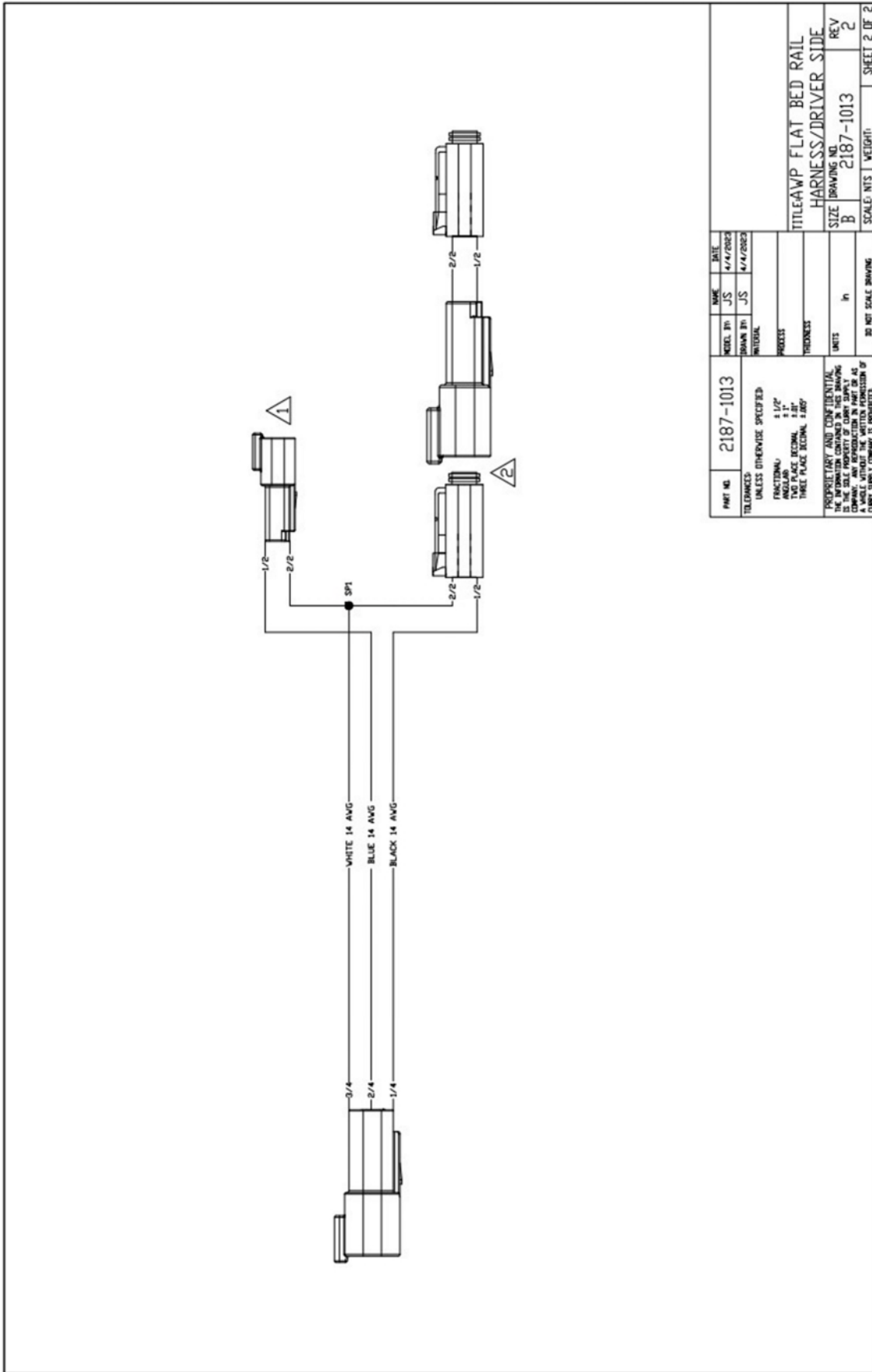


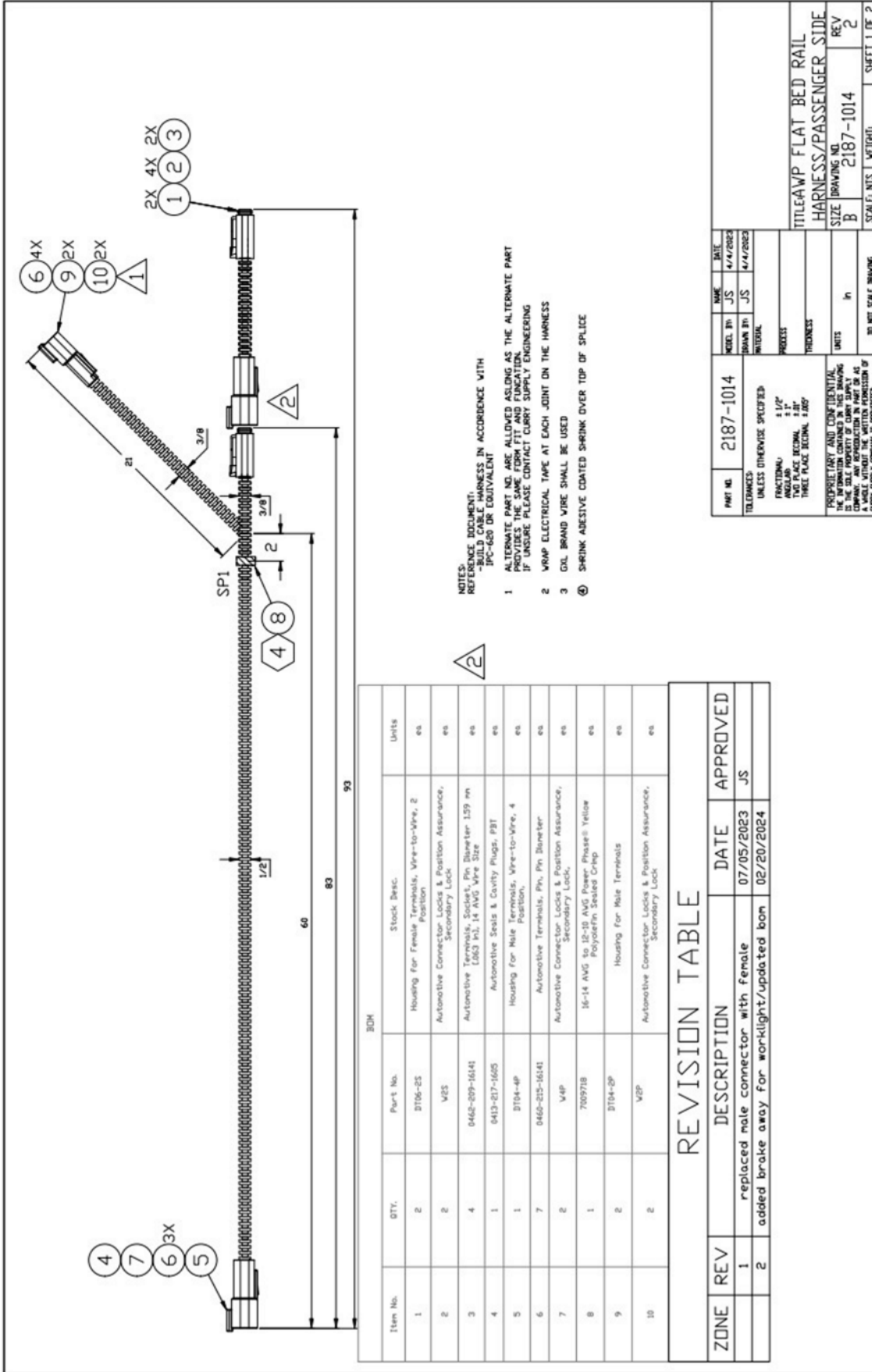
- NOTES:
 REFERENCE DOCUMENT:
 - BUILD TO THIS DRAWING IN ACCORDANCE WITH
 PC-603 OR EQUIVALENT
- 1 ALTERNATE PART NO. ARE ALLOWED AS LONG AS THE ALTERNATE PART
 PROVIDES THE SAME FUNCTIONALITY AND PERFORMANCE.
 IF UNSURE PLEASE CONTACT CARRY SUPPLY ENGINEERING
 - 2 WRAP ELECTRICAL TAPE AT EACH JOINT ON THE HARNESS
 - 3 OOL BRAND WIRE SHALL BE USED
 - ④ SHRINK ADESYTE COATED SHRINK OVER TOP OF SPLICE

Item No.	QTY.	Part No.	Stock Desc.	Units
1	2	DT16-25	Housing For Female Terminals, Wire-to-Wire, 2 Position	ea
2	2	VES	Automotive Connector Locks & Position Assurance, Secondary Lock	ea
3	4	0462-209-16141	Automotive Terminals, Socket, Pin Spaceter 129 mm LOG 3 MIL 14 AVG. Wire Size	ea
4	1	0413-217-1605	Automotive Srets & Cavity Plugs, PBT	ea
5	1	DT04-4P	Housing For Male Terminals, Wire-to-Wire, 4 Position,	ea
6	7	0465-215-16141	Automotive Terminals, Pin, Pin Spaceter	ea
7	2	VAP	Automotive Connector Locks & Position Assurance, Secondary Lock	ea
8	1	7009718	16-14 AVG to 12-10 AVG Power Phase [®] Yellow Polyolefin Sealed Crimp	ea
9	2	DT04-2P	Housing For Male Terminals	ea
10	2	V2P	Automotive Connector Locks & Position Assurance, Secondary Lock	ea

REVISION TABLE			
ZONE	REV	DESCRIPTION	DATE
	1	replaced male connector with female	07/05/2023 JS
	2	added brake away plug for work light/updated bon	02/20/2024 JS

PART NO.	2187-1013	DATE	4/4/2023
DESIGNER	JS	DATE	4/4/2023
DRAWN BY	JS	DATE	4/4/2023
MATERIAL			
PROCESS			
TOLERANCES	UNLESS OTHERWISE SPECIFIED		
FRACTIONAL	1/16"		
TWO PLACE DECIMAL	0.01"		
THREE PLACE DECIMAL	0.001"		
PROPRIETARY AND CONFIDENTIAL			
THIS DRAWING IS THE PROPERTY OF CARRY SUPPLY ENGINEERING			
NO REPRODUCTION IN PART OR AS A WHOLE WITHOUT THE WRITTEN PERMISSION OF CARRY SUPPLY ENGINEERING IS PROHIBITED.			
TITLE	FLAT BED RAIL HARNESS/DRIVER SIDE		
SIZE	B	REV	2
DRAWING NO.	2187-1013		
SCALE	NTS	WEIGHT	SHEET 1 OF 2





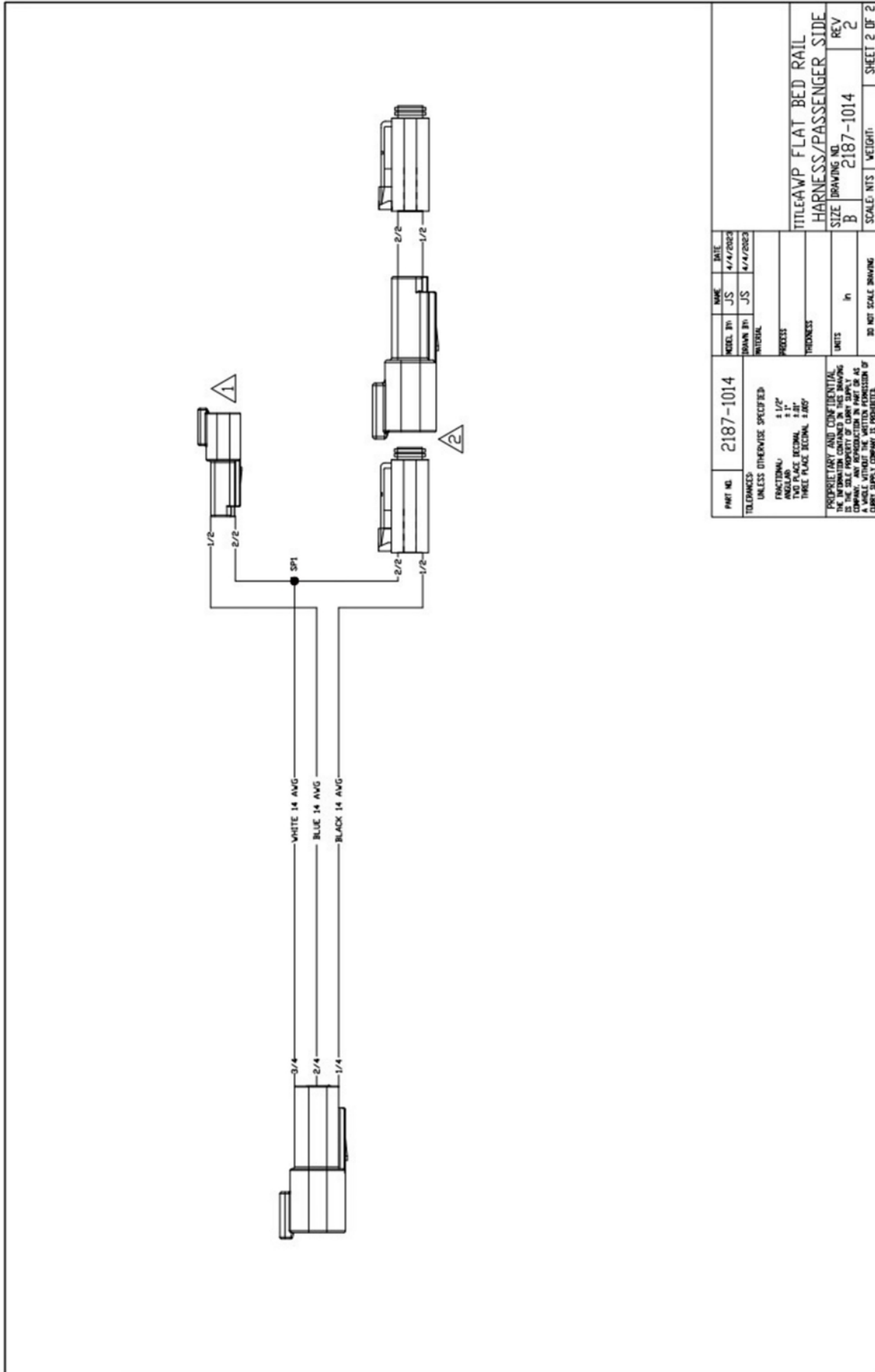
- NOTES:**
 REFERENCE DOCUMENT:
 - BUILD CABLE HARNESS IN ACCORDANCE WITH IPC-665 OR EQUIVALENT
- ALTERNATE PART NO. ARE ALLOWED AS LONG AS THE ALTERNATE PART PROVIDES THE SAME FORM FIT AND FUNCTION. IF UNSURE PLEASE CONTACT CURRY SUPPLY ENGINEERING
 - WRAP ELECTRICAL TAPE AT EACH JOINT ON THE HARNESS
 - ODL BRAND WIRE SHALL BE USED
 - SHRINK ADHESIVE COATED SHRINK OVER TOP OF SPLICE

Item No.	QTY.	Part No.	Stock Desc.	Units
1	2	D106-25	Housing for Female Terminals, Wire-to-Wire, 2 Position	ea
2	2	V25	Automotive Connector Locks & Position Assurance, Secondary Lock	ea
3	4	0462-209-16141	Automotive Terminal, Socket, Pin Diameter 1.59 mm (0.629 in), 14 AWG Wire Size	ea
4	1	0413-217-16605	Automotive Seals & Cavity Plugs, PBT	ea
5	1	D104-4P	Housing for Male Terminals, Wire-to-Wire, 4 Position	ea
6	7	0462-205-16141	Automotive Terminal, Pin, Pin Diameter	ea
7	2	V4P	Automotive Connector Locks & Position Assurance, Secondary Lock	ea
8	1	7009718	16-14 AWG to 18-20 AWG Power Phases Yellow Polyolefin Sealed Crimp	ea
9	2	D104-2P	Housing for Male Terminals	ea
10	2	V2P	Automotive Connector Locks & Position Assurance, Secondary Lock	ea

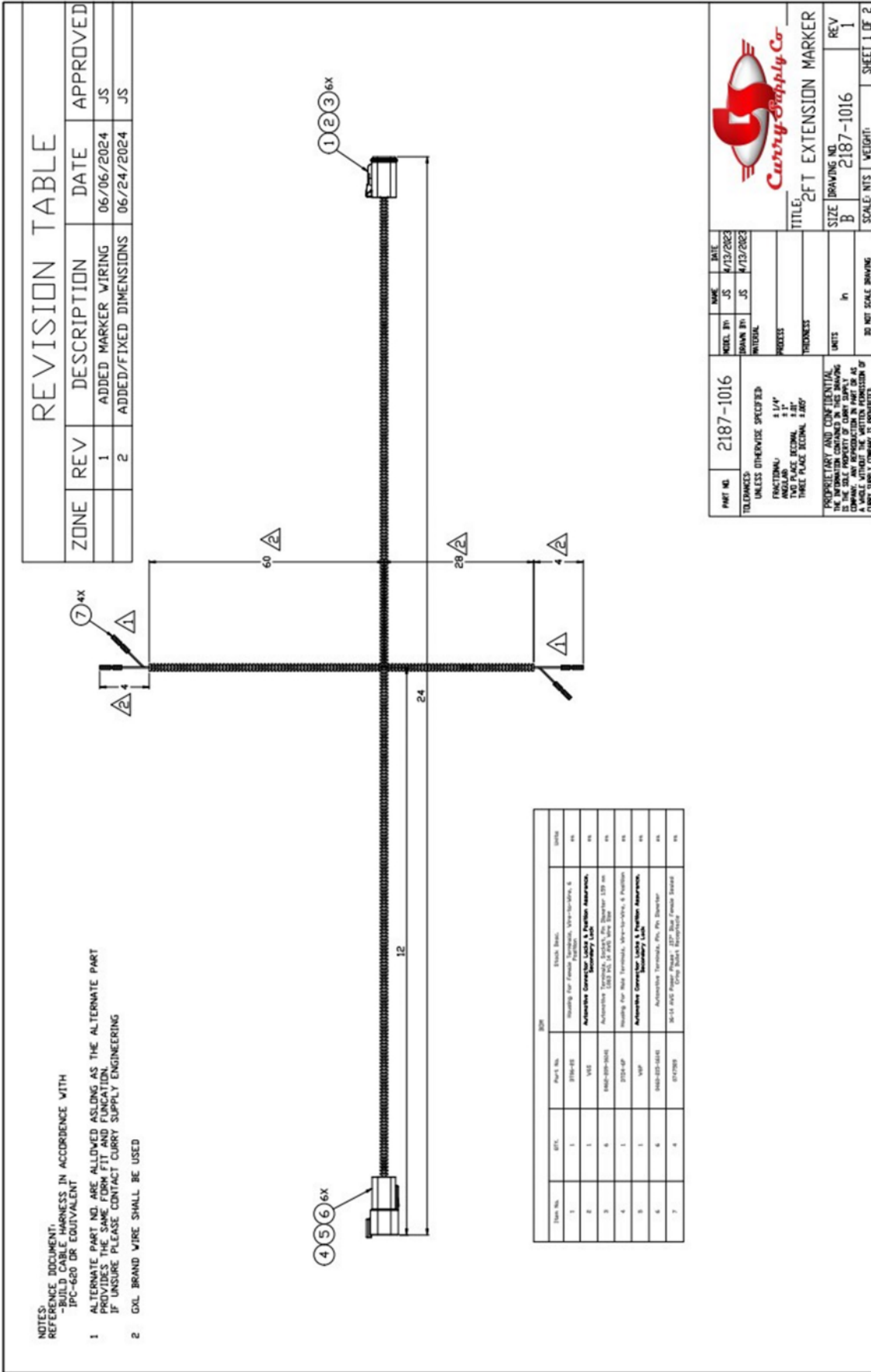
ZONE	REV	DESCRIPTION	DATE	APPROVED
	1	replaced male connector with female	07/05/2023	JS
	2	added brake away for work-light/updated bom	02/20/2024	

REVISION TABLE

PART NO.	2187-1014	NAME	JS	DATE	4/4/2022
TELEPHONE	UNLESS OTHERWISE SPECIFIED	DESIGN BY	JS		
FUNCTION	4 1/2"	PROCESS			
TAG PLACE DECIMAL	0.01"	THICKNESS			
THREE PLACE DECIMAL	0.001"				
PROPRIETARY AND CONFIDENTIAL INFORMATION CONTAINED HEREIN IS THE SOLE PROPERTY OF CURRY SUPPLY COMPANY. ANY REPRODUCTION IN PART OR AS A WHOLE WITHOUT THE WRITTEN PERMISSION OF CURRY SUPPLY COMPANY IS PROHIBITED.					
TITLE: AWP FLAT BED RAIL HARNESS/PASSENGER SIDE			SCALE: NTS WEIGHT: SHEET 1 OF 2		
SIZE	DRAWING NO.	REV			
B	2187-1014	2			



PART NO.	2187-1014	NAME	JS	DATE	4/4/2023
TELEPHONE:		MODEL BY:	JS	DRAWN BY:	JS
		REVISION:			
		PROCESS:			
		TOLERANCES:			
		UNLESS OTHERWISE SPECIFIED:			
		FRACTIONAL:	± 1/2"		
		ANGULAR:	± 1°		
		1/16 PLACE DECIMAL:	± .01"		
		THREE PLACE DECIMAL:	± .001"		
		TOLERANCES:			
		PROPRIETARY AND CONFIDENTIAL			
		THE INFORMATION CONTAINED IN THIS DRAWING			
		IS THE SOLE PROPERTY OF CURRY SUPPLY AND			
		IS NOT TO BE REPRODUCED OR TRANSMITTED IN ANY			
		FORM OR BY ANY MEANS, ELECTRONIC OR MECHANICAL,			
		INCLUDING PHOTOCOPYING, RECORDING, OR BY ANY			
		INFORMATION STORAGE AND RETRIEVAL SYSTEMS.			
		NO PART OF THIS DRAWING IS TO BE REPRODUCED OR			
		TRANSMITTED IN ANY FORM OR BY ANY MEANS,			
		ELECTRONIC OR MECHANICAL, INCLUDING PHOTOCOPYING,			
		RECORDING, OR BY ANY INFORMATION STORAGE AND			
		RETRIEVAL SYSTEMS.			
		CURRY SUPPLY COMPANY IS PROHIBITED.			
		NO NET SCALE DRAWING			
		UNITS	In		
		SIZE	B		
		DRAWING NO.	2187-1014		
		REV	2		
		SCALE	N.T.S.	WEIGHT	
		TITLE	TITLE: AWP FLAT BED RAIL HARNESS/PASSENGER SIDE		



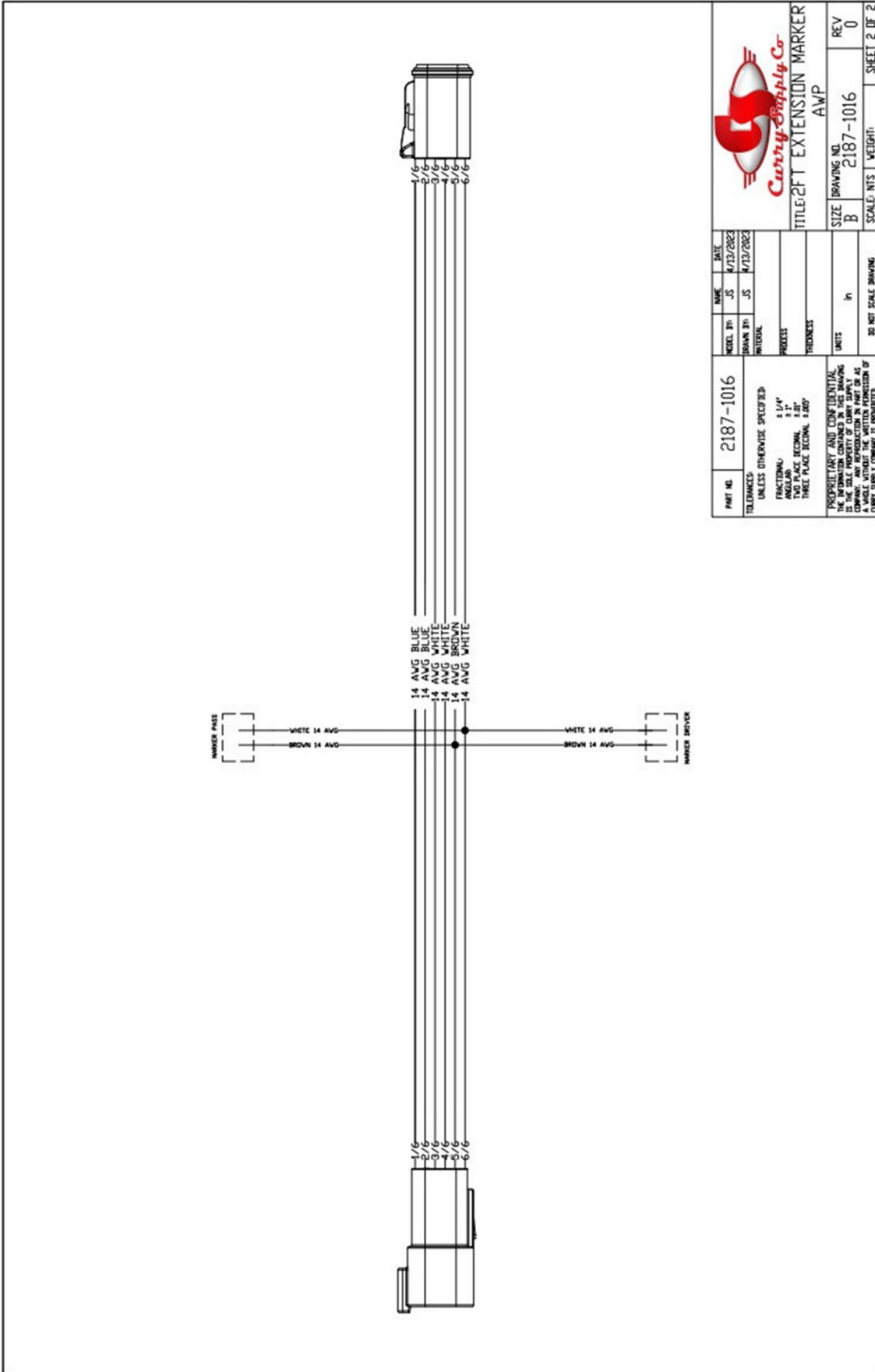
NOTES:
 REFERENCE DOCUMENT:
 -BUILD CABLE HARNESS IN ACCORDANCE WITH
 IPC-620 OR EQUIVALENT
 1 ALTERNATE PART NOS. ARE ALLOWED AS LONG AS THE ALTERNATE PART
 PROVIDES THE SAME FORM, FIT AND FUNCTION.
 IF UNSURE PLEASE CONTACT CARRY SUPPLY ENGINEERING
 2 GXL BRAND WIRE SHALL BE USED

REVISION TABLE				
ZONE	REV	DESCRIPTION	DATE	APPROVED
	1	ADDED MARKER WIRING	06/06/2024	JS
	2	ADDED/FIXED DIMENSIONS	06/24/2024	JS

Item No.	QTY.	Part No.	Part Name	Units
1	1	3040-01	Mounting for Female Terminator, 20x10x10, 6 Pin	001
2	1	100	Automatic Connector Lock & Proximal Assembly Secondary Lock	001
3	6	1000-100-1000	Automatic Terminator, 20x10x10, 6 Pin, 1.57 in	001
4	1	2000-01	Mounting for Male Terminator, 20x10x10, 6 Pin/6 Pin	001
5	1	100	Automatic Connector Lock & Proximal Secondary Lock	001
6	6	1000-100-1000	Automatic Terminator, 20x10x10, 6 Pin, 1.57 in	001
7	4	010000	20 FT PVC Puller Strap - 20 FT Red Fender Strap Cable Marker Replacement	001

PART NO. 2187-1016 UNLESS OTHERWISE SPECIFIED: FRACTIONAL: 1/16" DECIMAL: 0.005" TAP PLACE DECIMAL: 0.005" THREE PLACE DECIMAL: 0.005"	MODEL BY: JS DATE: 4/13/2023
	DRAWN BY: JS DATE: 4/13/2023
	PROCESS: THICKNESS:
TITLE: 2FT EXTENSION MARKER	
UNITS: in	SCALE: NTS WEIGHT:
DRAWING NO. 2187-1016	REV 1
SHEET 1 OF 2	





PART NO.	2187-1016	DATE	4/13/2023
UNLESS OTHERWISE SPECIFIED:		NAME	JS
FRACTIONAL:	1/4"	DRAWN BY:	JS
ANGLE:	30°	DATE	4/13/2023
DECIMAL:	0.00		
THREE PLACE DECIMAL:	0.000		
<p>PROPERTY AND CONFIDENTIAL INFORMATION CONTAINED IN THIS DRAWING IS THE PROPERTY OF CURRY SUPPLY COMPANY. ANY REPRODUCTION IN ANY FORM OR MANNER WITHOUT THE WRITTEN PERMISSION OF CURRY SUPPLY COMPANY IS PROHIBITED.</p>			
TITLE: 2FT EXTENSION MARKER AWP		SIZE	B
DRAWING NO.		SCALE:	NIS WEIGHT:
2187-1016		IN	
REV	0	SHEET 2 OF 2	