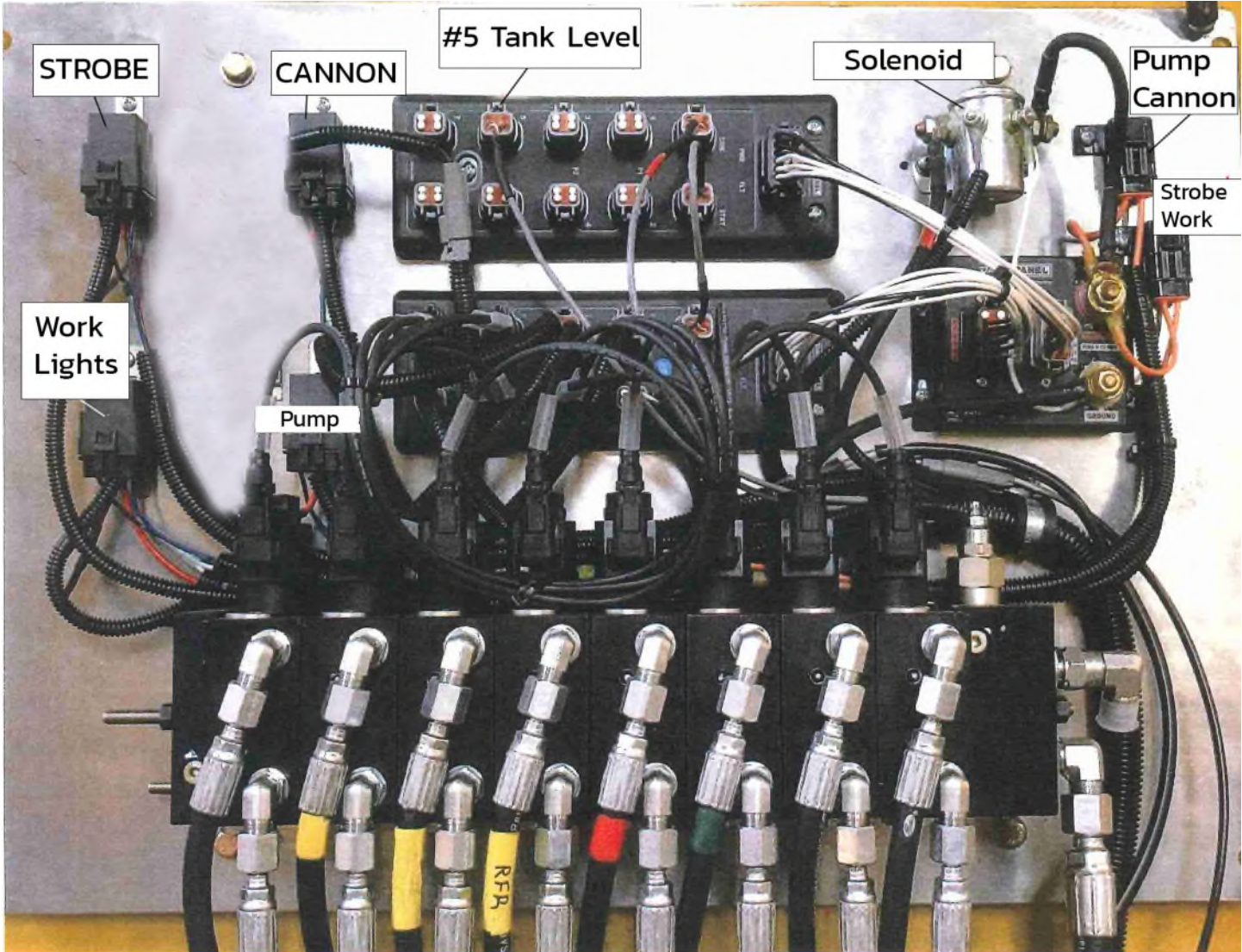


OFF ROAD WATER TRUCK

Schematics

- [Hydraulic Box Open Picture](#) [Page 2](#)
- [Hydraulic Valve System](#) [Page 3](#)
- [Hydraulic Valve System 2 sides, 3 rear, 2 Front spray heads & Level Sensor](#) [Page 4](#)
- [Hydraulic Valve System 2 side, 3 rear, and Level Sensor](#) [Page 5](#)
- [2 Line Dump Cylinder Connections](#) [Page 6](#)
- [4 Line Dump Cylinder Connections](#) [Page 7](#)
- [Chassis Harness Connection Overview](#) [Page 8](#)
- [Wire Harness Diagram](#) [Page 9](#)
- [Wire Harness Diagram 2](#) [Page 10](#)
- [Rear Wiring ID Picture](#) [Page 11](#)
- [Hale Primer Wiring](#) [Page 12](#)
- [Elkhart Nitro Water Cannon](#) [Page 13](#)
- [Spray Head System](#) [Page 14](#)

HYDRAULIC BOX OPEN VIEW

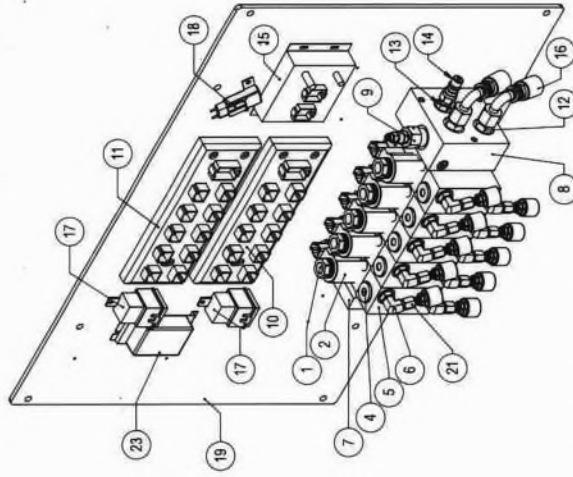


ITEM NO.	QTY.	PART NO.	STOCK DESC.
1	5	805314279	VALVE, SOLENOID, SV10-24-01-00-00-B-00
2	5	171148519	24V DE COIL, M16-24D-26M-DE
3	5	11169108	VALVE, CHECK, RPC06-5-00 PO PLUG, CAVITY, NCS060
4	5	920000619	MVB10-W-LH-6S
5	5	11195193	FITTING, 1/4 JIC - 3/8 MOR, 90 DEG, STEEL
6	10	6601-4-6	MVB10-E
7	1	11187937	INLET W/CAVITY FOR REDUCING VALVE
8	1	11233610	VALVE, REDUCING, PRMP PRMP 064-EN-1-00-35
9	1	83020488	OUTPUT BLOCK (COMPUTER)
10	1	DP-34044-5-100	INPUT/OUTPUT COMBO BLOCK
11	1	DP-34044-1	FITTING, 1/2" MJ - 1/2" MB
12	2	6400-8	FITTING, 3/8" MB - 1/4" MP, STEEL
13	1	6401-6-4	FITTING, PLUG, 1/4" COUPLING - FP
14	1	H2-2	2 CONNECTOR POWER SPLITTER
15	1	DP-37055-2	FITTING, 1/2" HOSE - 1/2" FJ SWIVEL, 90 DEG SHORT, STEEL
16	2	G25179-0808X	RELAY, 24V, WATER PROOF, 10/20A
17	2	H41398541	FUSE HOLDER, IN-LINE, ATO/ATC
18	1	784623	OFF ROAD HYD. VALVE BOX
19	1	1594-3300	SPRAY HEAD HOSE CONNECTIONS
20	10	G25170-0404X	FITTING, 1/4" HOSE - 1/4" FJ SWIVEL, STEEL
21	-	4657-0120	HOSE, 1/4", HYDRAULIC, MEDIUM PRESSURE
23	1	PST-DC20903-W	CONVERTER, 12/24V - 9V DC
24	2	52MJB8	SOCKET, WATER PROOF RELAY, WITH LEADS

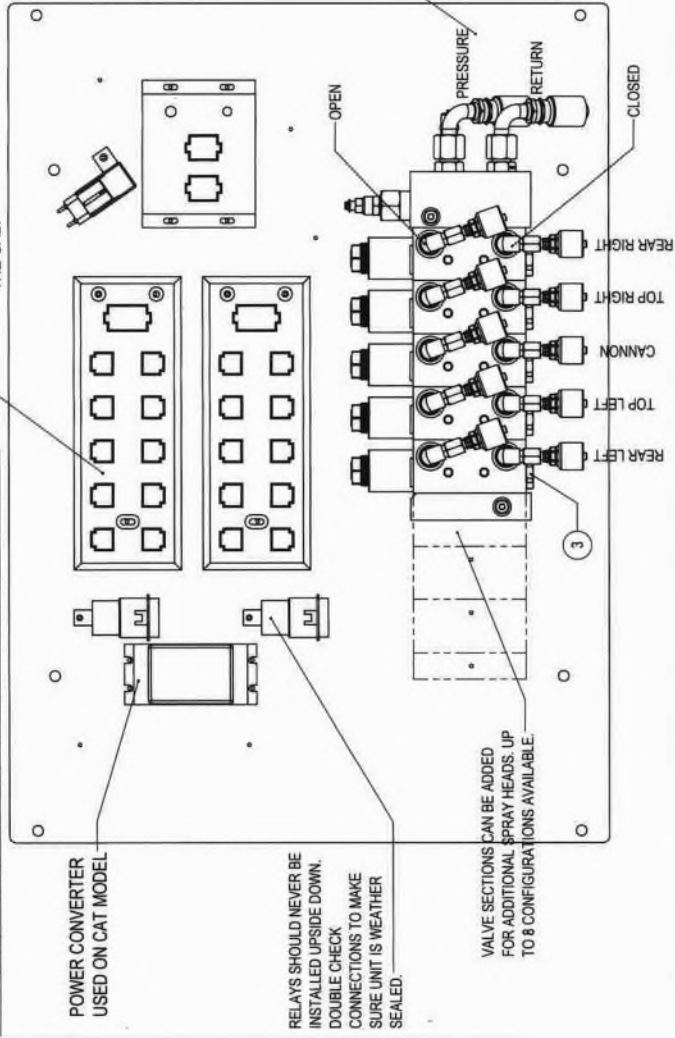
QTY.	PART NO.	STOCK DESC.	NOTES
1	DP-33025-3-002	KEYPAD/DISPLAY, 24V DC	LOCATED ON THE BACK OF THE CONTROL PAD
1	DP-34042-402	TERMINAL RESISTOR	
2	M-D185-XDBKIT	18 PIN CONNECTOR KIT	
1	DP-38022-400	PSF-2 CONNECTOR KIT	
1	RAM-202U	RAM MOUNT, 2.5" BASE	
1	RAM-107BU	RAM MOUNT, 1.5" RUGGED BASE	
1	RAM-201U	RAM MOUNT, DOUBLE SOCKET ARM	
1	7072-77501-7540060	PVAS ASSEMBLY KIT	ROD CONNECTOR KIT, PART NUMBERS DIFFER BASED ON THE AMOUNT OF VALVES USED
3		Y-CABLE, 2' LENGTH	

ITEMS NOT SHOWN

COMBO OUTPUT BLOCK IS USED WITH A TANK FILL INDICATOR. WHEN A TANK IS EQUIPPED WITH A DIGITAL LEVEL INDICATOR, TOGGING THE BOTTOM RIGHT BUTTON ON THE CONTROL PANEL BRINGS UP THE FILL DISPLAY ON THE CONTROLLER IN THE CAB.



ITEMS 1,2,3,4,5,6, 7, & 8 ARE TIED TO THE SPRAY HEAD COUNT. THIS ASSEMBLY MAKES UP THE CONTROL SYSTEM FOR (1) SPRAY HEAD UNIT.





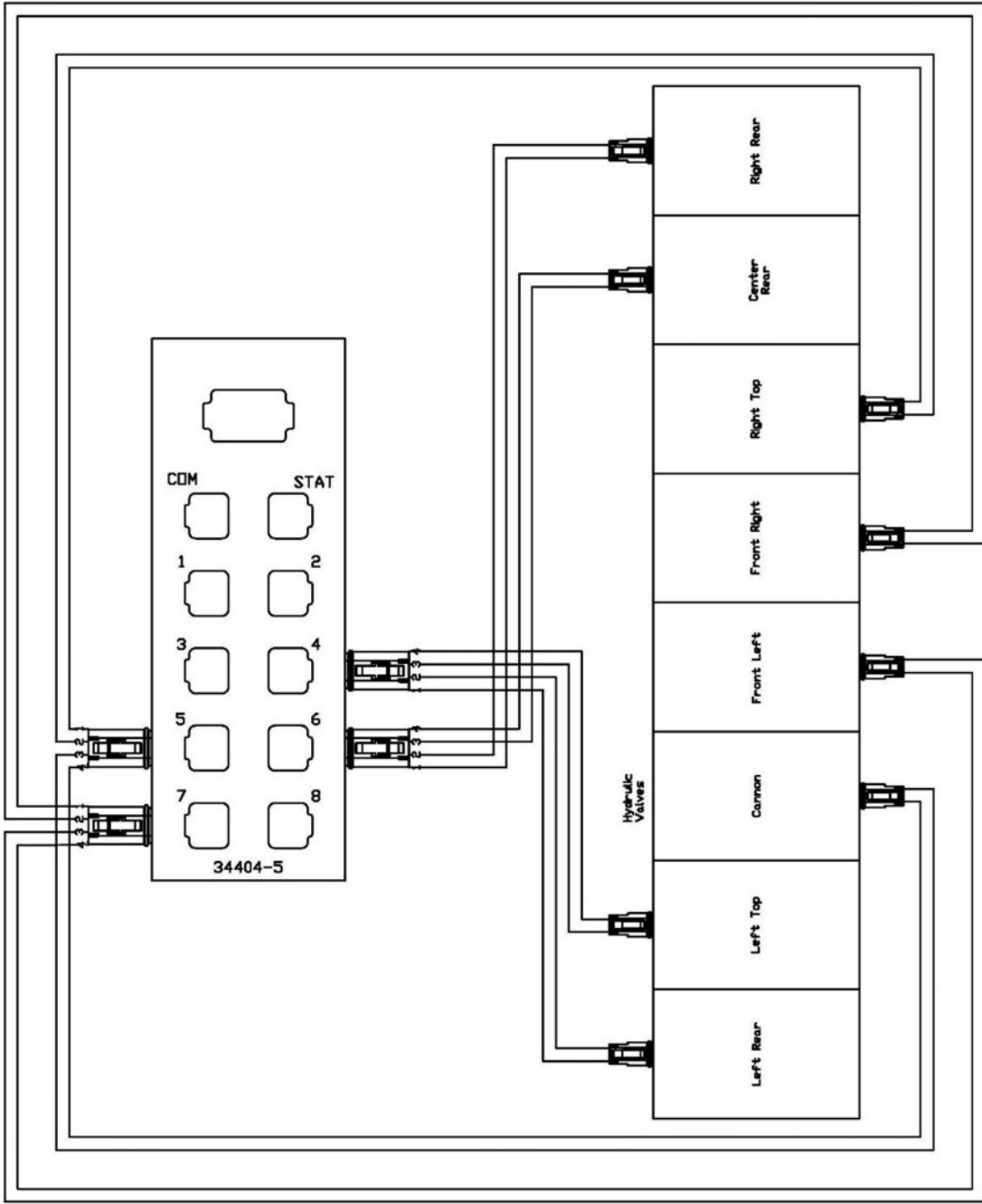
Curry Supply Co.


PART NO.	1634-7800	DATE	10/02/20
TOLERANCES:	UNLESS OTHERWISE SPECIFIED:	NAME	MILC
	FRACTIONAL: ± 1/8"	MODEL BY:	MILC
	ANGULAR: ± 1°	DRAWN BY:	MILC
	TWO PLACE DECIMAL: ± 0.01"	MATERIAL:	ASM
	THREE PLACE DECIMAL: ± 0.005"	PROCESS:	A
		FINISHES:	
PROPRIETARY AND CONFIDENTIAL		UNITS	In
THIS IS THE SOLE PROPERTY OF CURRY SUPPLY COMPANY. ANY REPRODUCTION IN PART OR AS A WHOLE WITHOUT THE WRITTEN PERMISSION OF CURRY SUPPLY COMPANY IS PROHIBITED.		SIZE	B
		DRAWING NO.	1634-7800
		REV	0
		WEIGHT:	

DO NOT SCALE DRAWING

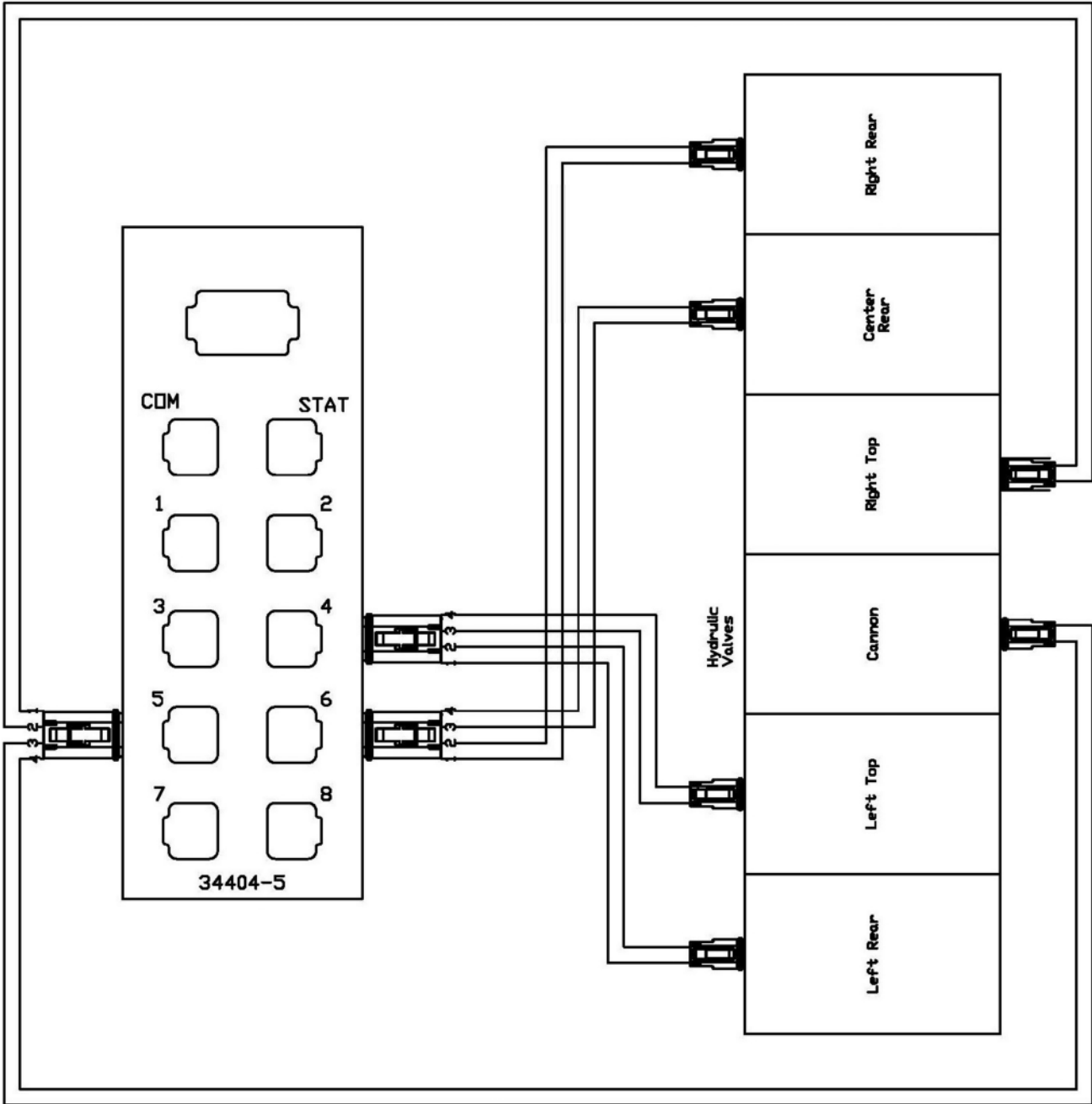


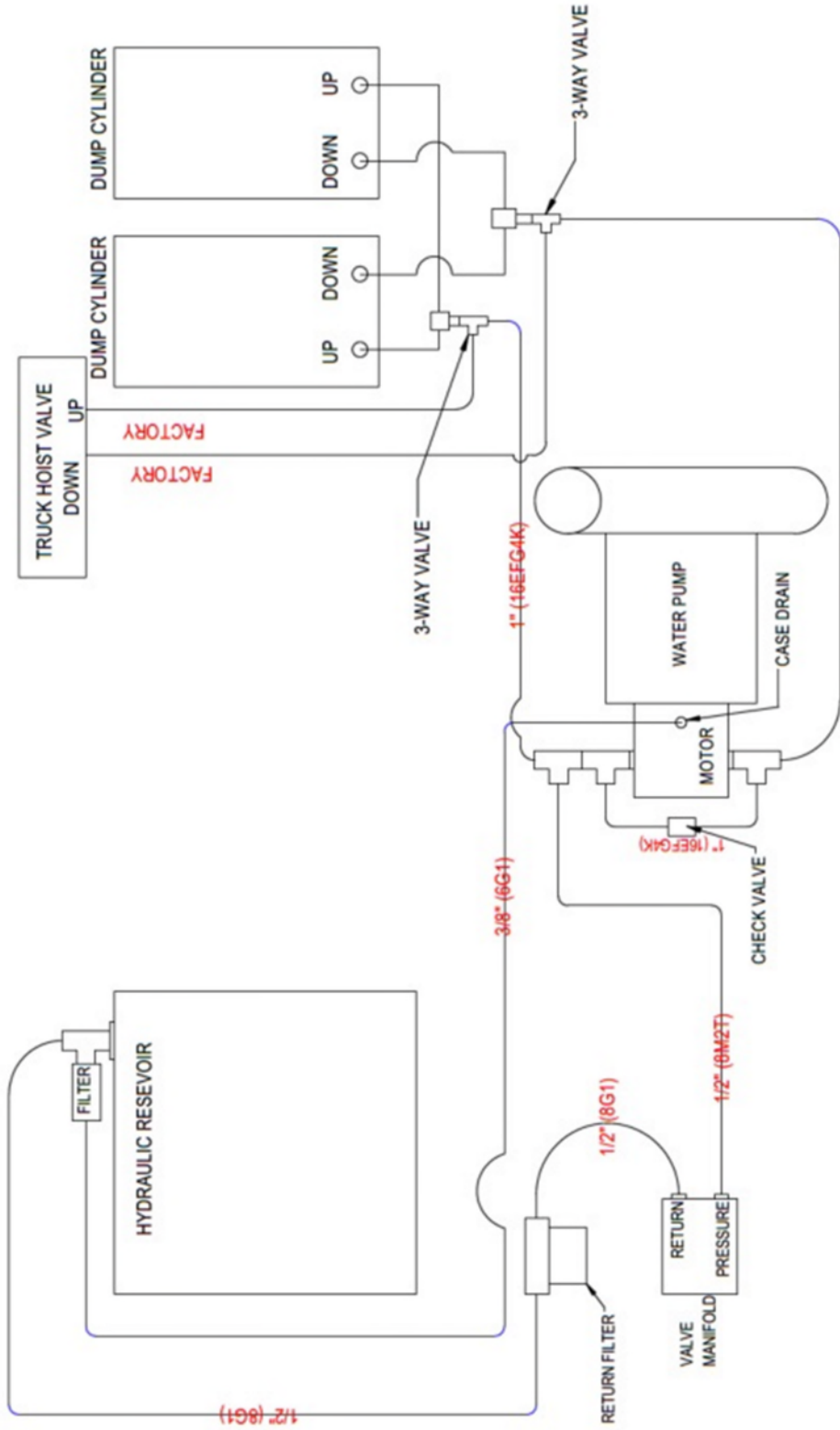
TITLE: ARTIC 2 SIDES 3 REAR 2 FRONT W/ LEVEL SENSOR	DATE: 9/24/83
DRAWING NO. 2187-1025	REV 2
SCALE: NTS	DRAWN BY: JS
SHEET 3 OF 4	



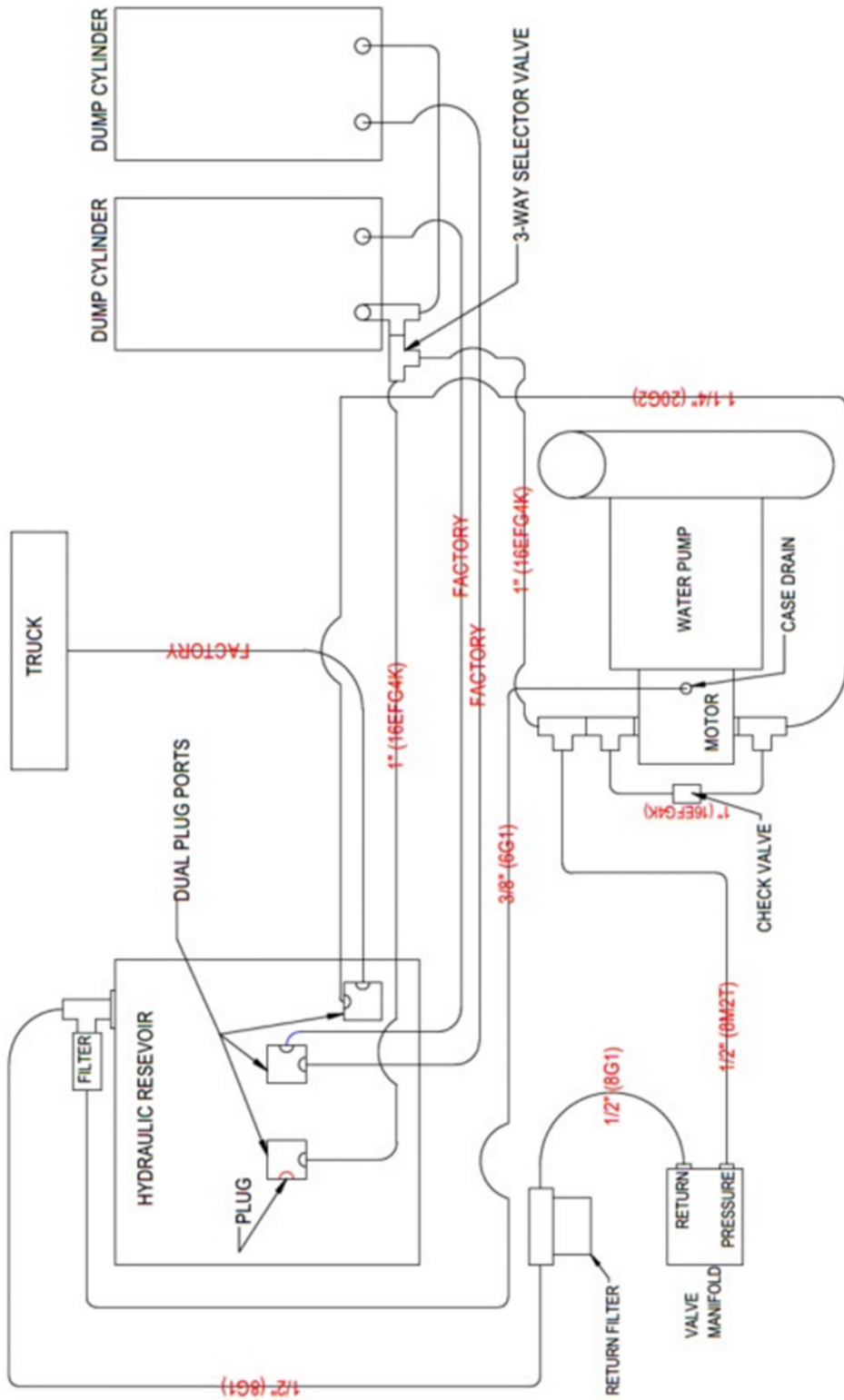


TITLE: ARTIC 2 SIDES 3 REAR W/ LEVEL SENSOR		DATE: 5/24/2023
SIZE A3	DRAWING NO. 2187-1025	REV 2
SCALE: NTS		DRAWN BY: JS
		SHEET 2 OF 4





Curry Supply Co.		NAME	DATE	MODEL BY:	DATE	TITLE:	SIZE	REV
		MLC	3/22/17	MLC		2-LINE DUMP CYLINDER CONNECTIONS	A	
		MLC		ENG APPR.				
				MFG APPR.				
				G.A.				
		UNLESS OTHERWISE SPECIFIED:		COMMENTS:		NO MODEL - DRAWING ONLY		
JOB NUMBER		DIMENSIONS ARE IN INCHES		MATERIAL		DO NOT SCALE DRAWING		
DRAWING NO.		TOLERANCES: FRACTIONAL ± 1/8"		NOTED.				
QUANTITY		ANGULAR: MACH ± 1°		PROCESS				
CUSTOMER		TWO PLACE DECIMAL ± .01						
DESIGN STATUS		THREE PLACE DECIMAL ± .005						
THICKNESS		ALL TOLERANCES ARE ± 1/8" UNLESS NOTED.						
UNITS								
APPLICATION								
<p>PROPRIETARY AND CONFIDENTIAL THE INFORMATION CONTAINED IN THIS DRAWING IS THE SOLE PROPERTY OF CURRY SUPPLY COMPANY. ANY REPRODUCTION IN PART OR AS A WHOLE WITHOUT THE WRITTEN PERMISSION OF CURRY SUPPLY COMPANY IS PROHIBITED.</p>								
							SHEET 2 OF 2	



Curry Supply Co.

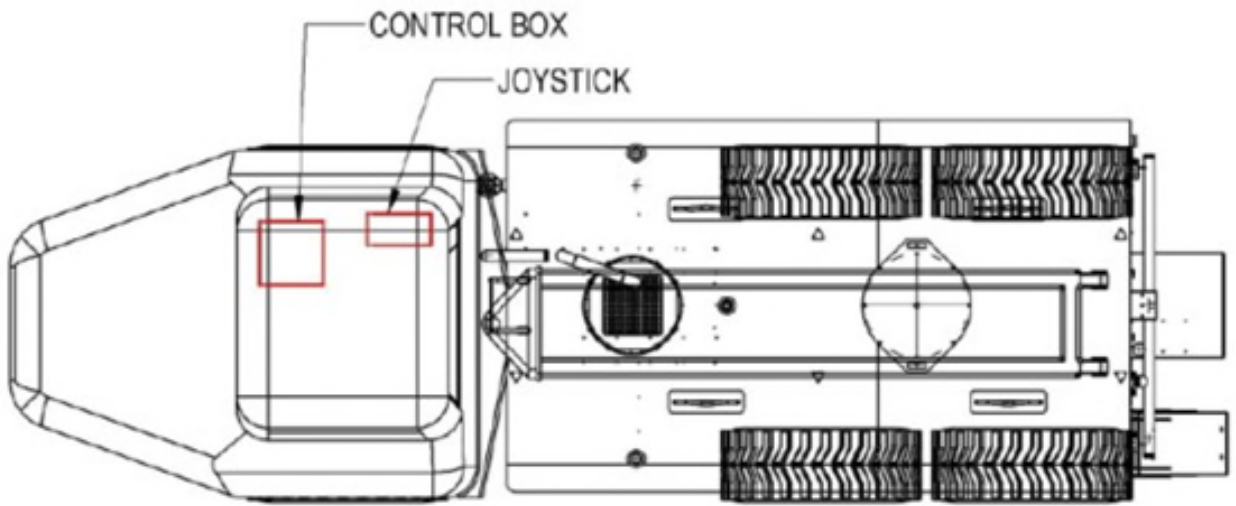
TITLE:
4-LINE DUMP CYLINDER CONNECTIONS

SIZE PART NO. **A 1630-1000** REV

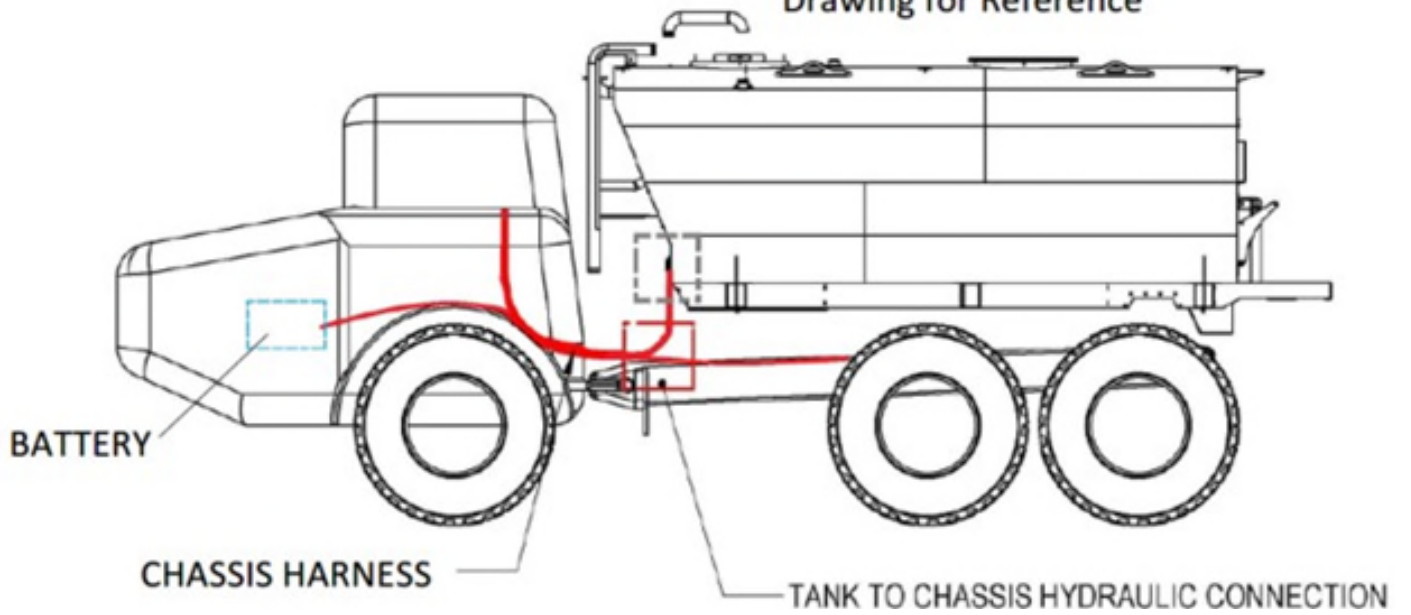
NAME	DATE	MODEL BY:	DATE
MLC	3/22/17		
UNLESS OTHERWISE SPECIFIED:			
DIMENSIONS ARE IN INCHES			
TOLERANCES:			
FRACTIONAL: 1/8"			
ANGULAR: MACH: ± 1°			
TWO PLACE DECIMAL ± 0.01			
THREE PLACE DECIMAL ± 0.005			
ALL TOLERANCES ARE ± 1/8" UNLESS NOTED.			
MATERIAL			
PROCESS			
COMMENTS:			
NO MODEL - DRAWING ONLY			
DO NOT SCALE DRAWING			

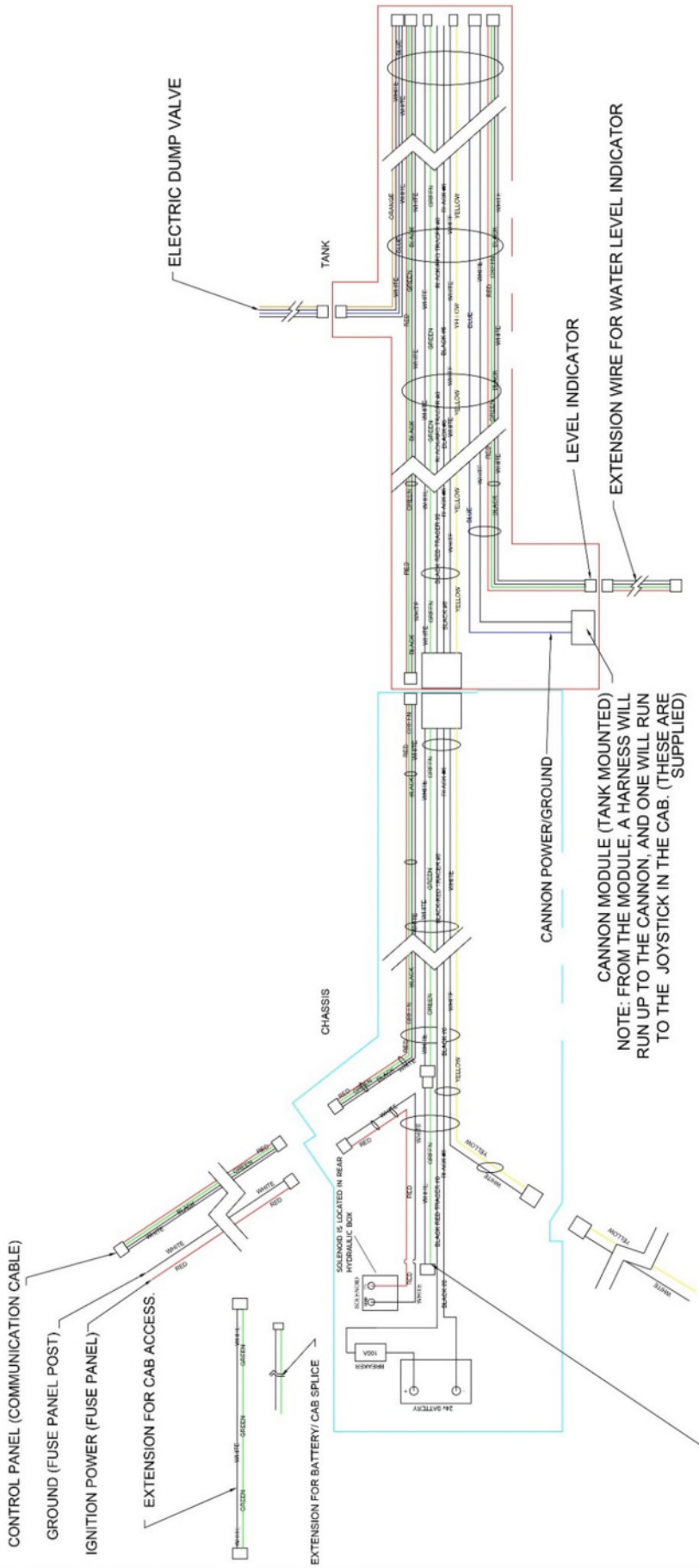
PROPRIETARY AND CONFIDENTIAL

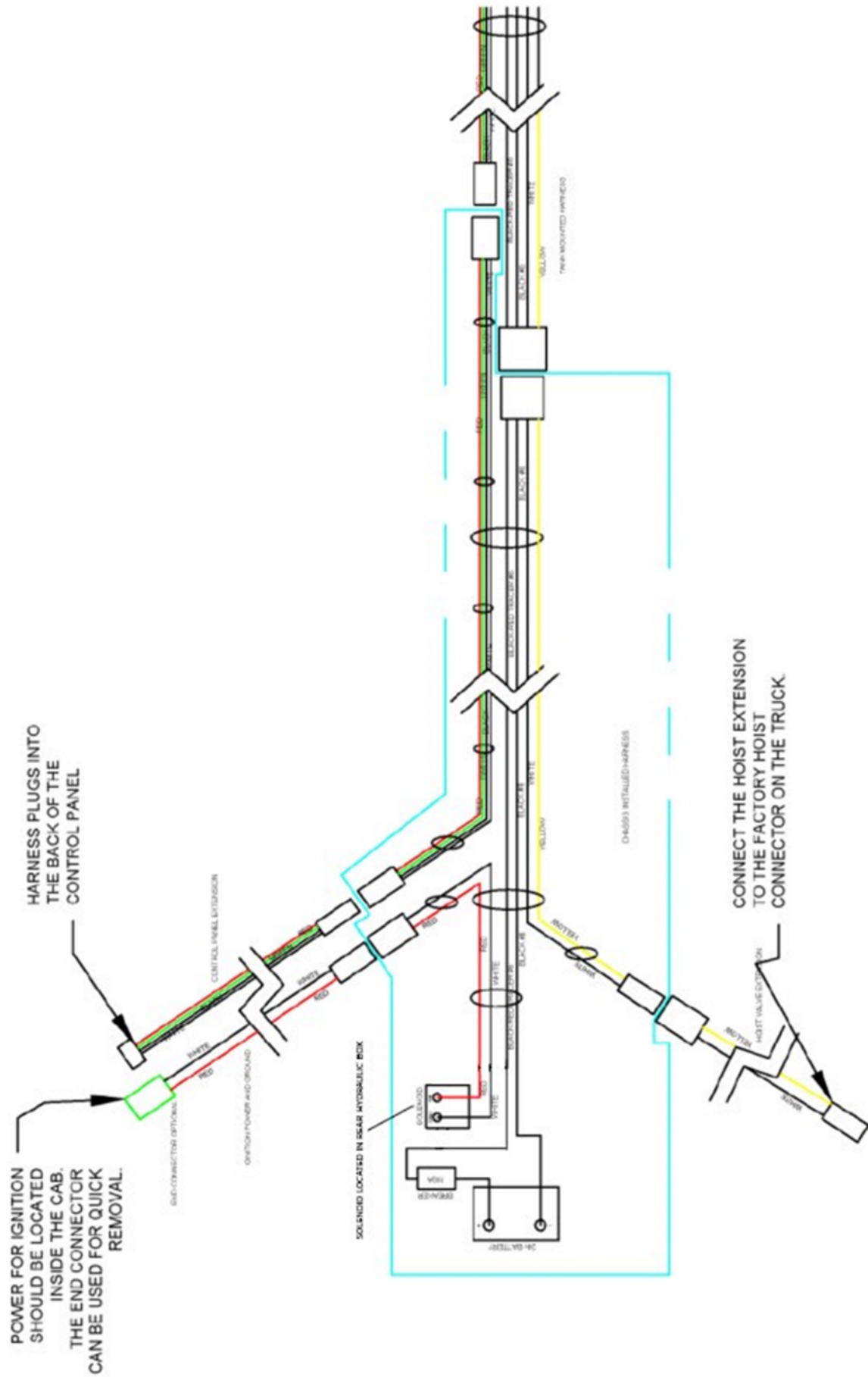
THE INFORMATION CONTAINED IN THIS DRAWING IS THE SOLE PROPERTY OF CURRY SUPPLY COMPANY. ANY REPRODUCTION IN PART OR AS A WHOLE WITHOUT THE WRITTEN PERMISSION OF CURRY SUPPLY COMPANY IS PROHIBITED.



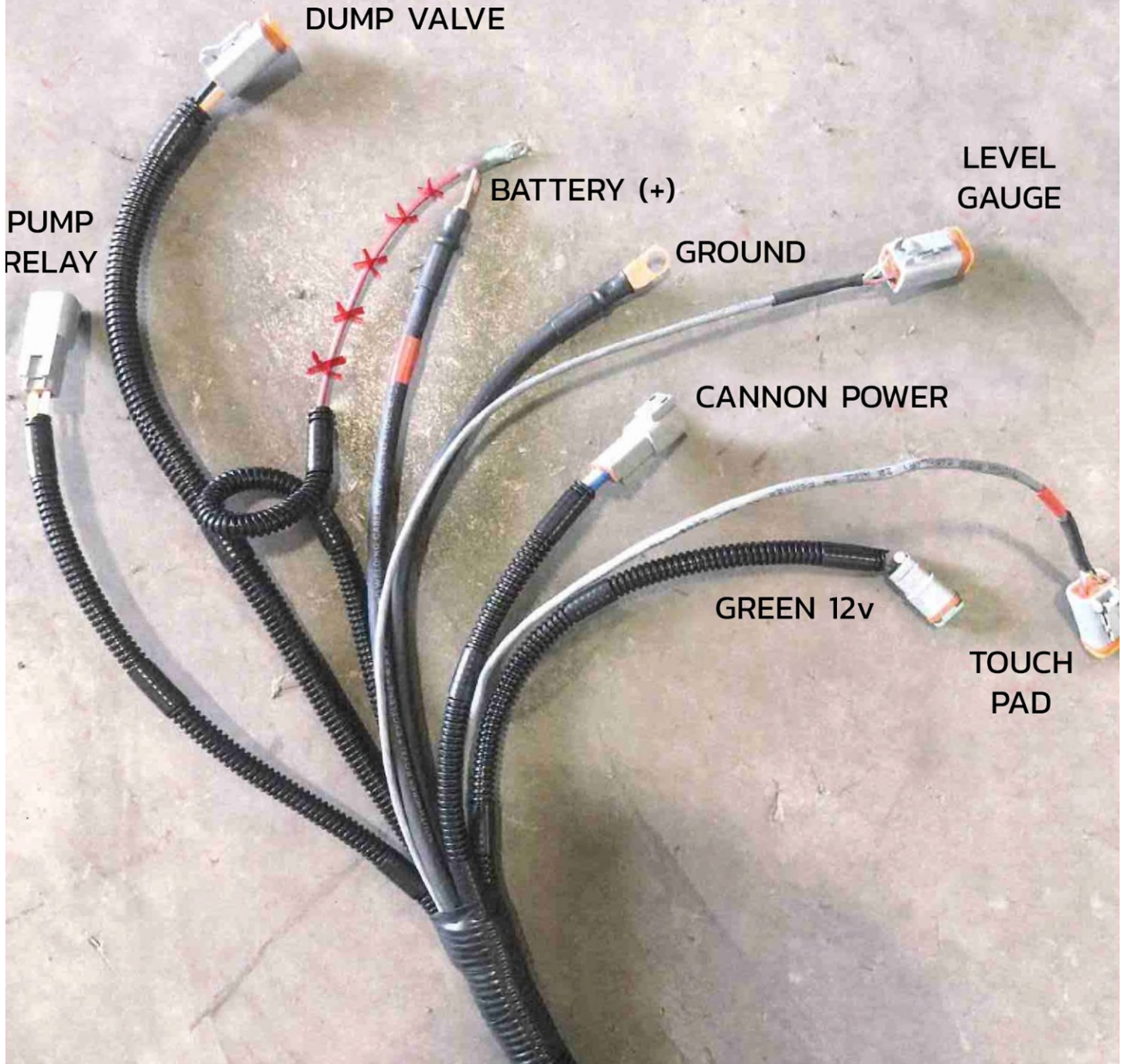
Drawing for Reference

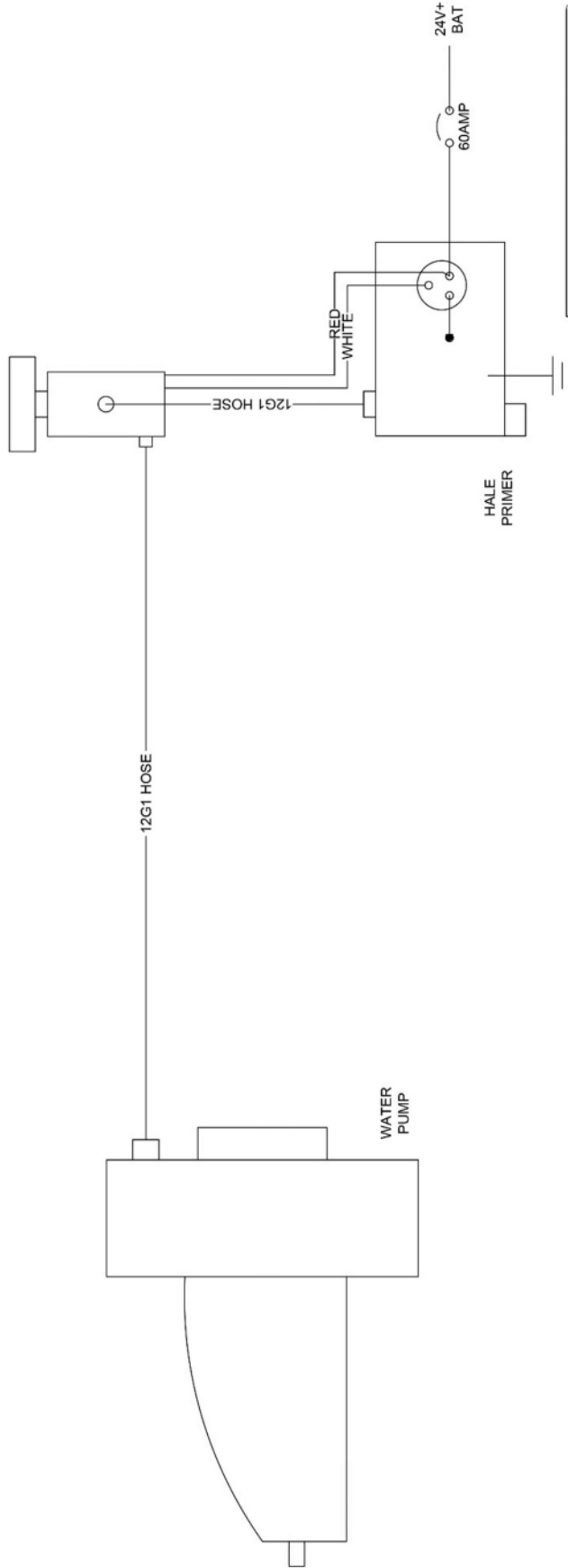






REAR WIRING

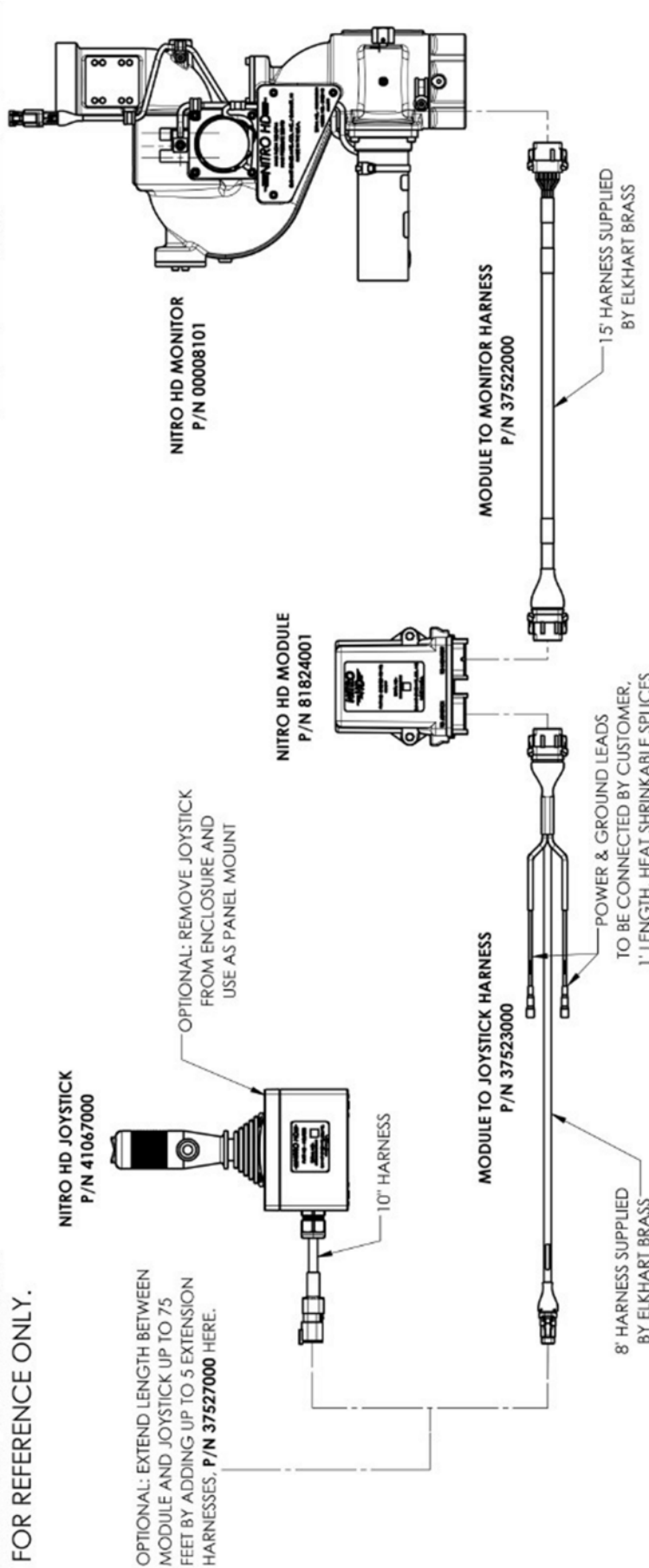





HALE PRIMER INSTALL		DATE	9/26/23
HYDREMA		REV	0
SIZE	DRAWING NO	2187-1030	
SCALE: NTS	DRAWN: JS	SHEET 1 OF 1	

NOTES:
DRAWING NOT TO SCALE.
FOR REFERENCE ONLY.

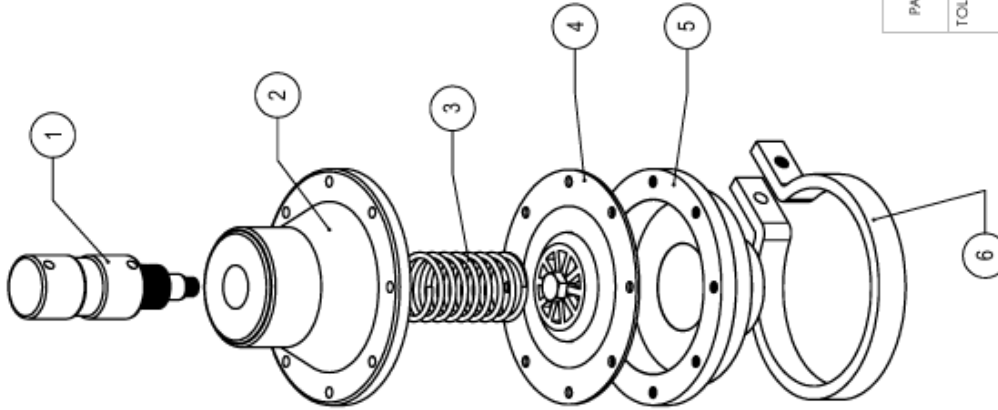
REV.	ZONE	DESCRIPTION	BY	ECN NUMBER
B	C7, C8	ADJUSTS ABOUTENSION HARNESS OF EXTENSION BETWEEN THE JOYSTICK AND MODULE	KAP	170512



ELKHART BRASS Fire Fighting Equipment		DATE 12/01/2016	ECN NUMBER 170512
DRAWN BY KAP CHECKED BY KAP	WEIGHT (LBS) 13.3	DESCRIPTION NITRO HD (KIT #1)	REV. B
MATERIAL N/A		ASSEMBLY THIRD ANGLE PROJECTION	SIZE B
TOLERANCE UNLESS OTHERWISE SPECIFIED 1 PLACE DEC. ± .12" 2 PLACE DEC. REF ANGLES ± 1°		UNLESS OTHERWISE SPECIFIED DIMENSIONS ARE IN INCHES DO NOT SCALE PRINT INTERPRET DIMENSIONS AND TOLERANCES PER ASME Y14.5M 1994	CAD SCALE 1:1
#1000 West Beavercreek Ave Elkhardt, TN 40514, USA Elkhardt Brass Mfg. Co., Inc. is a registered manufacturer of Fire Fighting Equipment. Elkhardt Brass Mfg. Co., Inc. is not responsible for the use of its products in any application not intended by Elkhardt Brass Mfg. Co., Inc. The user must consult the user manual for the correct use of the product. Copyright © 2012 by Elkhardt Brass Mfg. Co., Inc.		CAD MODEL 8100 HD	SHEET 1 OF 1

NITRO HD LAYOUT DRAWING, KIT #1

ITEM NO.	QTY.	PART NO.	STOCK DESC.
1	1	2021CYL	CYLINDER, HYDRAULIC SPRAY HEAD
2	1	2021LID	LID, HYDRAULIC SPRAY HEAD
3	1	2021HYD-SPRING	SPRING, HYDRAULIC SPRAY HEAD
4	1	2021HYD-RDK	KIT, 2021 SPRAY HEAD INTERNAL COMPONENTS
5	1	2021HOU	HOUSING, HYDRAULIC SPRAY HEAD
6	1	2021CL	CLAMP, HYDRAULIC SPRAY HEAD



PART NO.	2021HYD	NAME	DATE
MODEL BY:			
DRAWN BY:			
MATERIAL	ASM		
PROCESS	PA - Purchased Assemble		
THICKNESS			
<p>PROPRIETARY AND CONFIDENTIAL THE INFORMATION CONTAINED IN THIS DRAWING IS THE SOLE PROPERTY OF CURRY SUPPLY COMPANY. ANY REPRODUCTION IN PART OR AS A WHOLE WITHOUT THE WRITTEN PERMISSION OF CURRY SUPPLY COMPANY IS PROHIBITED.</p>			
UNITS	in	DRAWING NO.	2021HYD
SIZE	A	REV	0
DO NOT SCALE DRAWING		WEIGHT: 40.90	



TITLE: SPRAY HEAD, OFF ROAD, HYDRAULIC ACTUATED