

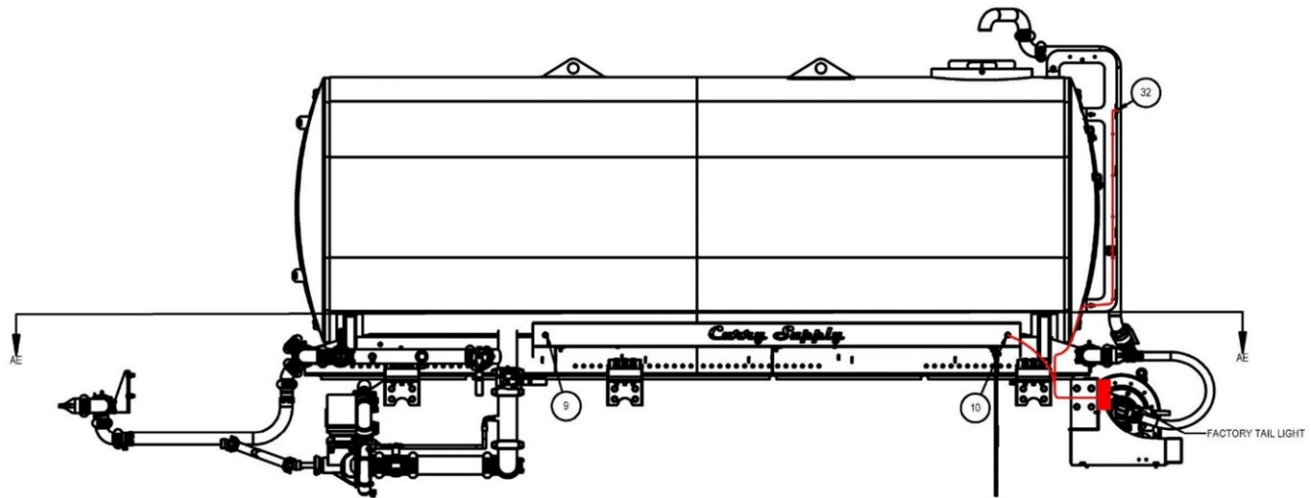
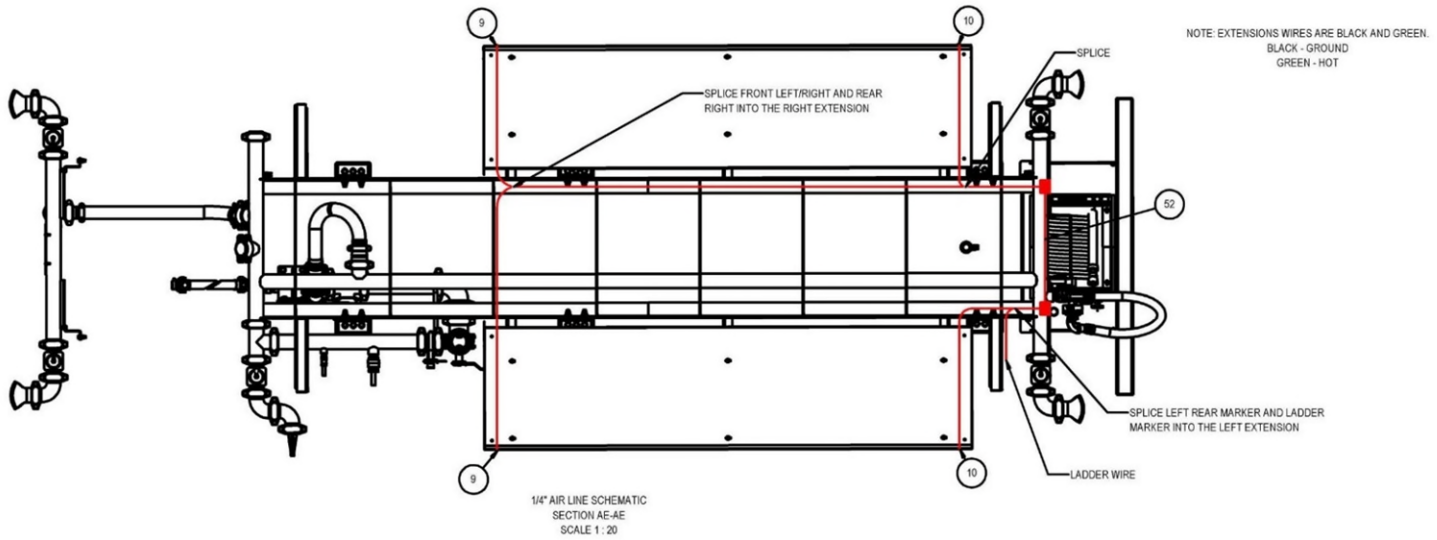
ON-ROAD WATER TRUCK

Schematics

<u>Water Tank 4k Gal Gen IV – Electric Diagram</u>	<u>Page 2</u>
<u>Water Tank 4k Gal Gen IV – Airline Diagram</u>	<u>Page 3</u>
<u>Air Compressor Wiring/Air Connection</u>	<u>Page 4</u>
<u>Water Truck Harness/Wiring Diagram 1</u>	<u>Page 5</u>
<u>Water Truck Harness/Wiring Diagram 2</u>	<u>Page 6</u>
<u>Allison Transmission, PTO Wiring, Water Truck</u>	<u>Page 7</u>
<u>Allison PTO Wiring, Automatic Transmission</u>	<u>Page 8</u>
<u>Mack MD PTO Wiring</u>	<u>Page 9</u>
<u>Mack Water, Stationary Throttle</u>	<u>Page 10</u>
<u>Ford F650 Water Truck Wiring Diagram</u>	<u>Page 11</u>
<u>Ford F650 & F750 Wire Harness Schematic</u>	<u>Page 12</u>
<u>Ford 2 on 2 Compressor Layout</u>	<u>Page 13</u>

CAUTION

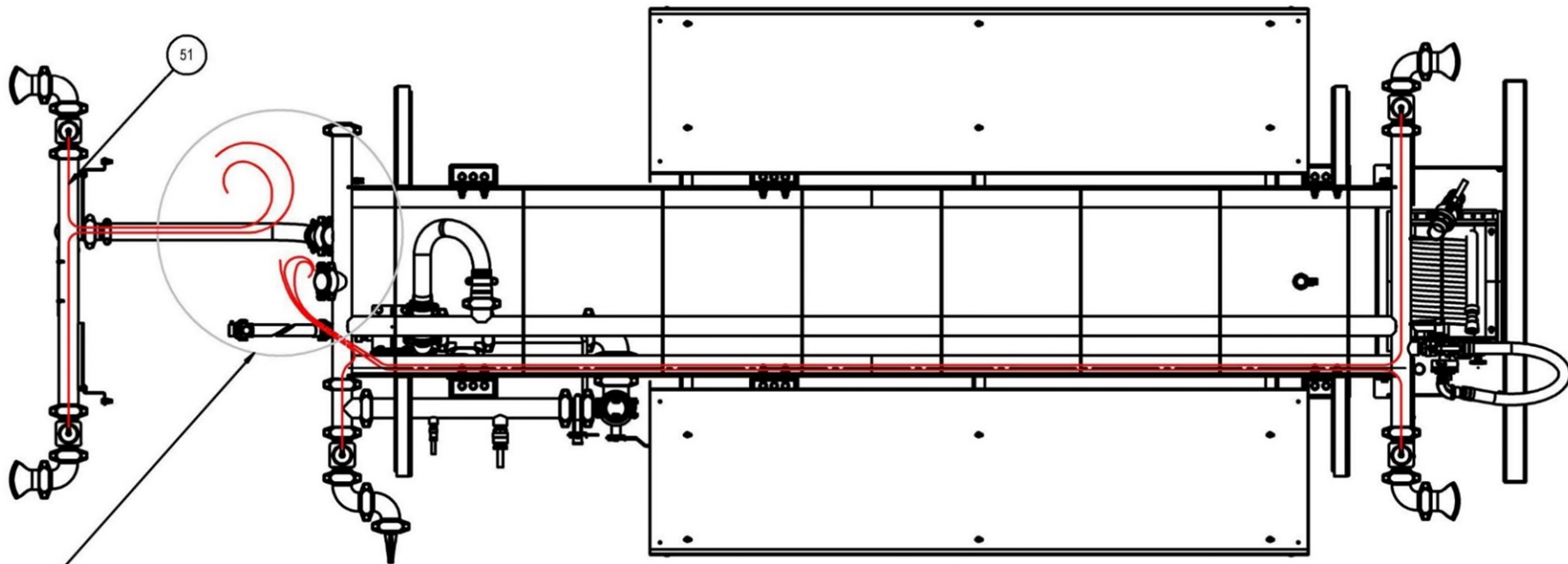
PLEASE CONTACT CURRY SUPPLY BEFORE ATTEMPTING ANY CHANGES TO THE ELECTRICAL SYSTEMS. DOING SO MAY CAUSE EQUIPMENT DAMAGE OR VOID WARRANTY.



CONTROLLED DOCUMENT

PROPRIETARY AND CONFIDENTIAL
THE INFORMATION CONTAINED IN THIS DRAWING IS THE SOLE PROPERTY OF CURRY SUPPLY COMPANY. ANY REPRODUCTION IN PART OR AS A WHOLE WITHOUT THE WRITTEN PERMISSION OF CURRY SUPPLY COMPANY IS PROHIBITED.

NAME	DATE	
MODEL BY: MLC	09/17/19	
DRAWN BY: MLC	09/17/19	
ENG APPR.		
MFG APPR.		
G.A.		TITLE: WATER TANK, 4,000 GAL. GEN IV - ELECTRIC DIAGRAM
COMMENTS:		SIZE PART NO. REV
		C 1815-1000 0
		SHEET 3 OF 5

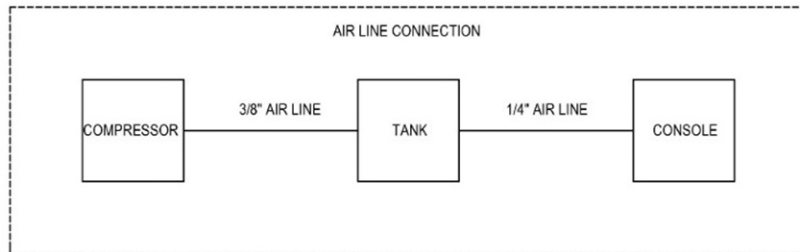
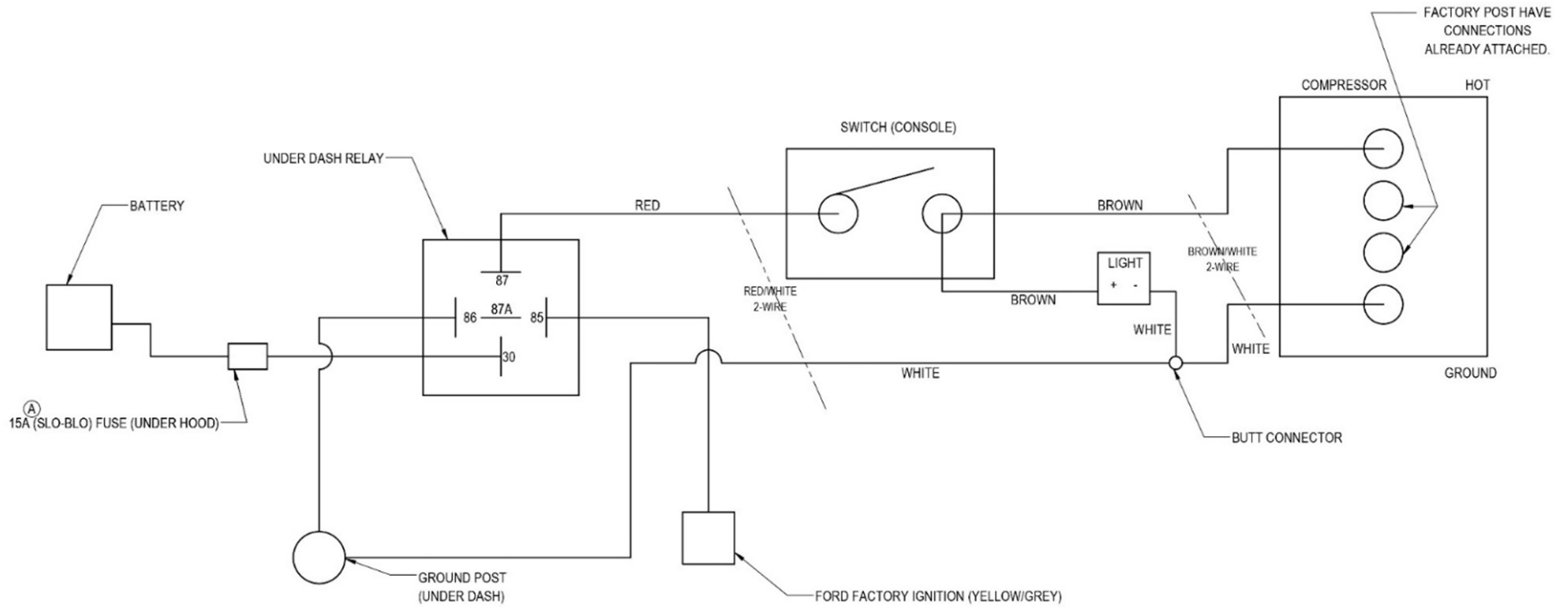


RUN LINES THROUGH THE BOTTOM OF THE CAB INTO THE CONTROL SWITCHES.
 NOTE: DIFFERENT CHASSIS MODELS MAY HAVE DIFFERENT SWITCH LOCATIONS.
 ENTER THE CAB AT THE BEST LOCATION FOR THE SWITCH LAYOUT THAT DOES
 NOT REQUIRE ANY SPLICING..

1/4" AIR LINE DIAGRAM
 SECTION L-L
 SCALE 1 : 20

PROPRIETARY AND CONFIDENTIAL
 THE INFORMATION CONTAINED IN THIS DRAWING IS THE SOLE
 PROPERTY OF CURRY SUPPLY COMPANY. ANY REPRODUCTION
 IN PART OR AS A WHOLE WITHOUT THE WRITTEN PERMISSION OF
 CURRY SUPPLY COMPANY IS PROHIBITED.

	NAME	DATE	 Curry Supply Co TITLE: WATER TANK, 4,000 GAL. GEN IV - AIR LINE DIAGRAM
MODEL BY:	MLC	09/17/19	
DRAWN BY:	MLC	09/17/19	
ENG APPR.			
MFG APPR.			
Q.A.			
COMMENTS:			TITLE: WATER TANK, 4,000 GAL. GEN IV - AIR LINE DIAGRAM
SIZE	PART NO.	REV	
B	1815-1000	0	
			SHEET 2 OF 5



PROPRIETARY AND CONFIDENTIAL
 THE INFORMATION CONTAINED IN THIS DRAWING IS THE SOLE PROPERTY OF CURRY SUPPLY COMPANY. ANY REPRODUCTION IN PART OR AS A WHOLE WITHOUT THE WRITTEN PERMISSION OF CURRY SUPPLY COMPANY IS PROHIBITED.

REVISIONS					
ZONE	REV.	DESCRIPTION	DATE	APPROVED	ECR #
B4	A	UPDATED FUSE SIZE AND TYPE	10/04/19	MLC	N/A

NAME	DATE
MODEL BY:	
DRAWN BY: MLC	08/08/18
ENG APPR.	
MFG APPR.	
Q.A.	
COMMENTS:	

Curry Supply Co.



TITLE:
**ON ROAD WATER
 AIR COMPRESSOR
 WIRING/AIR CONNECTION**

SIZE B	PART NO. 1630-1900	REV
------------------	-----------------------	-----

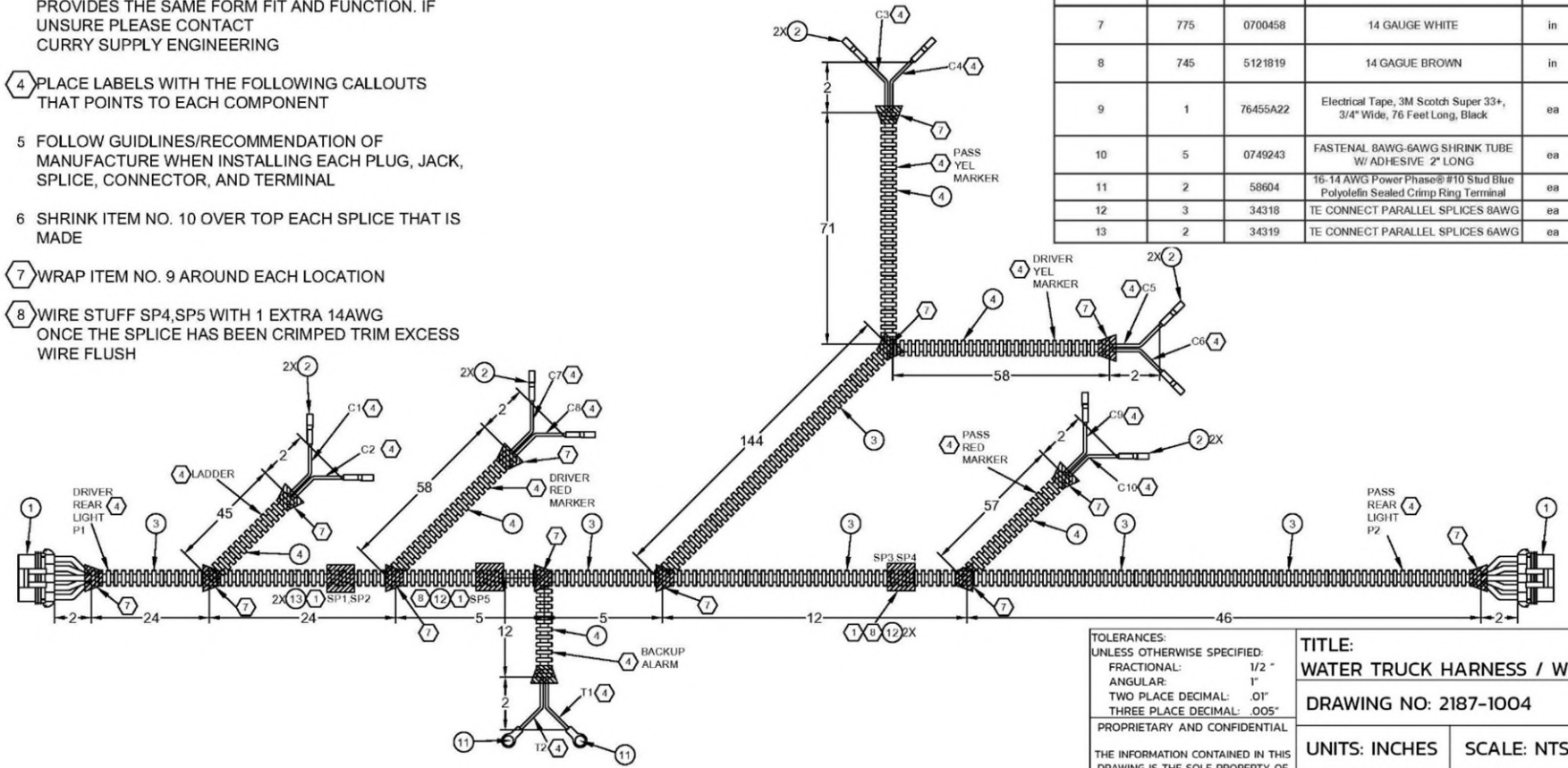
SHEET 1 OF 1

NOTES:
 REFERENCE DOCUMENT:
 -BUILD CABLE HARNESS IN ACCORDENCE WITH
 IPC-620

- 1 SPLICING WIRES SHALL BE DONE AN 1-1/2 BEFORE BREAKING OUT THE HARNESS
- 2 ITEM NO. 5-10,12,13 NOT SHOWN IN ASSEMBLY
- 3 ALTERNATE PART NO. ARE ALLOWED ASLONG AS THE ALTERNATE PART PROVIDES THE SAME FORM FIT AND FUNCTION. IF UNSURE PLEASE CONTACT CURRY SUPPLY ENGINEERING
- 4 PLACE LABELS WITH THE FOLLOWING CALLOUTS THAT POINTS TO EACH COMPONENT
- 5 FOLLOW GUIDLINES/RECOMMENDATION OF MANUFACTURE WHEN INSTALLING EACH PLUG, JACK, SPLICE, CONNECTOR, AND TERMINAL
- 6 SHRINK ITEM NO. 10 OVER TOP EACH SPLICE THAT IS MADE
- 7 WRAP ITEM NO. 9 AROUND EACH LOCATION
- 8 WIRE STUFF SP4,SP5 WITH 1 EXTRA 14AWG ONCE THE SPLICE HAS BEEN CRIMPED TRIM EXCESS WIRE FLUSH

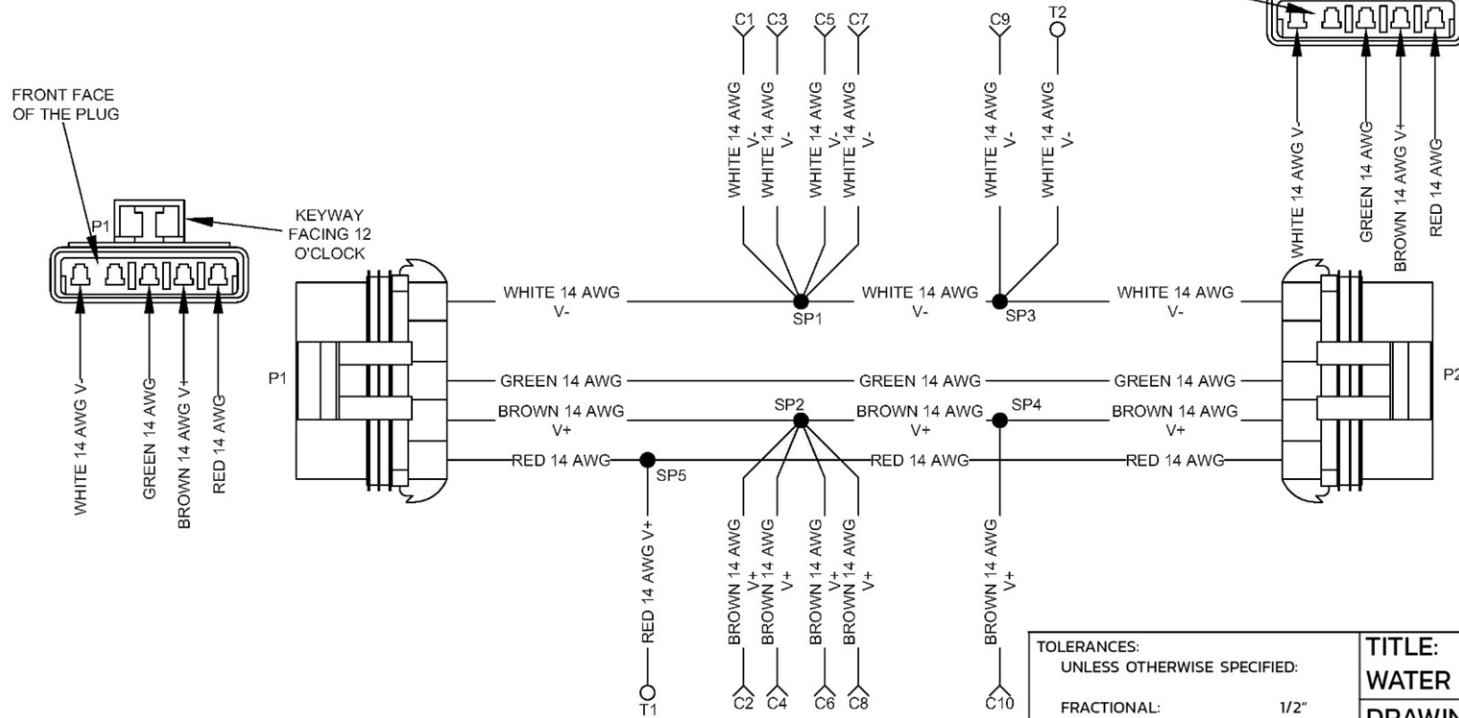
 ELECTRICAL TAPE CALLOUT SYMBOL
 SPLICE CALLOUT SYMBOL (SP#)

Item No.	QTY.	Part No.	Stock Desc.	Units
1	2	ADO-PT1937	Connector 5-way 5 pin for Chevrolet Tail Light GM	ea
2	10	0747509	.157", 16-14 AWG, FEMALE BULLET CONNECTOR	ea
3	265	0708152	3/8" POLYETHYLENE SLIT WIRE LOOM	in
4	310	0708151	1/4" POLYETHYLENE SLIT WIRE LOOM	in
5	140	0700457	14 GAUGE RED	in
6	125	0719096	14 GAUGE GREEN	in
7	775	0700458	14 GAUGE WHITE	in
8	745	5121819	14 GAUGE BROWN	in
9	1	76455A22	Electrical Tape, 3M Scotch Super 33+, 3/4" Wide, 76 Feet Long, Black	ea
10	5	0749243	FASTENAL 8AWG-6AWG SHRINK TUBE W/ ADHESIVE 2" LONG	ea
11	2	58604	16-14 AWG Power Phase® #10 Stud Blue Polyolefin Sealed Crimp Ring Terminal	ea
12	3	34318	TE CONNECT PARALLEL SPLICES 8AWG	ea
13	2	34319	TE CONNECT PARALLEL SPLICES 6AWG	ea



TOLERANCES: UNLESS OTHERWISE SPECIFIED: FRACTIONAL: 1/2" ANGULAR: 1" TWO PLACE DECIMAL: .01" THREE PLACE DECIMAL: .005" PROPRIETARY AND CONFIDENTIAL	TITLE: WATER TRUCK HARNESS / WD	
	DRAWING NO: 2187-1004	
THE INFORMATION CONTAINED IN THIS DRAWING IS THE SOLE PROPERTY OF CURRY SUPPLY CO. ANY REPRODUCTION IN PART OR AS A WHOLE WITHOUT THE WRITTEN PERMISSION OF CURRY SUPPLY CO IS PROHIBITED.	UNITS: INCHES	SCALE: NTS
	MODEL BY: JS 01/24/23	
	DRAWN BY: JS 01/24/23	

LABEL	DESCRIPTION	LABEL	DESCRIPTION
P1	DRIVER REAR TAIL LIGHT	C5	DRIVER SIDE YELLOW MARKER V-
P2	HARNES TIE IN	C6	DRIVER SIDE YELLOW MARKER V+
C1	LADDER MARKER LIGHT V-	C7	DRIVER SIDE RED MARKER V-
C2	LADDER MARKER LIGHT V+	C8	DRIVER SIDE RED MARKER V+
C3	PASSENGER SIDE YELLOW MARKER V-	C9	PASSENGER SIDE RED MARKER V-
C4	PASSENGER SIDE YELLOW MARKER V+	C10	PASSENGER SIDE RED MARKER V+



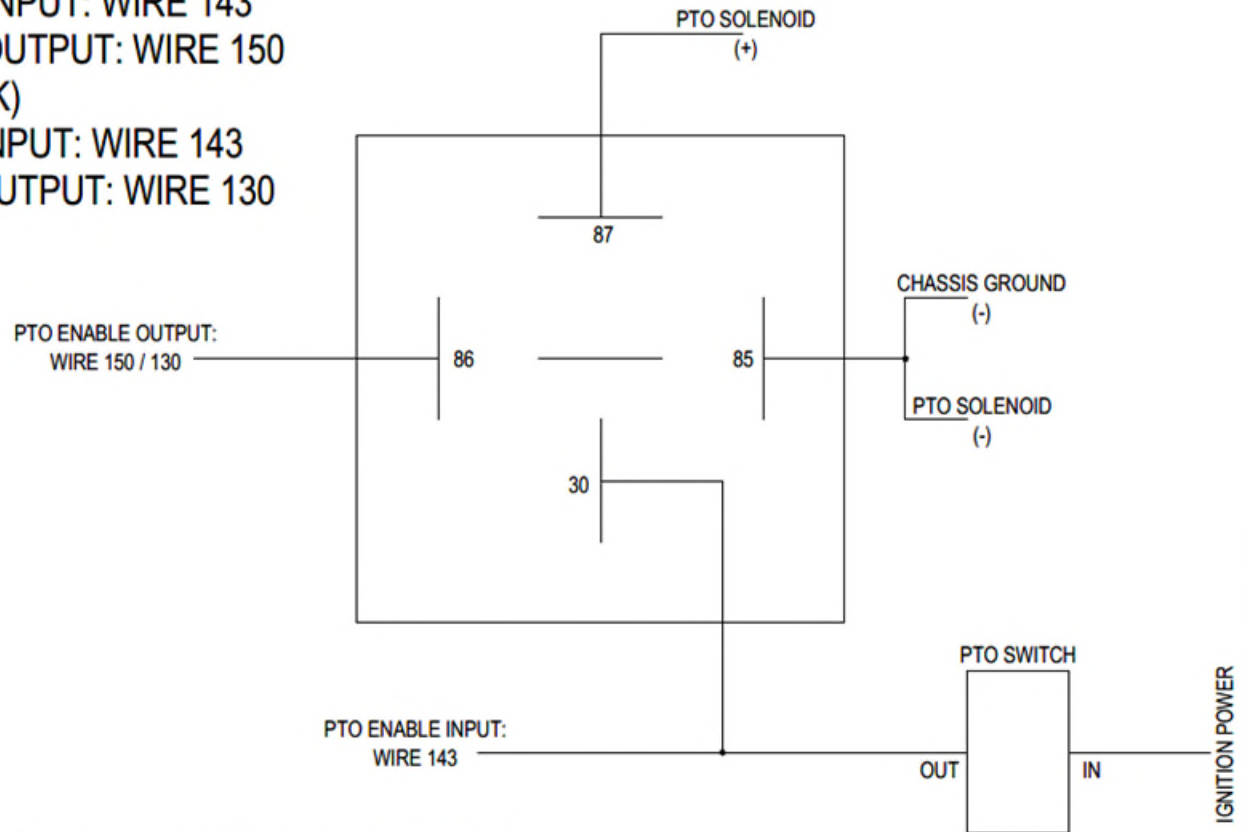
TOLERANCES: UNLESS OTHERWISE SPECIFIED: FRACTIONAL: 1/2" ANGULAR: 1" TWO PLACE DECIMAL: .01" THREE PLACE DECIMAL: .005"	TITLE: WATER TRUCK HARNESS/WD
	DRAWING NO. 2187-1004 REV: 0
PROPRIETARY AND CONFIDENTIAL THE INFORMATION CONTAINED IN THIS DRAWING IS THE SOLE PROPERTY OF CURRY SUPPLY CO. ANY REPRODUCTION IN PART OF AS A WHOLE WITHOUT THE WRITTEN PERMISSION OF CURRY SUPPLY CO IS PROHIBITED.	UNITS: INCHES SCALE: NTS
	MODEL BY: JS 01/24/23
	DRAWN BY: JS 01/24/23

1000/2000 SERIES (2K)
12 PIN CONNECTOR

INPUT: WIRE 143
OUTPUT: WIRE 150

3000/4000 SERIES (2K / 4K)
12 PIN CONNECTOR

INPUT: WIRE 143
OUTPUT: WIRE 130




NOTE: RELAY IS MOUNTED UNDER THE HOOD ON THE FIREWALL.

CONTROLLED DOCUMENT

ENGINEER: _____
DATE: _____

PROPRIETARY AND CONFIDENTIAL

THE INFORMATION CONTAINED IN THIS DRAWING IS THE SOLE PROPERTY OF CURRY SUPPLY COMPANY. ANY REPRODUCTION IN PART OR AS A WHOLE WITHOUT THE WRITTEN PERMISSION OF CURRY SUPPLY COMPANY IS PROHIBITED.

JOB NUMBER		UNLESS OTHERWISE SPECIFIED:	NAME	DATE	
PART NO.		DIMENSIONS ARE IN INCHES	MODEL BY:		
QUANTITY		TOLERANCES:	DRAWN BY:	MLC 02/19/20	
CUSTOMER		FRACTIONAL: ± 1/8"	ENG APPR.		
DESIGN STATUS		ANGULAR: MACH ± BEND ± 1°	MFG APPR.		Q.A.
THICKNESS		TWO PLACE DECIMAL ±.01	COMMENTS:		TITLE: PTO WIRING, ALLISON TRANSMISSION, WATER TRUCK
UNITS		THREE PLACE DECIMAL ±.005			SIZE DRAWING NO. REV
APPLICATION		ALL TOLERANCES ARE ± 1/8" UNLESS NOTED.			A 1630-2900
		MATERIAL			SHEET 1 OF 2
		Process			
		DO NOT SCALE DRAWING			

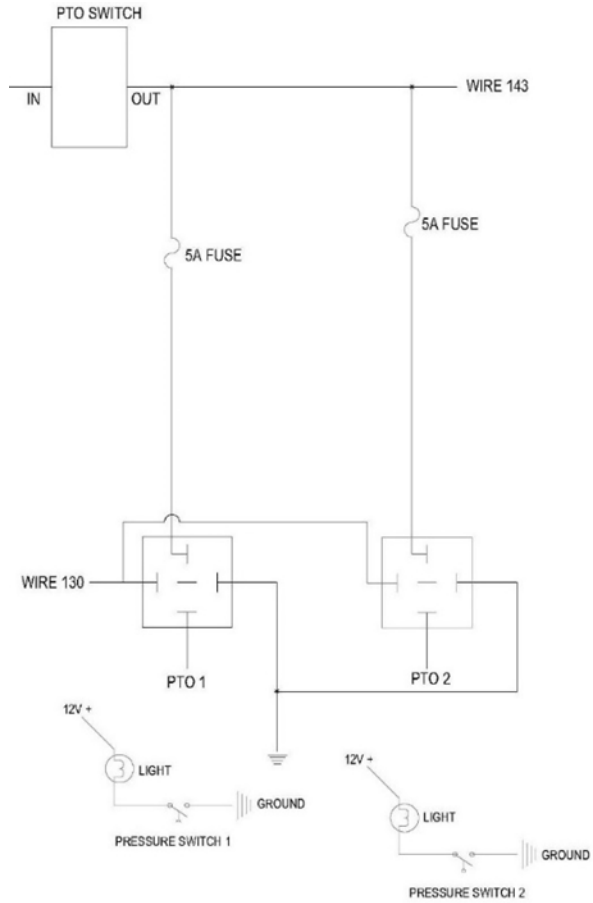
5

4

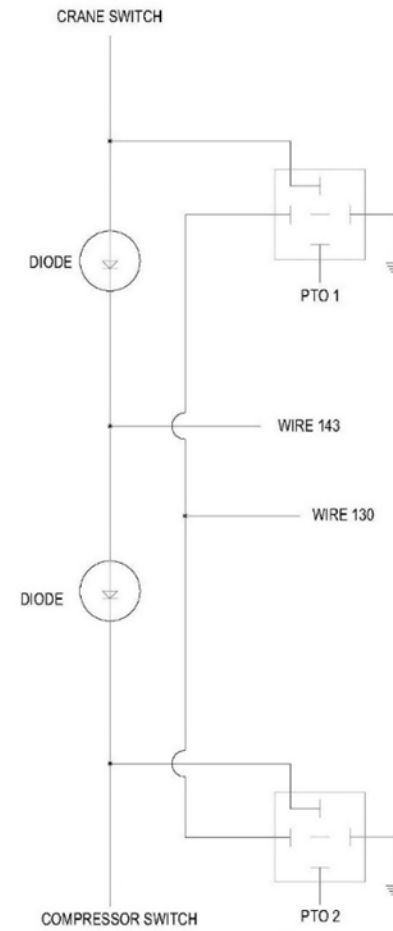
3

2

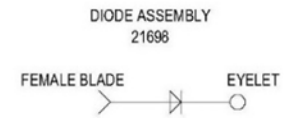
1



DUEL PTO
ALLISON AUTO
1-SWITCH



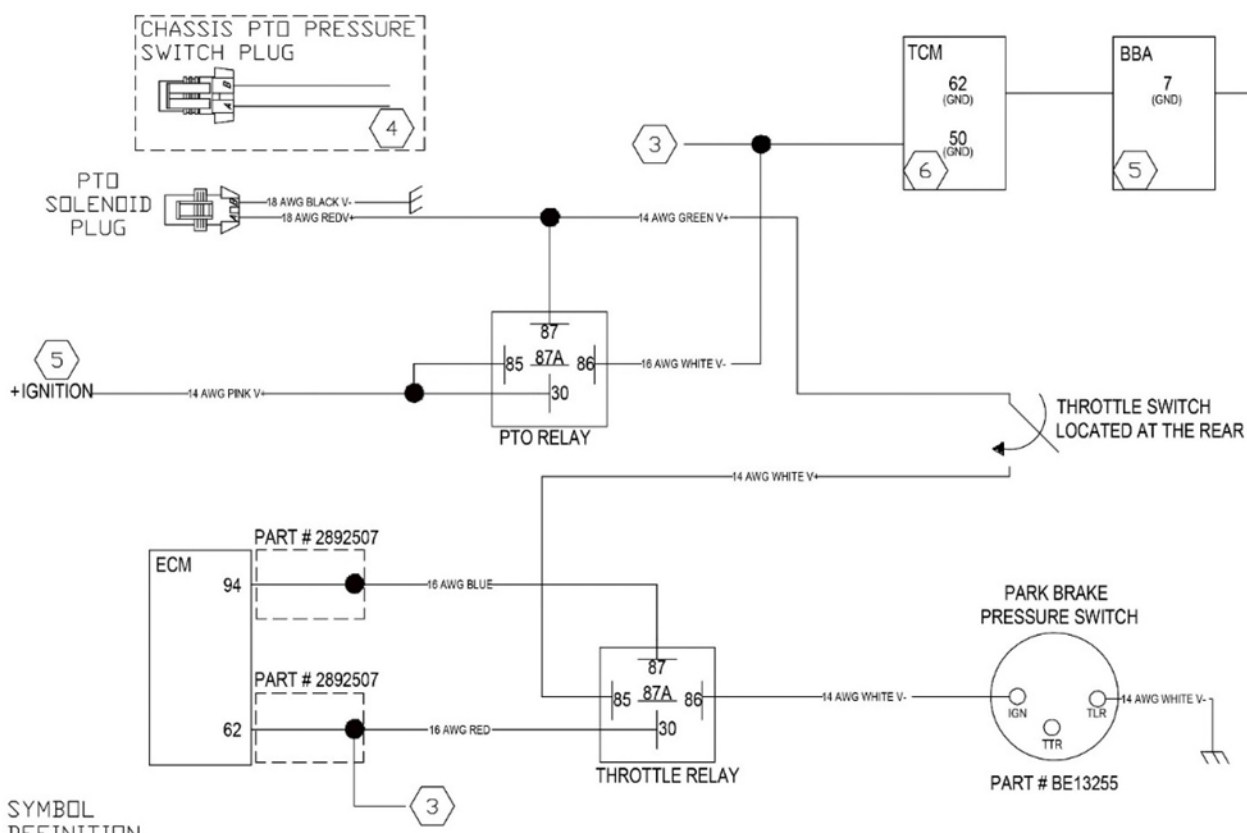
DUEL PTO
ALLISON AUTO
2-SWITCH



CONTROLLED DOCUMENT

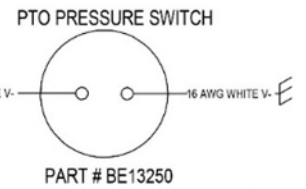
<p>PROPRIETARY AND CONFIDENTIAL</p> <p>THE INFORMATION CONTAINED IN THIS DRAWING IS THE SOLE PROPERTY OF CURRY SUPPLY COMPANY. ANY REPRODUCTION IN PART OR AS A WHOLE WITHOUT THE WRITTEN PERMISSION OF CURRY SUPPLY COMPANY IS PROHIBITED.</p>			<p>TITLE: ALLISON PTO WIRING AUTOMATIC TRANSMISSION</p>	
			<p>SIZE B</p>	<p>DRAWING NO. 1630-2900</p>
<p>DRAWN BY: MLC 2/21/20</p>				





SYMBOL DEFINITION

CHASSIS GROUND
 Splice
 SPST SWITCH



1. THIS DIAGRAM IS FOR A MACK MD THAT CAME IN WITH A ELECTRIC OVER AIR SET UP FOR PTO.

2. MUNCIE PTO HARNESS WILL NEED TO BE REWORKED FOR THIS APPLICATION PLEASE REFERENCE BUILD INSTRUCTION FOR MACK MD 2K/4K.

③ IF THE WIRE IS POPULATED SIMPLY SPLICE INTO THE WIRE DO NOT REMOVE!

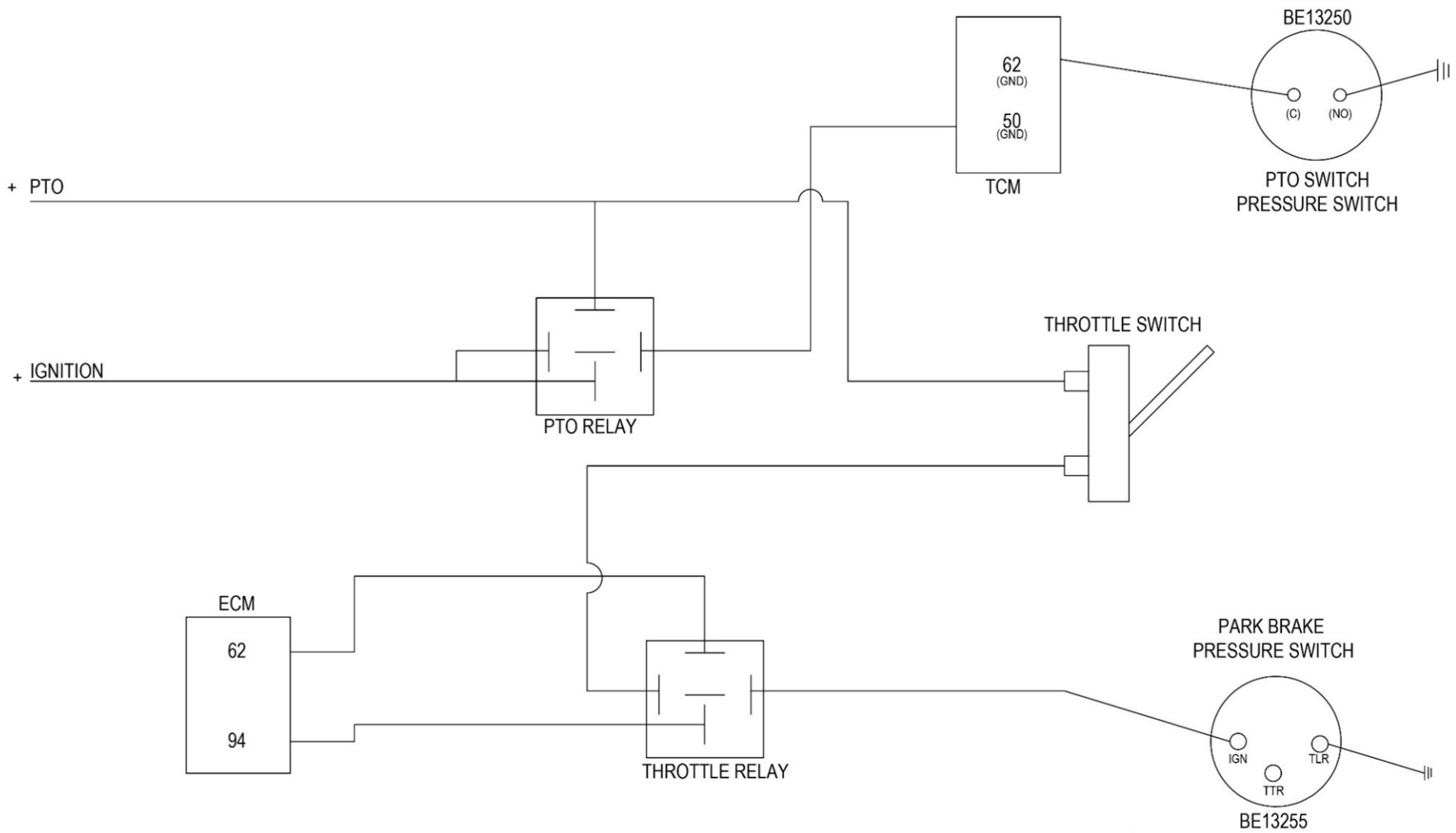
④ DEPENDING ON THE CHASSIS YOU MAY NEED TO SWAP THE PTO PLUG ON THE TRUCK HARNESS TO MATE CORRECTLY WITH PTO

⑤ LOCATED LOWER LEFT KICK PANEL

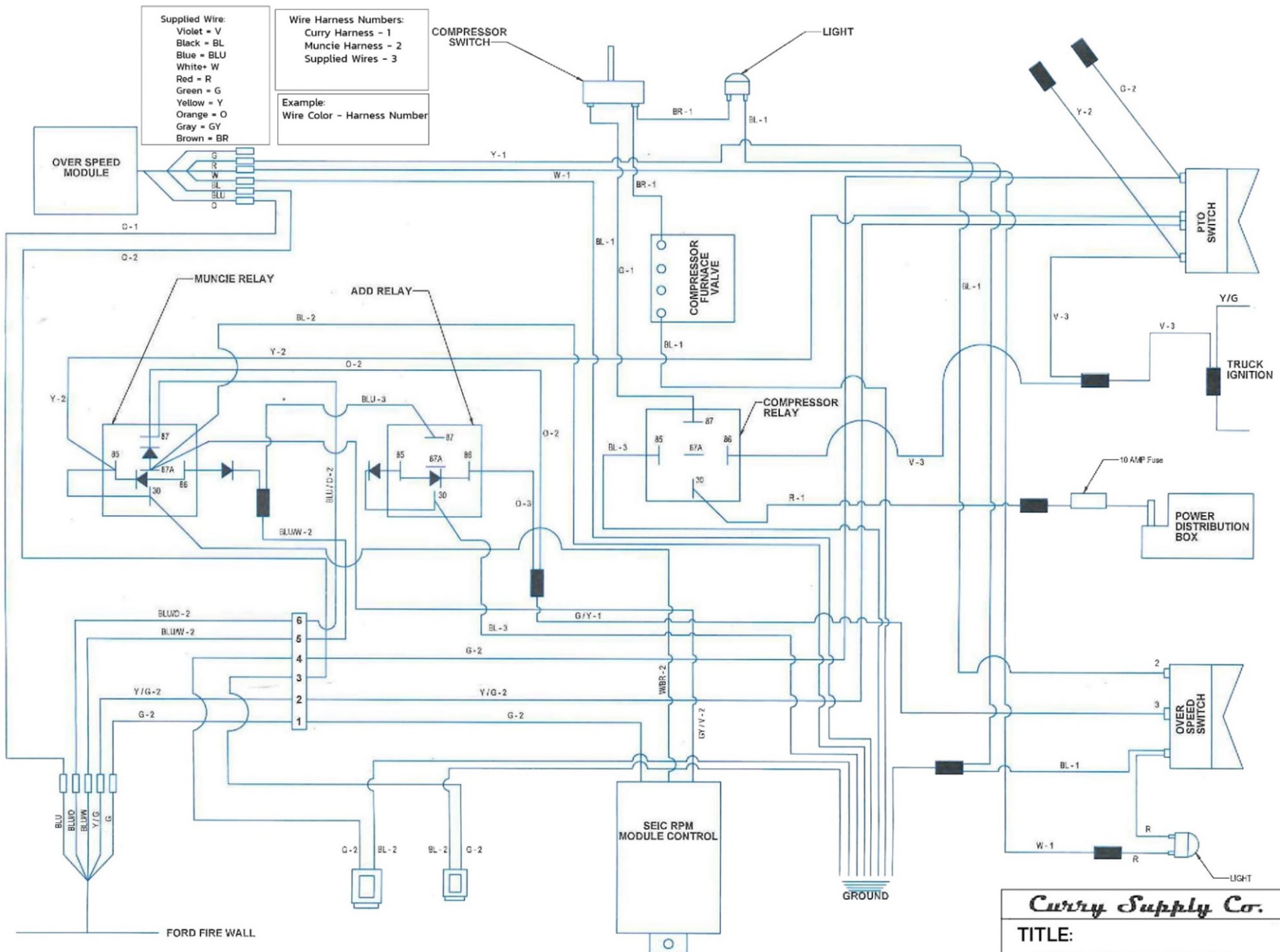
⑥ LOCATED BEHIND RADIO/SWITCHES IN CAB



TITLE: MACK MD PTO WIRING		DATE 7/17/23
SIZE B	DRAWING NO.2187-1026	REV 1
SCALE: NTS	DRAWN BY JS	SHEET 1 OF 1

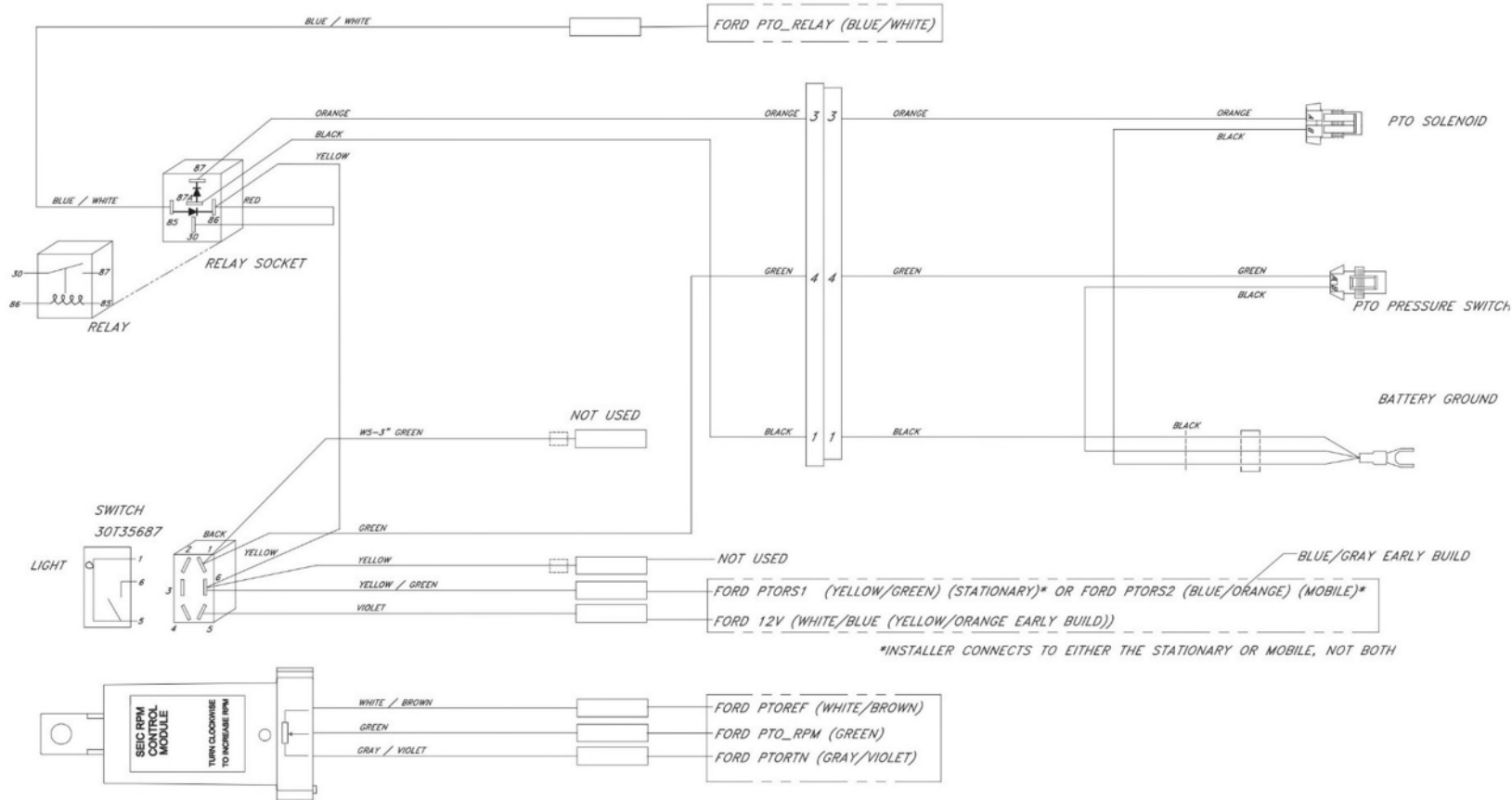


	NAME	DATE	TITLE:	
MODEL BY:	LS	8/16/2022	Mack Water, Stationary Throttle	
DRAWN BY:	LS	8/16/2022	SIZE	DRAWING NO.
PROPRIETARY AND CONFIDENTIAL THE INFORMATION CONTAINED IN THIS DRAWING IS THE SOLE PROPERTY OF CURRY SUPPLY COMPANY. ANY REPRODUCTION IN PART OR AS A WHOLE WITHOUT THE WRITTEN PERMISSION OF CURRY SUPPLY COMPANY IS PROHIBITED.			B	1630-3700
			SCALE: 1:2	WEIGHT:
			SHEET 1 OF 1	



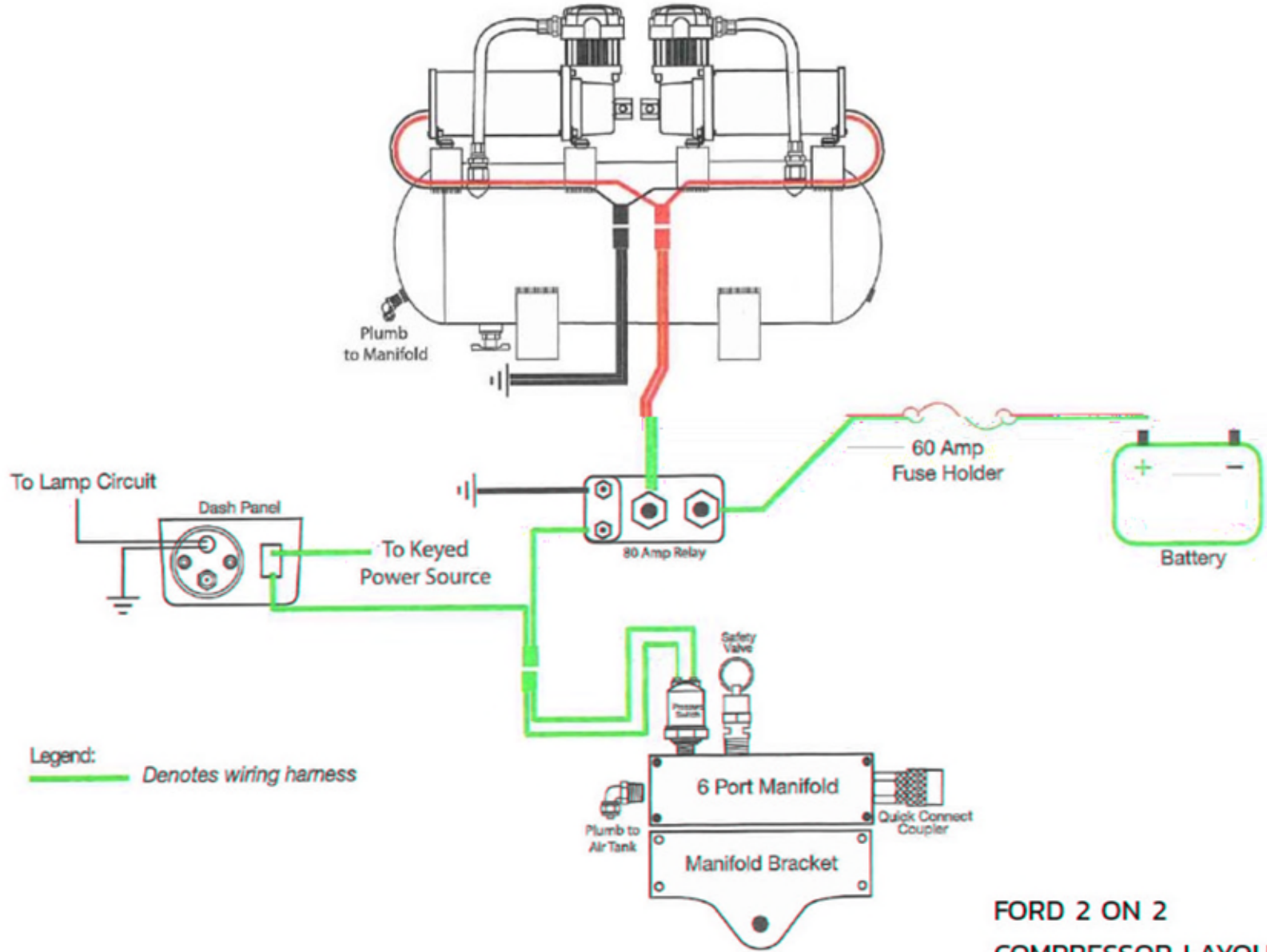
Curry Supply Co.
TITLE:
F650 WATER TRUCK
WIRING DIAGRAM

FR6Q-F1209-D3*X Wire Harness Schematic - (34T41671)
2016 & Earlier F-250-F-550 Super Duty Diesel Stationary
F-650/750 (2012-2015 with SEIC Controls) OR Mobile Mode Application



FR6Q1209D3*X WIRE HARNESS #34T41671 Wire Color, Pin#, Circuit # Reference (Mobile OR Stationary Mode)

Harness Wire Color	Circuit Intent	Ford Wire Tag	PCM Pin	Circuit No.	Ford Wire Color	
					Stationary Mode	Mobile Mode
Blue/White	Output	PTO_RELAY	C-11	CE326	Blue/White	Blue/White
Yellow/Green	Input (VPWR)	PTORS1/ PTORS2	C-06	CE912	Yellow/Green	Blue/Orange (Blue/Gray-Early Build)
White/Brown	Reference Voltage	PTOREF	C-55	LE434	White/Brown	White/Brown
Green	Input (Resistor)	PTO_RPM	C-08	CE914	Green	Green
Gray/ Violet	PCM Ground	PTORTN	C-22	RE327	Gray/Violet	Gray/Violet
Violet	12Vdc Power				White/Blue (Yellow/Orange-Early Build)	White/Blue (Yellow/Orange-Early Build)



**FORD 2 ON 2
COMPRESSOR LAYOUT**